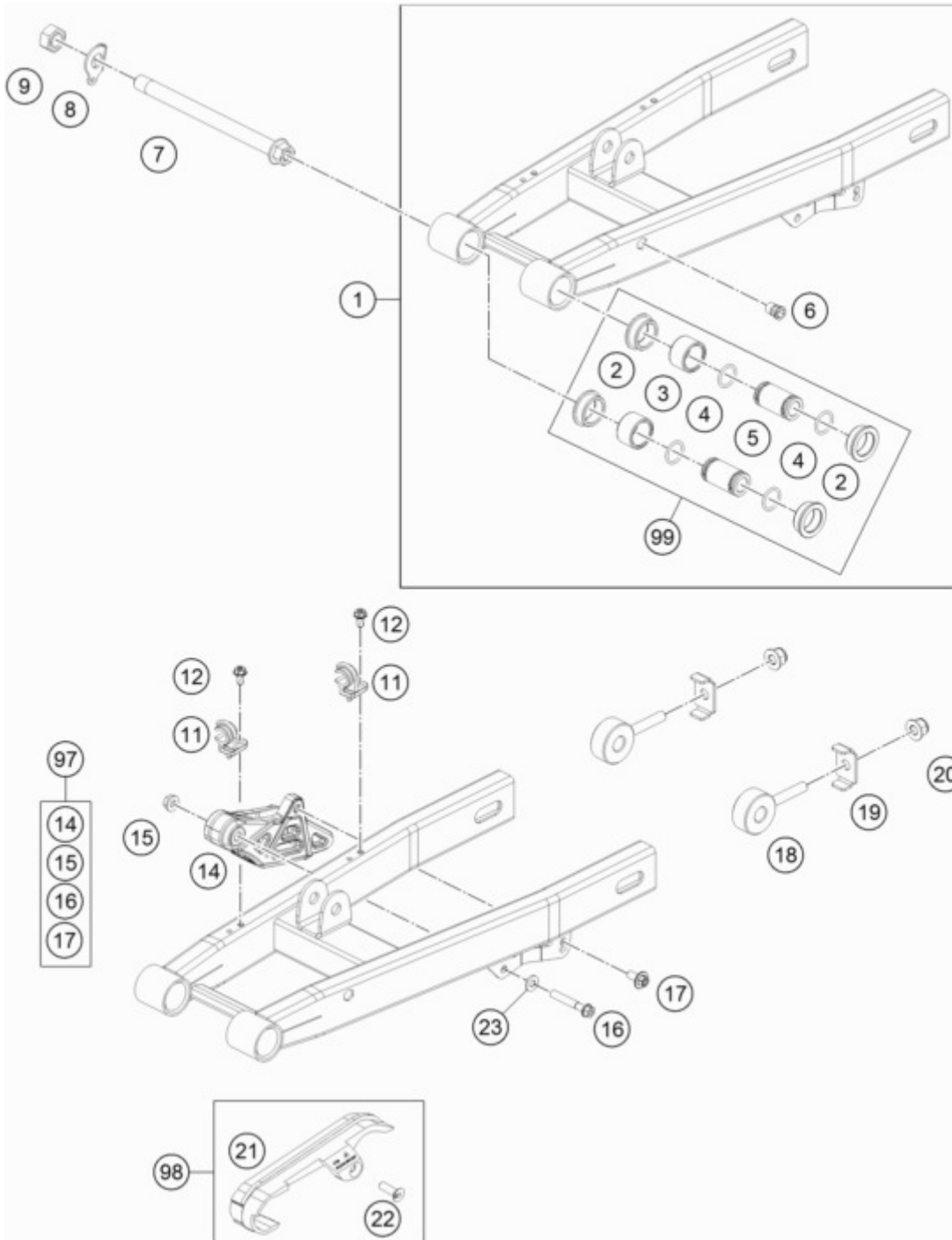




50 SX <2017> <EU> <F6001Q4>

SWING ARM

C174530490



Pos	Item Number	Description	Qty
1	4530403004491	SWING ARM CPL. 50 SX 2016	1
2	46004030070	SPACER BUSHING 20X26X30X9,7	4
3	54603097000	NEEDLE BUSH HK 2016	2
4	0770160021	O-RING 16,00X2,00 VITON	4
5	46004030071	BUSHING BOX 12X20X36,5	2
6	55003139900	BLIND RIVET THREAD M6 STE. 4MM	1
7	45103014144	SWING ARM BOLT CPL. 2004	1
8	45213053000	LOCK WASHER 50 SX	1
9	0934120103	HEXAGON NUT DIN0934-M12X1	1
11	54611076100	RETAIN.CLAMP FOR BRAKE HOSE'96	2
12	0009050106	EJOT SPIRAL SCREW SF M5X10-K	2

14	46304070000	CHAIN GUIDE	1
15	56509064100	SELF LOCKING NUT M6 10.9	1
16	0025060406	HH COLLAR SCREW M6X40 TX30	1
17	0024060136	HH COLLAR SCREW M6X13 TX30	1
18	45010083000	CHAIN ADJUSTER	2
19	45010083060	SUPPORTING BRACKET	2
20	0926080003	STOP NUT DIN6926 M8 SS	2
21	45204066000	CHAIN SLIDING GUARD	1
22	0991060202	FLAT HEAD DIN7991-M 6X20	1
23	0125060003	WASHER DIN0125-A 6,4	1
97	46304070044	CHAIN GUIDE KIT MINI	1
98	45204066010	CHAIN GUARD KIT 50 SX	1
99	45204230010	SWINGARM REP. KIT 50/65 SX	1