

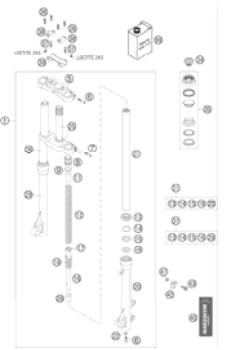
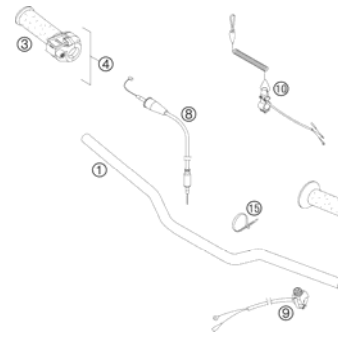

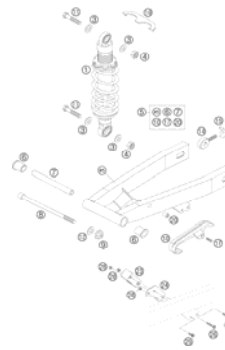
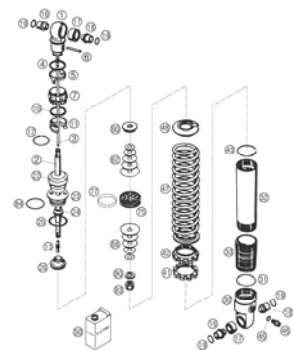
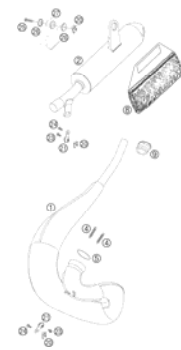
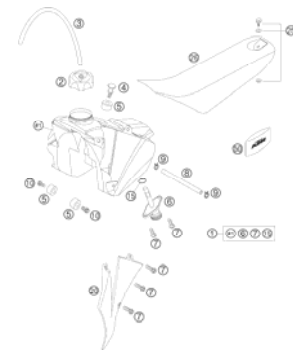
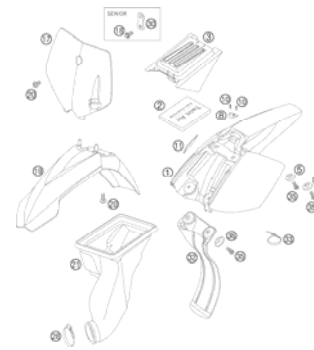

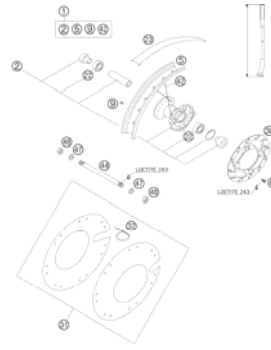
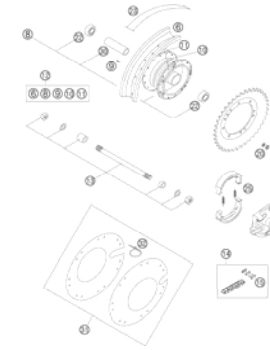
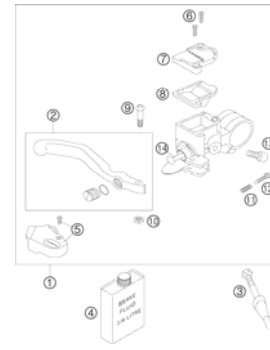
50 SX JUNIOR 2006

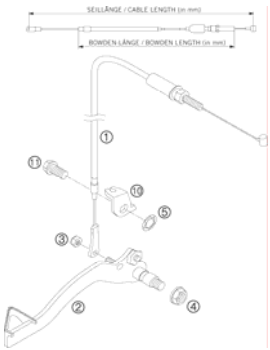

SPARE PARTS MANUAL: CHASSIS

ART.NO.: 3CF6001F3EN

ENGLISH



<p>FRONT FORK</p>  <p>3</p>	<p>HANDLEBAR, CONTROLS</p>  <p>5</p>	<p>FRAME, SIDE STAND</p>  <p>6</p>	<p>SWINGARM, MONOSHOCK</p>  <p>7</p>
<p>MONOSHOCK DISASSEMBLED</p>  <p>8</p>	<p>EXHAUST SYSTEM</p>  <p>10</p>	<p>TANK, SEAT, COVER</p>  <p>11</p>	<p>MASK, FENDERS</p>  <p>12</p>
<p>DECAL</p>  <p>13</p>	<p>FRONT WHEEL</p>  <p>14</p>	<p>REAR WHEEL</p>  <p>15</p>	<p>HAND BRAKE CYLINDER</p>  <p>16</p>

<p>REAR BRAKE CONTROL</p>  <p>SEILLÄNGE / CABLE LENGTH (in mm) BOWDEN LÄNGE / BOWDEN LENGTH (in mm)</p> <p>17</p>	<p>BRAKE CALIPER FRONT</p>  <p>18</p>		
	<div data-bbox="638 1077 772 1380" data-label="Image"> </div> <p>All information contained is without obligation. KTM-Sportmotorcycle AG particularly reserves the right to modify any equipment, technical specifications, prices, colors, shapes, materials, services, service work, constructions, equipment and the like so as to adapt them to local conditions or to cancel any of the above items, all without previous announcement and without giving reasons. KTM may stop manufacturing certain models without previous notice. KTM shall not be held liable for any deviations of availability and/or ability to deliver, illustrations, descriptions, printing and/or other errors. The illustrated models partly contain extra equipment, which is not applied to standard models. © 2004 by KTM-SPORTMOTORCYCLE AG, Mattighofen AUSTRIA; All rights reserved; Reprint, also in extracts, with written allowance of KTM-SPORTMOTORCYCLE AG, Mattighofen only.</p>		

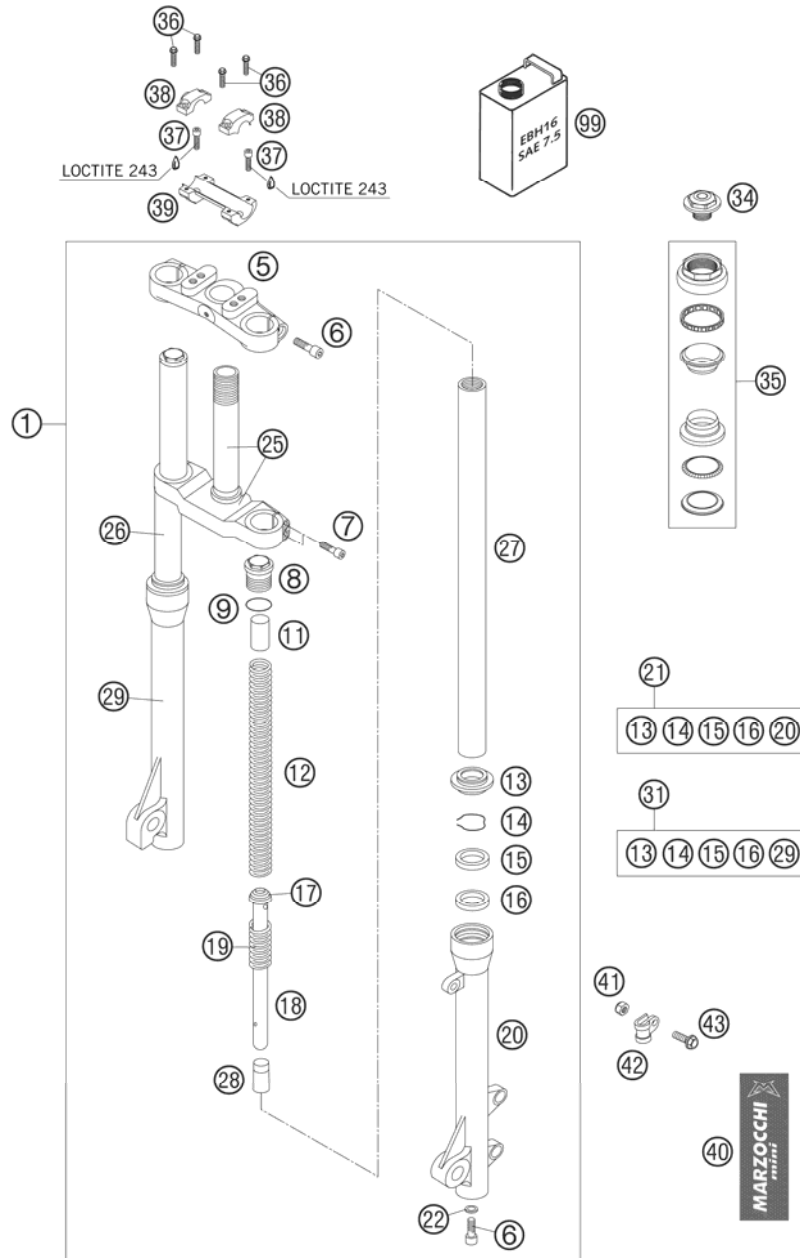


FIG	PART NUMBER	DESCRIPTION	QTY
1	45101000444	FORK CPL. SX JUN MARZ. 2002	1
5	7501476A	TOP FORK PLATE	1
6	0912080303	AH SCREW DIN0912-M 8X30	2
7*	0912060253	AH SCREW DIN0912-M 6X25	4
8	7504212AC	PLUG CAP	2
9	7528010	O-RING	2
11	7518031	PRE LOAD BUSH L=55MM 2002	2
12	75141169	SPRING 2N/MM	2
12	75141214	SPRING 2,5N/MM	x
13	7533297	DUST SEAL	2
14	7523264	STOP RING	2
15	7528230	OIL SEAL 32/42/6,5-9,5	2
16	7522166AA	WASHER D42X32,5X1,5	2
17	7524157	PISTON RING D32	1
18	7803936/A	ONLY FOR REBOUND DAMPING PISTON ROD REBOUND JUNIOR 02	1
18	7803938/A	REBOUND DAMPING - LEFT SIDE PISTON ROD COMPRESSION JUN. 02	1
19	75141015	COMPRESSION DAMP.- RIGHT SIDE REBOUND SPRING	2
20	75031570A	SLIDER L/S 50 LC 2002	1
21	75031570A/R	SLIDER CPL. L/S 50LC 2002	1
22	7522225	WASHER 14X8X1,5	2
25	77051124	BOT. FORK PLATE CPL. MINI/JUN	1
26	7708247/R	FORK TUBE R/S MINI/JUN. 02	1
27	7708248/R	FORK TUBE L/S MINI/JUN. 02	1
28	7512068	FOOT BUFFER	2
29	75031571A	SLIDER R/S 50 LC 2002	1
31	75031571A/R	SLIDER CPL. R/S 50LC 2002	1
34	50301036000	STEER.HEAD SCREW M20X1,5 WS=27	1
35	45101081100	STEER.STEM B. CPL. 50 SXR 2003	1
36	0015080303	HH COLLAR SCREW M 8X30 WS=10	4
37	0912100250	AH SCREW DIN6912-M10X25,10.9,L	2
38	50301038000	HANDLEBAR CLAMP D=22MM 2001	2
39	45101039000	HANDLEBAR SUPPORT D=22MM 2001	1
40	7547325	STICKER LEFT SIDE MARZOCCHI	1

064500101 / C064510100

* NEW PART

X AS REQUIRED

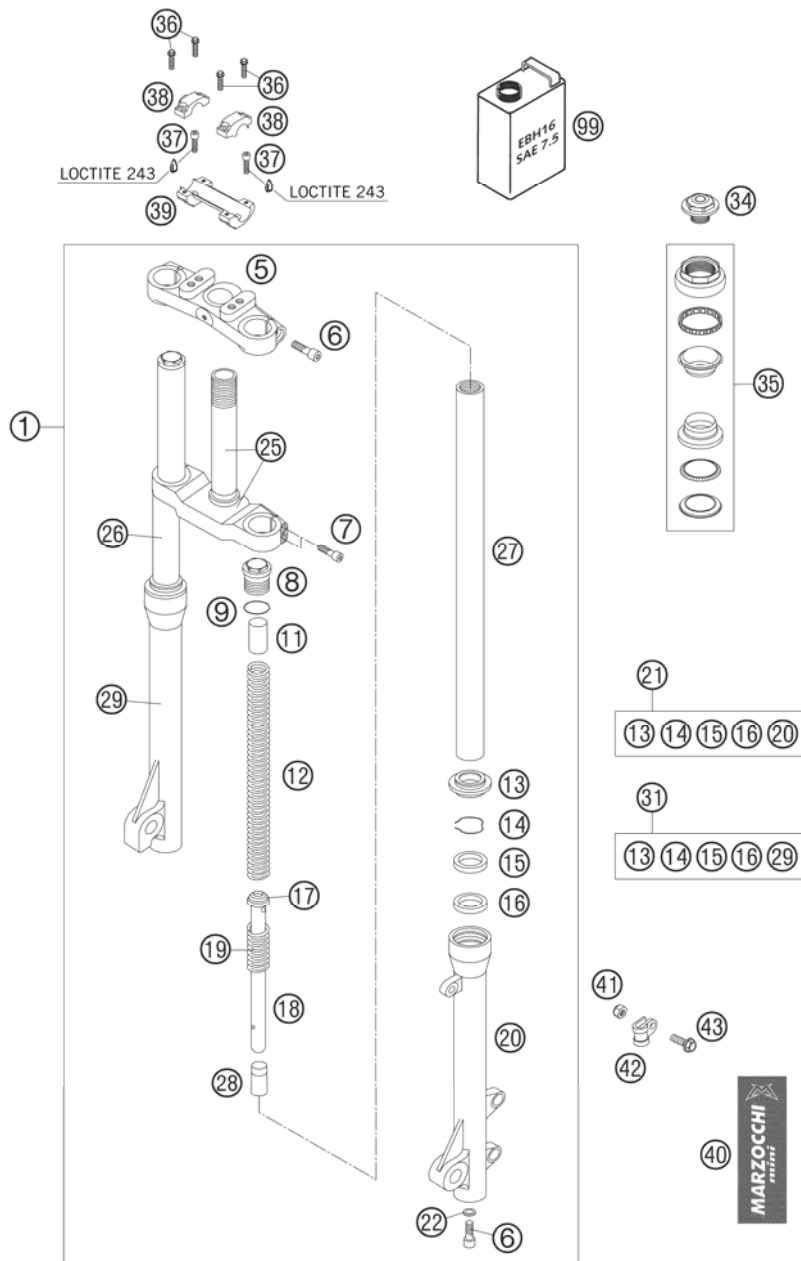


FIG	PART NUMBER	DESCRIPTION	QTY
40	7547331	STICKER RIGHT SIDE MARZOCCHI	1
41	0985050003	SELF LOCKING NUT DIN0985-M 5	1
42	45001070000	BRAKE CABLE CLAMP RSGU 9/12	1
43	0015050203	HH COLLAR SCREW M 5X20 WS=8	1
99	7550013	FORKOIL EBH16 SAE 7.5	1

064500101 / C064510100

* NEW PART

X AS REQUIRED

HANDLEBAR, CONTROLS

50 SX JUNIOR 2006

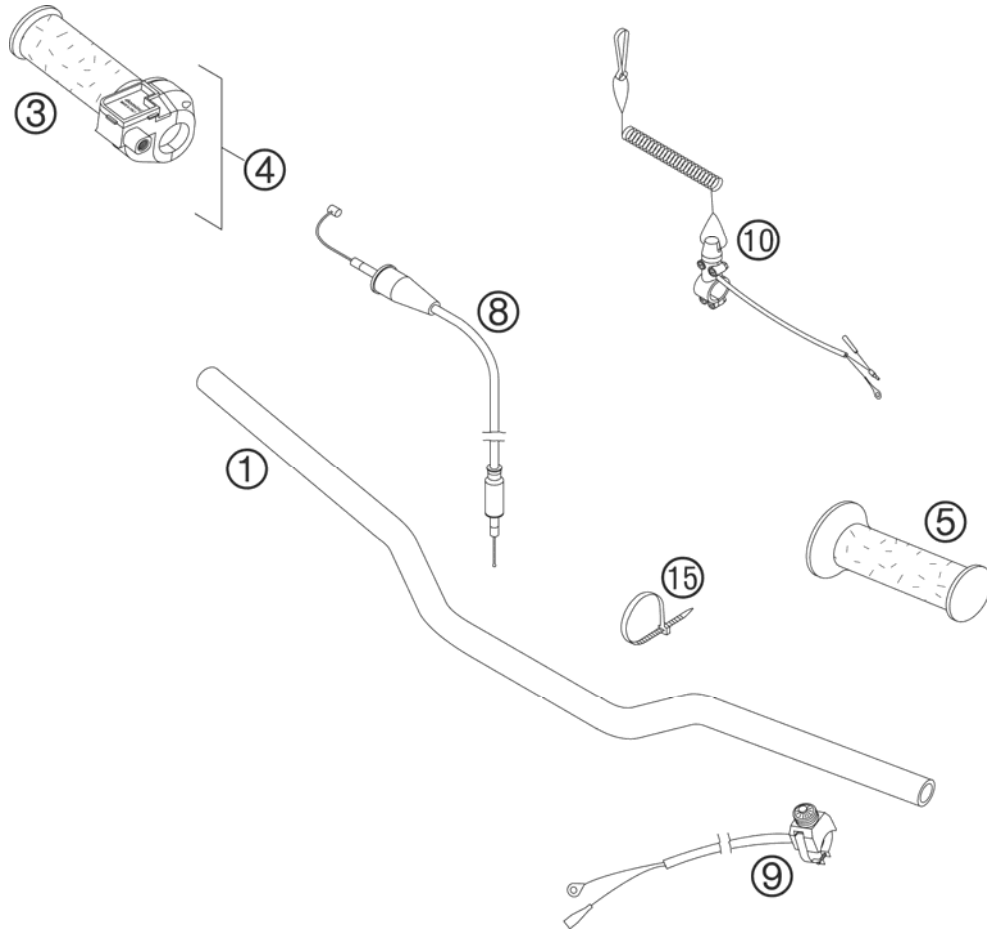


FIG	PART NUMBER	DESCRIPTION	QTY
1	45102001000	HANDLEBAR 50 AC+LC 2005	1
3*	45002003000	TWIST GRIP COVER DOMINO	1
4	45002010000	TWIST GRIP CPL. 50 SXR	1
5	45002039000	RUBBER GRIP	1
8	45102091100	THROTTLE CABLE JUN.762/644 02	1
9	50311089200	SHORT CIRCUIT BUTTON 02	1
10	45011089044	S.CIRCUIT BUTTON W. RIP CORD	x
15	44011076100	CABLE TIE 100/2,5MM BLACK	x
15	44011076200	CABLE TIE 200/3,6MM BLACK	x

064510200 / C064510200

* NEW PART

X AS REQUIRED

FRAME, SIDE STAND

50 SX JUNIOR 2006

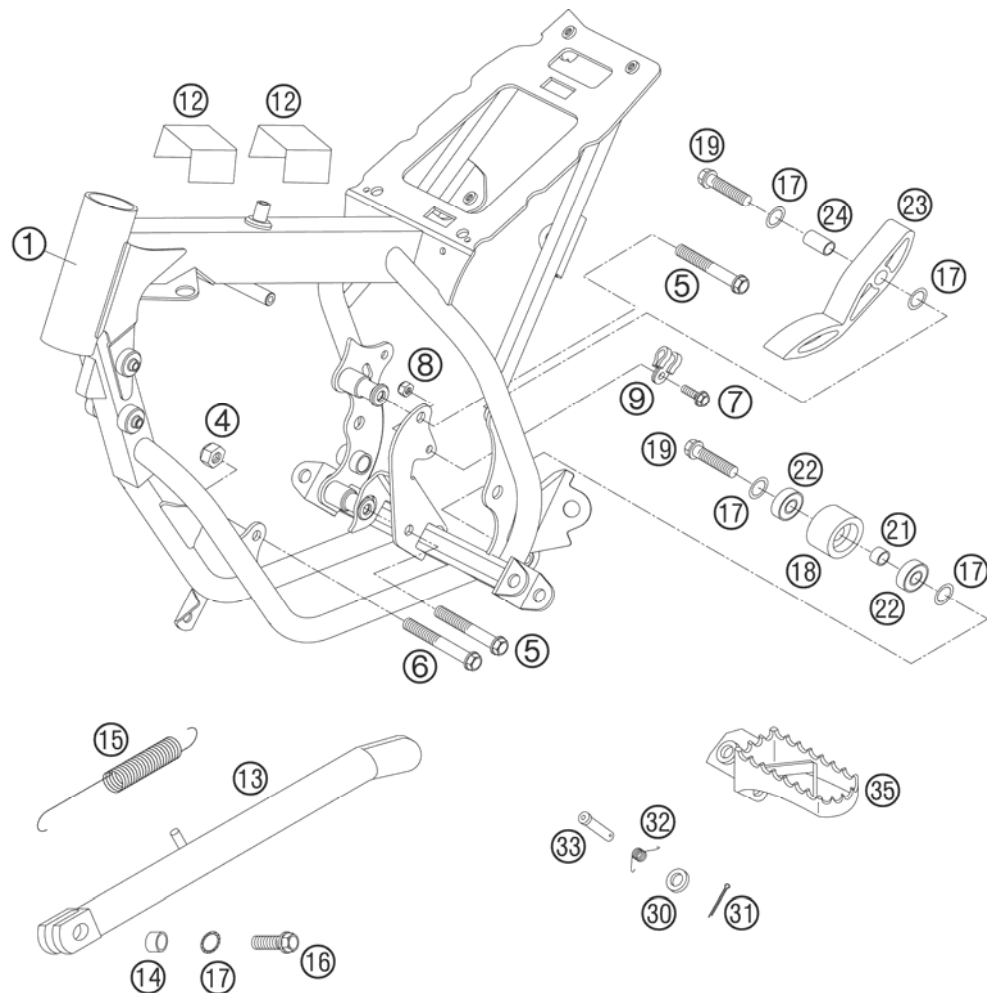


FIG	PART NUMBER	DESCRIPTION	QTY
1	45103001000	FRAME PRO JUNIOR LC "ME2R" 02	1
4	54310086200	SELF LOCKING NUT M8 10.9	1
5	0015080603	HH COLLAR SCREW M 8X60 WS=10	2
6	0015080653	HH COLLAR SCREW M 8X65 WS=10	1
7	0015050123	HH COLLAR SCREW M 5X12 WS=8	1
8	0985050003	SELF LOCKING NUT DIN0985-M 5	1
9	45001070000	BRAKE CABLE CLAMP RSGU 9/12	1
12	58711054050	METAMOLL FOR BATTERY BRACKET	2
13	4510302320090	SIDE STAND L=285MM SILVER 02	1
14	45103023250	BUSHING FOR SIDE STAND 02	1
15	51003021000	SIDESTAND SPRING LONG	1
16	0015080203	HH COLLAR SCREW M 8X20 WS=10	1
17	36003014000	LOCK WASHER 8MM	5
18	50203053000	CHAIN ROLL D=30MM	1
19	0015080303	HH COLLAR SCREW M 8X30 WS=10	2
21	74003021000	BUSHING 8.2 X 12 X 6	1
22	0625006087	GROOVED BALL BEAR. 608 2RS C3	2
23	51103053000	CHAIN SLIDING PIECE BELOW '97	1
24	51103053051	BUSHING 8,2X10X20	1
30	0125100003	WASHER DIN0125-A10,5	2
31	0094032253	PIN DIN0094-3,2X25 STEEL	2
32	54603041000	FOOTREST SPRING L/S & R/S	2
33	54803044000	BOLT FOR FOOT PED 03	2
35	5460304000090	FOOT REST L/S SILVER	1
35	5460314000090	FOOT REST R/S SILVER '98	1

05451030 / C064510300

* NEW PART

X AS REQUIRED

SWINGARM, MONOSHOCK

50 SX JUNIOR 2006

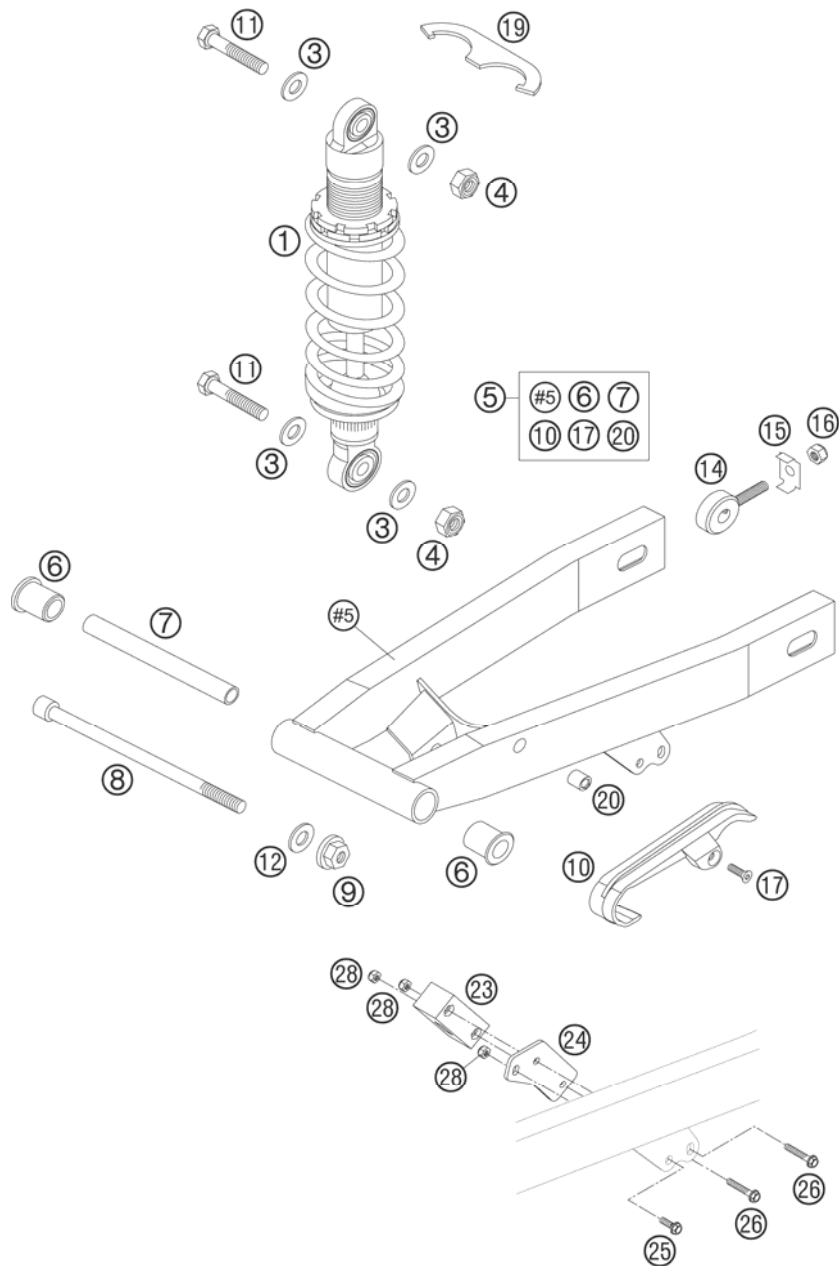


FIG	PART NUMBER	DESCRIPTION	QTY
1*	03189B01	MONOSHOCK 50 SX JUNIOR LC 06	1
3	0125100003	WASHER DIN0125-A10,5	4
4	0982100003	SELF LOCK.NUT DIN0982-M10 HIGH	2
5	45104030044	SWINGARM CPL. JUN. ADV.+LC 02	1
6	45004031000	BUSHING BOX L=30 MM	2
7	45004039000	SPACING TUBE 10X13X140 MM	1
8	45103014000	SWING ARM BOLT M10X158,5 02	1
9	49009082000	SELF LOCKING NUT M10 FK8	1
10	45104066000	CHAIN SLID. GUARD FRO. MINI 02	1
11	0931100453	HH SCREW DIN0931-M10X45	2
12	31004001100	WASHER 10,5 X 21 X 3	1
14	45010083000	CHAIN ADJUSTER	2
15	45010083060	SUPPORTING BRACKET	2
16	0985080003	SELF LOCKING NUT DIN0985-M 8	2
17	0991060203	FLAT H.SCREW DIN7991-M6X20 8.8	1
19	45004010090	HOOK WRENCH 50 SXR	1
20	55003139900	BLIND RIVET THREAD M6 STE. 4MM	1
23	45004070000	CHAIN GUIDE REAR	1
24	45104170000	BRACKET FOR CHAIN GUARD 02	1
25*	0015050123	HH COLLAR SCREW M 5X12 WS=8	1
26	0015050303	HH COLLAR SCREW M 5X30 WS=8	2
28	0985050003	SELF LOCKING NUT DIN0985-M 5	3

064510400 / C064510400

* NEW PART

X AS REQUIRED

MONOSHOCK DISASSEMBLED

50 SX JUNIOR 2006

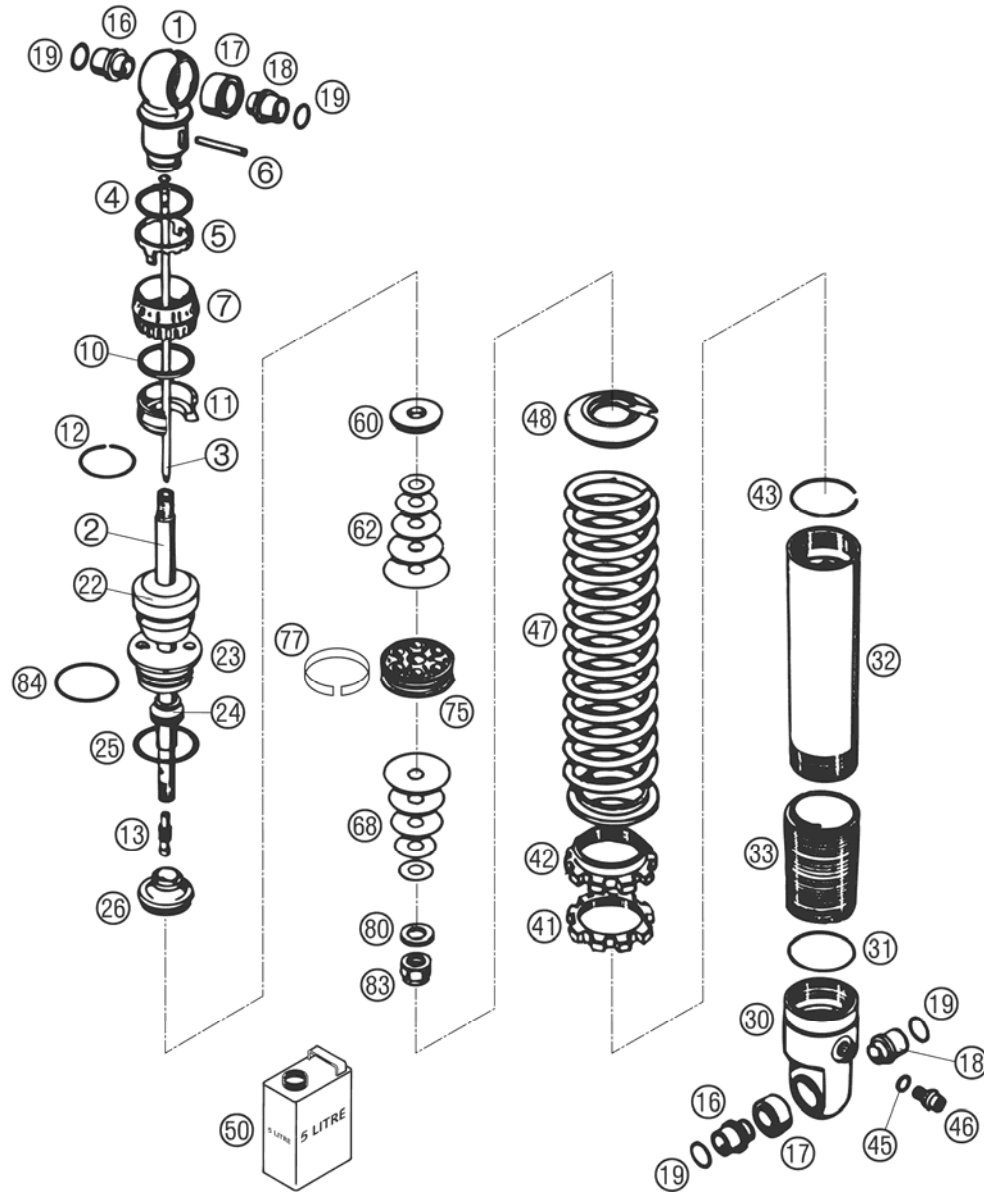


FIG	PART NUMBER	DESCRIPTION	QTY
1	46811495	SHOCK ABS. BOTTOM L=50	1
2	36120570	SPINDEL D=14, L=78 50 JUN. LC	1
3	46811385S	NEEDLE CPL. D=4, L=94	1
4	46811222	O-RING 36X0,5	1
5	46811263	WASHER	1
6	46811261	PIN 4X35	1
7	46811827	ADJ. KNOB D=40 50 JUN. LC	1
10	46811221	O-RING 35X3	1
11	46811367	INTERMEDIATO RING H=4	1
12	46811268	CIRCLIP 22X1,2	1
13	46811259	NEEDLE SEAT 5X17,25	1
16	46811076	ADAPTOR BUSH KGW 10X20	2
17	46811027	BUSHING KGW 1525	2
18	46811078	ADAPTOR KGW 10X24	2
19	46811050	SEAL KGW	4
22	36120427	BUMP RUBBER WP65 L=20	1
23	36120651	SCREW CAP M37,65	1
24	46811044	DUST SEAL 1424	1
25	36120064	O-RING NBR 29,74X3,53	1
26	36120522S1	ADAPTER CPL. D=36 H=20,5	1
30	36120551	SHOCK ABSORBER CASE KGW H=38	1
31*	0770380020	O-RING 38,00X2,00 NBR 70 SH	1
32	36120094	TUBE L=112	1
33	36120388	THREADED BUSH L=45 BLACK	1
41	36120015	COUNTERNUT	1
42	36120418	ADJUSTING NUT	1
43	40540015	CIRCLIP 38X1,5	1
45	46810893	O-RING NBR 5,28X1,78	1
46	36120151	SCREW PLUG M5X6	1
47	93010166	SPRING(46,5/40,5) 85-130 D=9,0	1
48	36120461	SPRING RETAINER D=39	1
50	50180342S1	SHOCK ABSORBER FLUID 5 LT 2003	1
60	36120557	REBOUND BUSH H=5,6	1
62	36120298	SHIM 10X16X0,2	1
62	36120338	SHIM 10X29X0,20	1
62	36120339	SHIM 10X31X0,20	1

04451042 / C064510402

* NEW PART

X AS REQUIRED

MONOSHOCK DISASSEMBLED

50 SX JUNIOR 2006

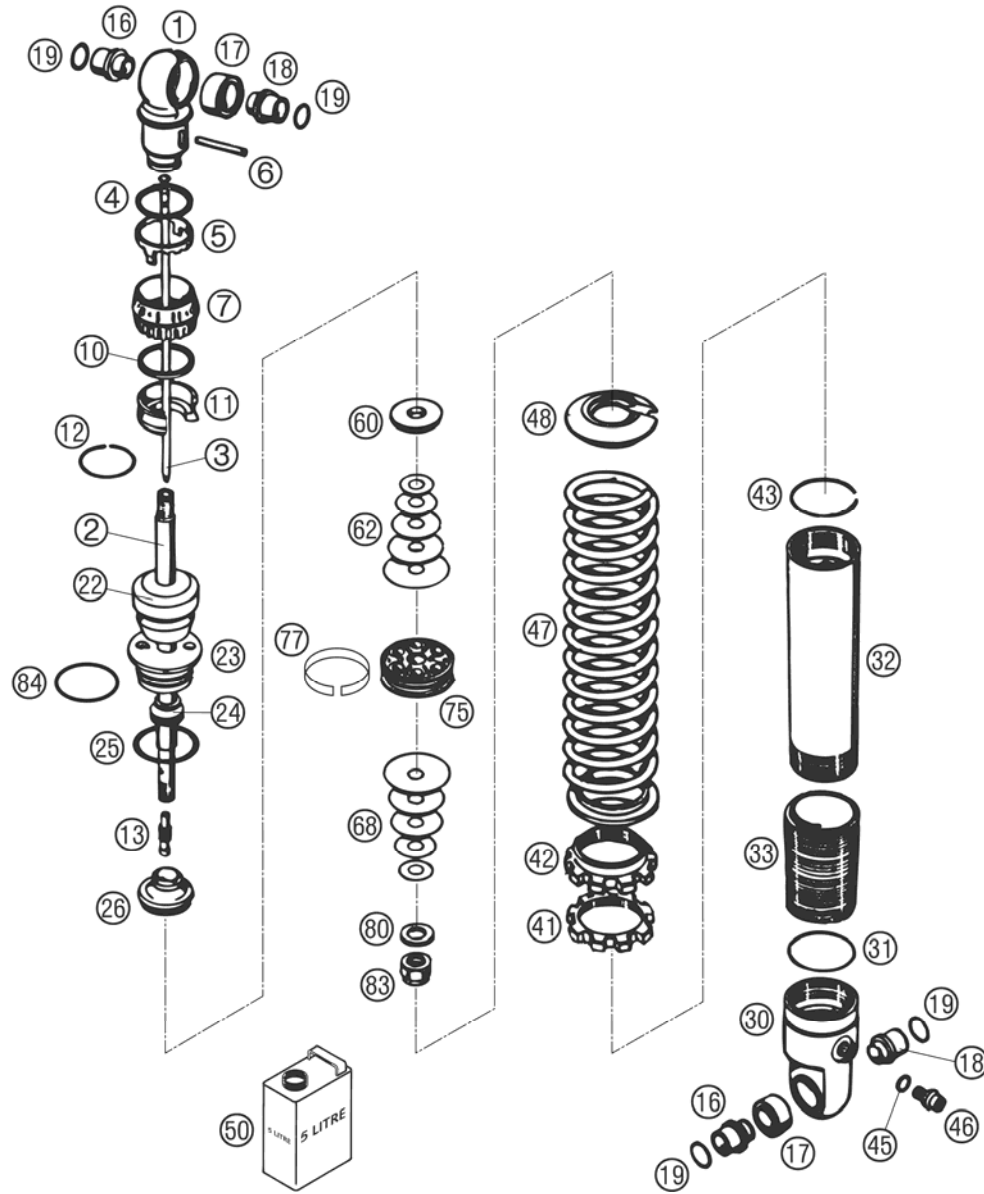


FIG	PART NUMBER	DESCRIPTION	QTY
62	36120340	SHIM 10X33X0,20	1
62	36120343	SHIM 10X23X0,25	1
62	36120344	SHIM 10X25X0,25	1
62	36120345	SHIM 10X27X0,25	1
62	36120350	SHIM 10X21X0,30	1
68	36120312	SHIM 10X16X0,30	1
68	36120327	SHIM 10X23X0,15	1
68	36120328	SHIM 10X25X0,15	1
68	36120334	SHIM 10X21X0,20	1
68	36120336	SHIM 10X25X0,20	4
68	36120655	PRESSURE-RING 27X23,25X0,30	1
75	36120624	PISTON 6+6X5,5/3,5	1
77	36120040	PISTON RING 8X1X108,3	1
80	36120604	SHIM D10XD22X2,5	1
83	36120605S	PISTON ROD NUT CPL. H=15,2	1
84	46811500	O-RING NBR 32X1,5	1

04451042 / C064510402

* NEW PART

X AS REQUIRED

EXHAUST SYSTEM

50 SX JUNIOR 2006

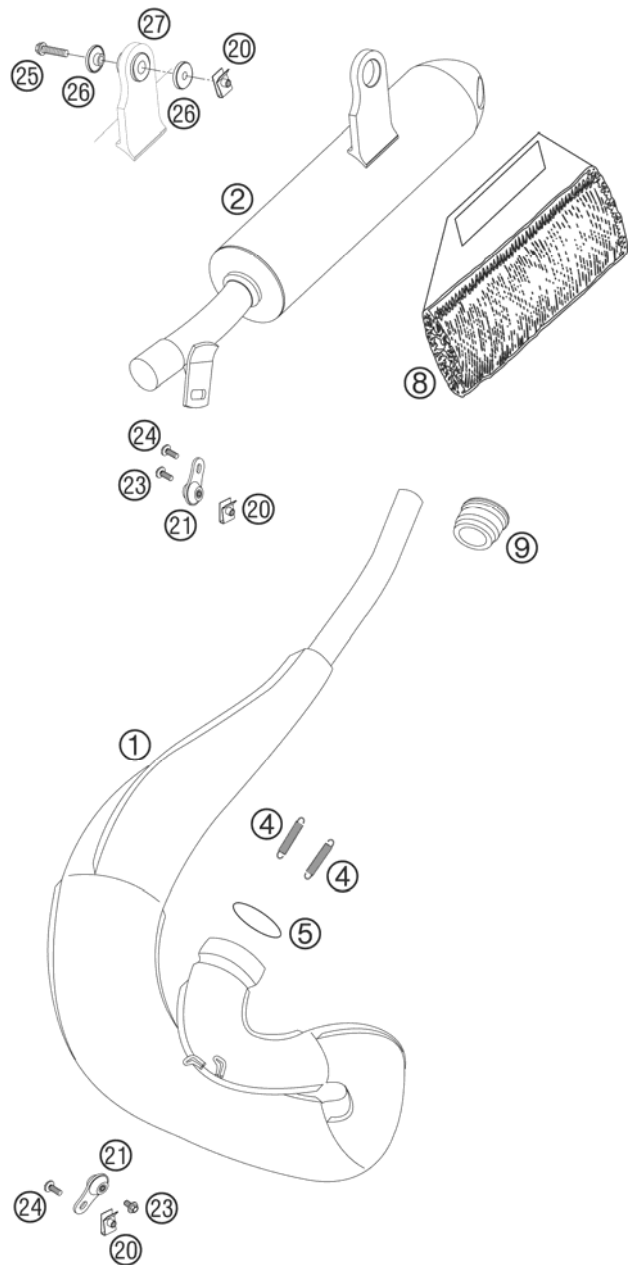


FIG	PART NUMBER	DESCRIPTION	QTY
1	45105007000	EXHAUST PIPE SX JUN/SEN 2001	1
2	45105079100	SILENCER SX JUNIOR 2002	1
4	50305016000	TEN.SPRING L=62MM EY.MOVEABLE	2
5	0770320030	O-RING 32,00X3,00 VITON	1
8	45105079056	ROCKWOOL PREFOMED 50 2002 110 GRAMM TOTAL WEIGHT	1
9	45105057000	EXHAUST RUBBER MINI 2002	1
20	54603048100	RANGE CHANGE METAL NUT M6	3
21	50305012000	SWINGELEMENT FOR EXHAUST PIPE	2
23	0015060123	HH COLLAR SCREW M 6X12 WS=8	2
24	0014060153	HH COLLAR SCREW M 6X15 WS=8	2
25	0015060303	HH COLLAR SCREW M 6X30 WS=8	1
26	54605069000	BUSHING 7,5X12X28X7,8 '96	2
27	54605068000	EXHAUST BRACKET RUBBER BLACK	1

05451050 / C064510500

* NEW PART

X AS REQUIRED

TANK, SEAT, COVER

50 SX JUNIOR 2006

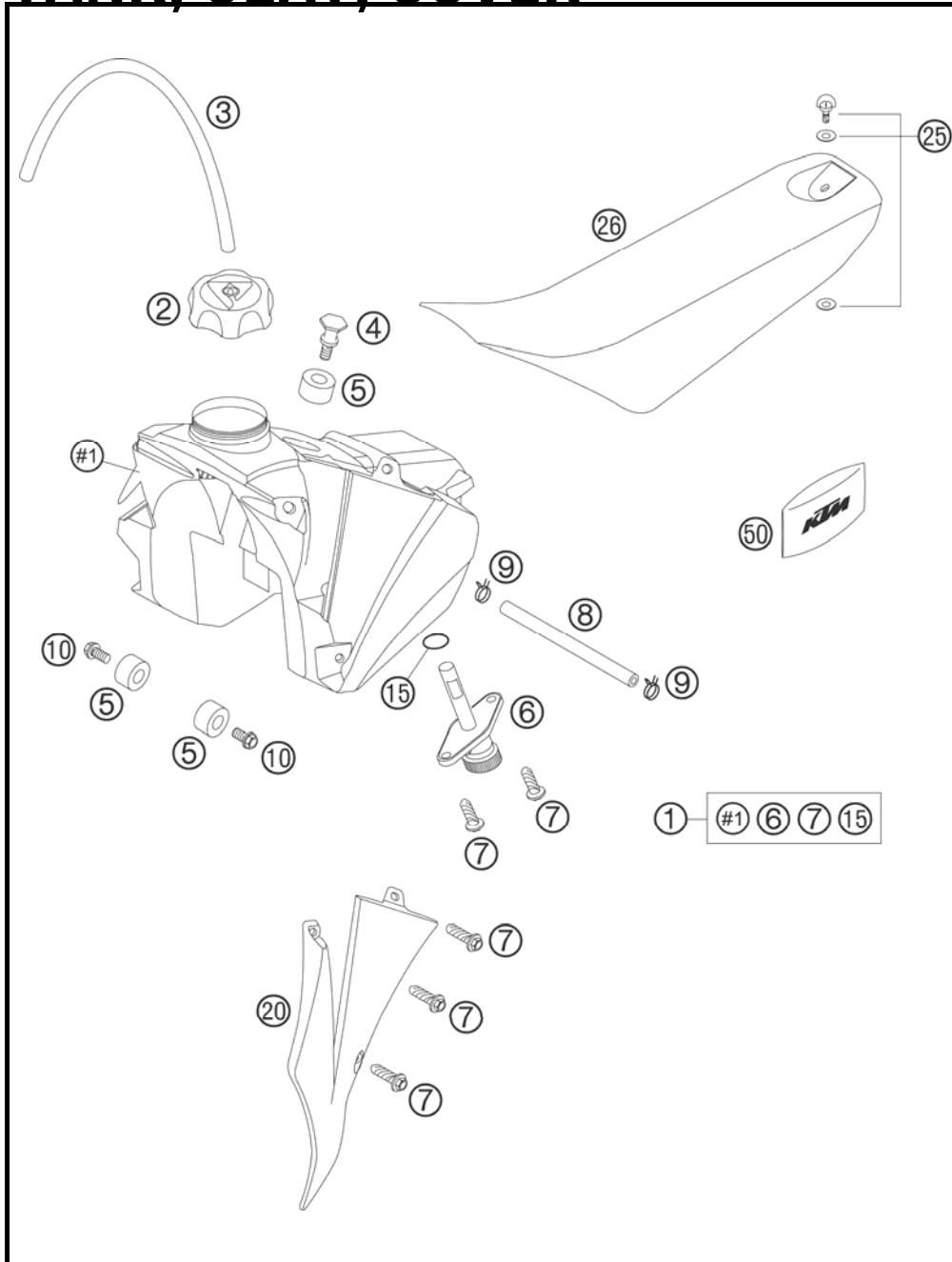


FIG	PART NUMBER	DESCRIPTION	QTY
1	4510701300004	FUEL TANK SX JUN/SEN "LC" 03	1
2	49007008044	FILLER CAP CPL. SMALL	1
3	31007107001	PVC-HOSE 6X9 MM PER METER	x
4	45107011000	TANK SCREW MINI 50 2001	1
5	50307014000	TANK ROLLER 12X26X12 '98	3
6	58507003000	FUEL COCK CPL. SMALL RALLYE'96	1
7	0017060203	EJOT PT SCREW K60X20 WS=6	8
8	58307016001	FUEL HOSE VITON 6X1,5 PER/M	x
9	45031005000	YDNAC-CLAMP FUEL HOSE (8MM)	2
10	0015060123	HH COLLAR SCREW M 6X12 WS=8	2
15	55007006200	O-RING 11X1,8 NBR 70	1
20	4510805000004	SPOILER LEFT SX JUN/SEN 2001	1
20	4510805100004	SPOILER RIGHT SX JUN/SEN 2001	1
25	45007040051	QUICK RELEASE CPL. 50 SXR '97	1
26	45107040500	SEAT 50 AC+LC 2005	1
50	45029099000	TOOL SET 50 MINI, 60/65 SX	1

05451070 / C064510700

* NEW PART

X AS REQUIRED

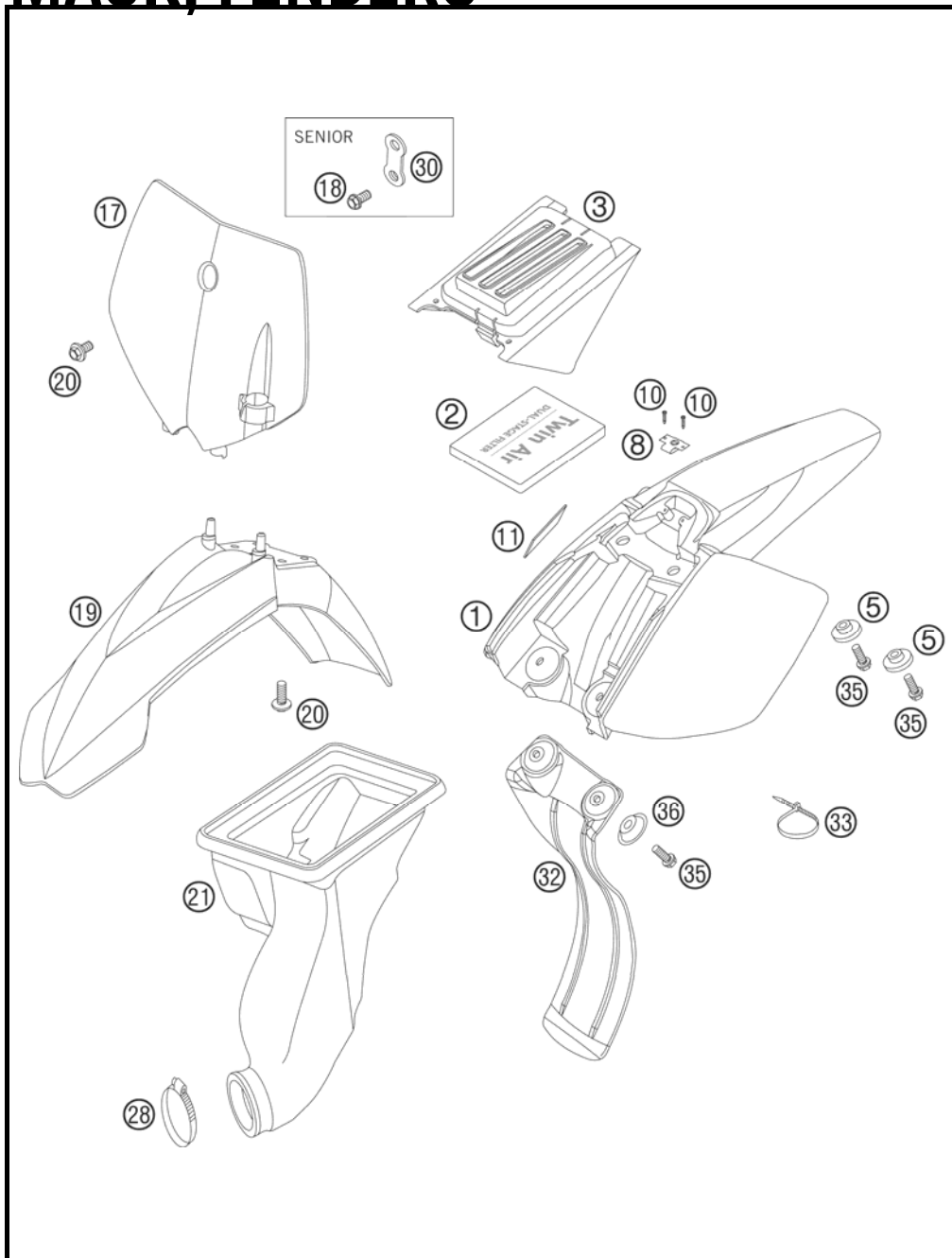


FIG	PART NUMBER	DESCRIPTION	QTY
1	4510801300004	REAR PART 50 MINI ORANGE 2003	1
2	45106015000	AIR FILTER 134X96X15MM 01	1
3	45106012000	FILTER COVER JUN/SEN 2001	1
5	45108013050	BUSH F.REAR P. SX JUN/SEN 2001	2
8	45007040050	QUICK RELEASE LATCHPLATE	1
10	0981350163	SHEET MET.SCR.DIN7981- 3,5X16	2
11	59003001099	METAMOLL 90X45X3MM 03	1
17	4510800700004	NUMBER PLATE SX JUN/SEN 2001	1
18	0015060103	HH COLLAR SCREW M 6X10 WS=8	1
19	4510801000004	FENDER FRONT SX JUN/SEN 2001	1
20	0014060103	HH COLLAR SCREW M 6X10 WS=8	5
21	45106026000	CARBUR.CONNEC.BOOT SXR JUN. 02	1
28	54305058000	HOSE CLAMP 30-45 SGT	1
30	45108007050	BRACKET FOR NUMBER PLATE	1
32	45106010000	SPLASH PROTECTOR JUNIOR 2002	1
33	44011076305	CABLE TIE 300/4,8MM BLACK	2
35	0015060163	HH COLLAR SCREW M 6X16 WS=8	4
36	72210079000	BUCKET	2

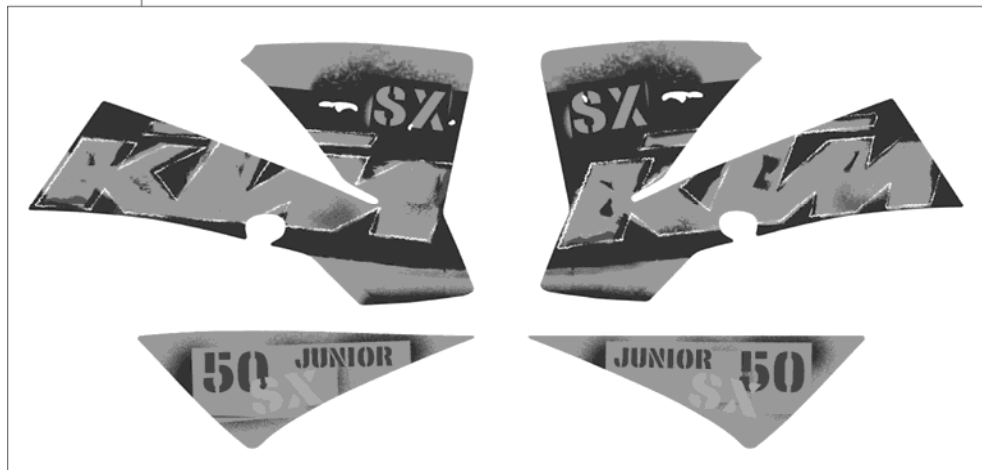
05450080 / C064510800

* NEW PART

X AS REQUIRED

FIG	PART NUMBER	DESCRIPTION	QTY
1*	45108299000	DECAL SET CPL. 50 JUNIOR LC 06	1

①



064510802 / C064510802

* NEW PART

X AS REQUIRED

FRONT WHEEL

50 SX JUNIOR 2006

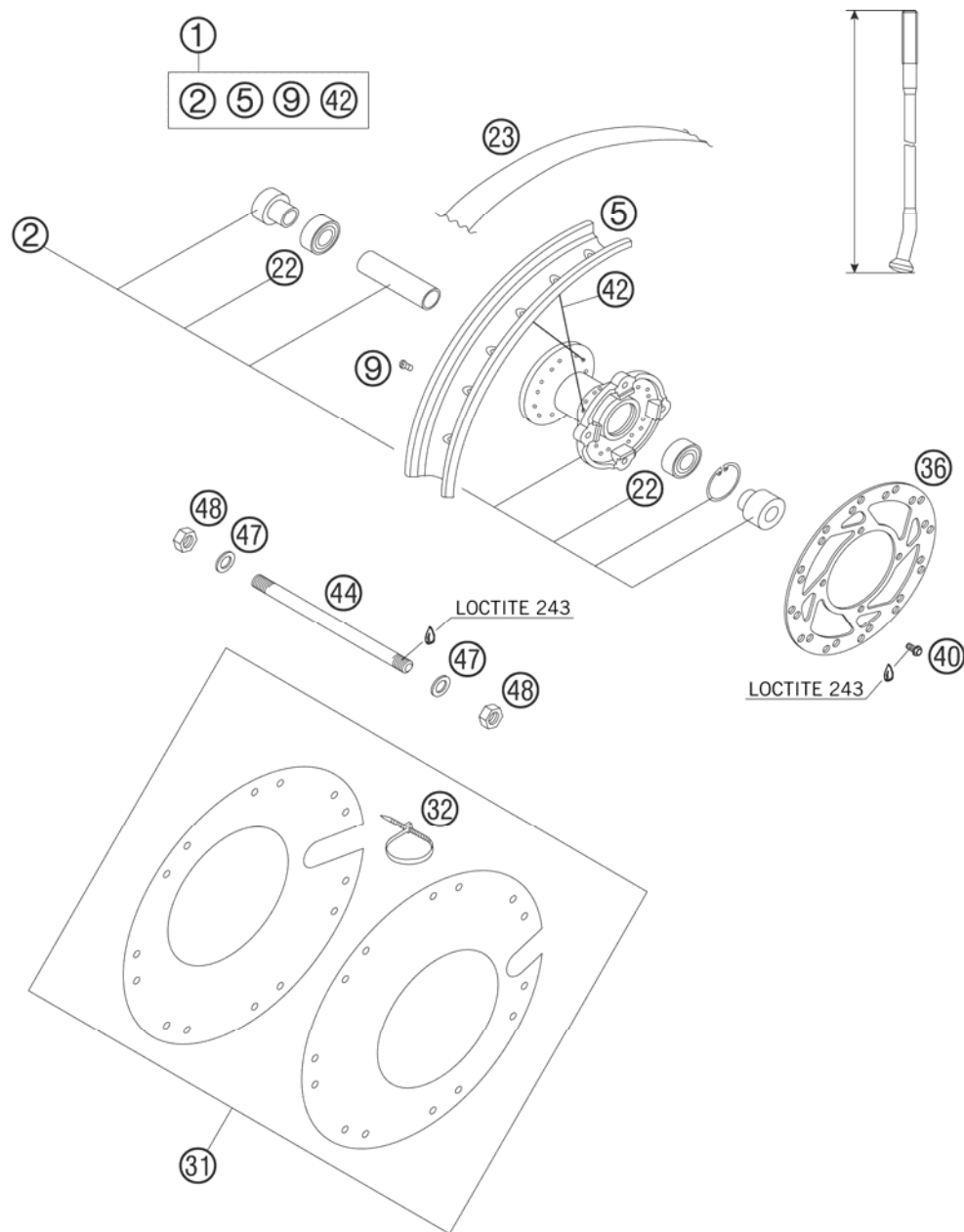


FIG	PART NUMBER	DESCRIPTION	QTY
1	45109001144	FRONT WHEEL-SP CPL.1,6X10" ALU	1
2	45109010044	FRONT WHEEL HUB CPL. 2002	1
5	45109001001	RIM 1,6X10" ALUMINIUM	1
9	45109072000	SPOKE NIPPLE 3MM	28
22	0625062027	BALL BEARING 6202 2RS1 C3	2
23	45009073000	RIM BAND 10" 22MM	1
31	45110092000	WHEEL COVER CPL. 50SX LC 03	1
32	44011076305	CABLE TIE 300/4,8MM BLACK	7
36	45109060000	BRAKE DISC FRONT JUN/SEN 02	1
40	59009062013	SPECIAL SCREW M6X13 WS=8 10.9	4
42	45109071102	SPOKE 3X100X6MM-110°	28
44	46010085000	AXLE 207MM M12X1	1
47	0125120003	FLAT WASHER DIN0125-A13	2
48	0934120103	HEXAGON NUT DIN0934-M12X1	2

05450091 / C064510900

* NEW PART

X AS REQUIRED

REAR WHEEL

50 SX JUNIOR 2006

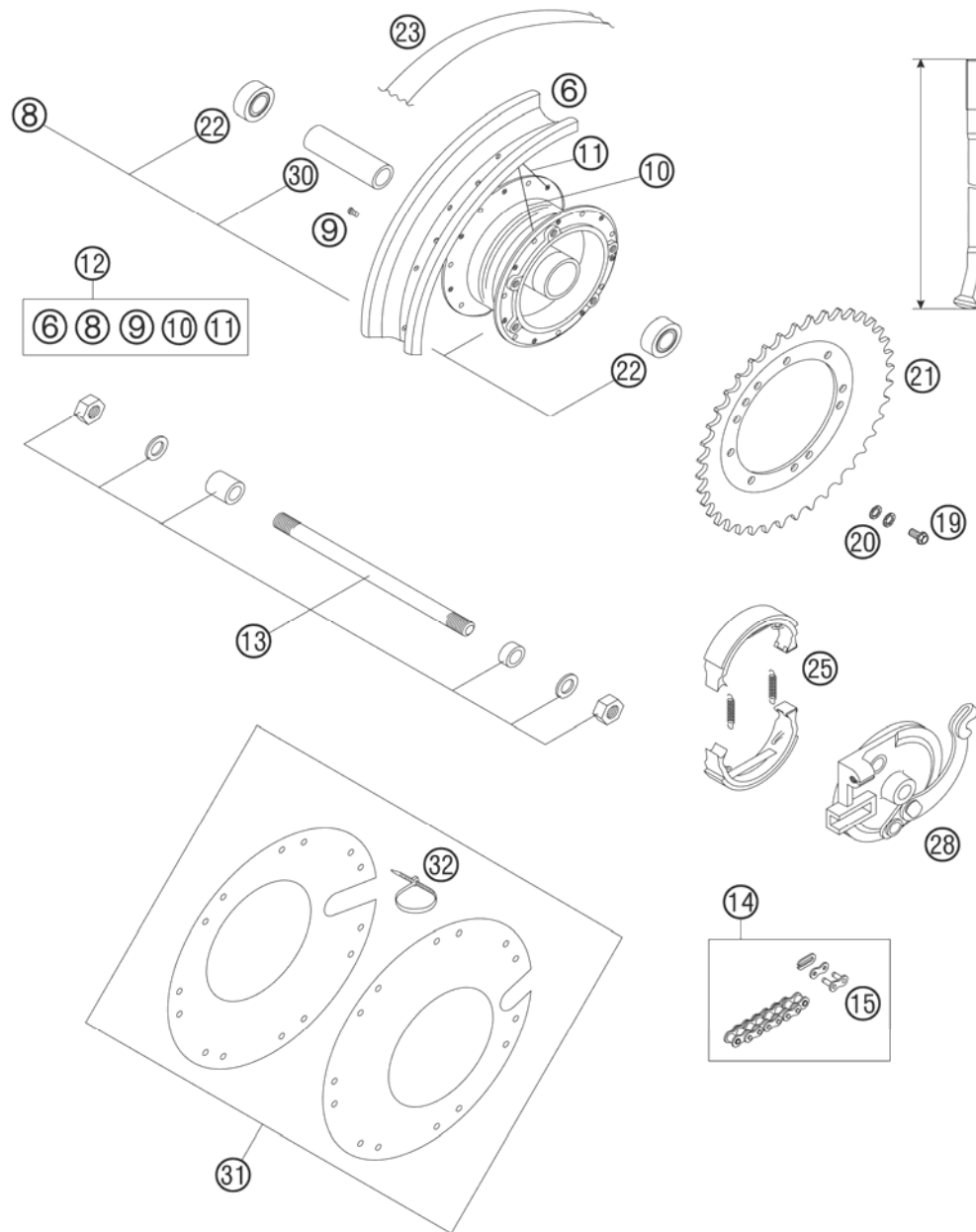


FIG	PART NUMBER	DESCRIPTION	QTY
6	45110070100	RIM REAR 1,6X10" ALU	1
8	45110010244	REAR WHEEL HUB CPL. 2004	1
9	45109072100	SPOKE NIPPLE M 3,97	28
10	45110171072	SPOKE M3,97X72X115° 04	14
11	45110071072	SPOKE M3,97X72X70° 04	14
12	45110001444	REAR WHEEL-SP CPL.1,60X10" ALU	1
13	45010081000	AXLE REAR CPL. L=210MM	1
14	45110265104	CHAIN 1/2X3/16" WITH M.LINK 104 ROLLS	1
15	45110266000	CONNECTING LINK 50 SX	1
19	0015060163	HH COLLAR SCREW M 6X16 WS=8	5
20	50233041000	PAIR OF WASHERS M 6 NORDLOCK	5
21	45010051044	SPROCKET 44-T	x
21	45010051045	SPROCKET 45-T	x
21	45010051046	SPROCKET 46-T	x
21	45010051048	SPROCKET 48-T	1
22	0625060016	GROOV.BALL BEAR. 6001.2RSR C3	2
23	45009073000	RIM BAND 10" 22MM	1
25	45009035000	BRAKE SHOES GARN.	1
28	45010030000	SUPPORTING PLATE CPL. REAR	1
30	45010011000	DISTANCE TUBE REAR	1
31	45110092000	WHEEL COVER CPL. 50SX LC 03	1
32	44011076305	CABLE TIE 300/4,8MM BLACK	7

05450100 / C064511000

* NEW PART

X AS REQUIRED

HAND BRAKE CYLINDER

50 SX JUNIOR 2006

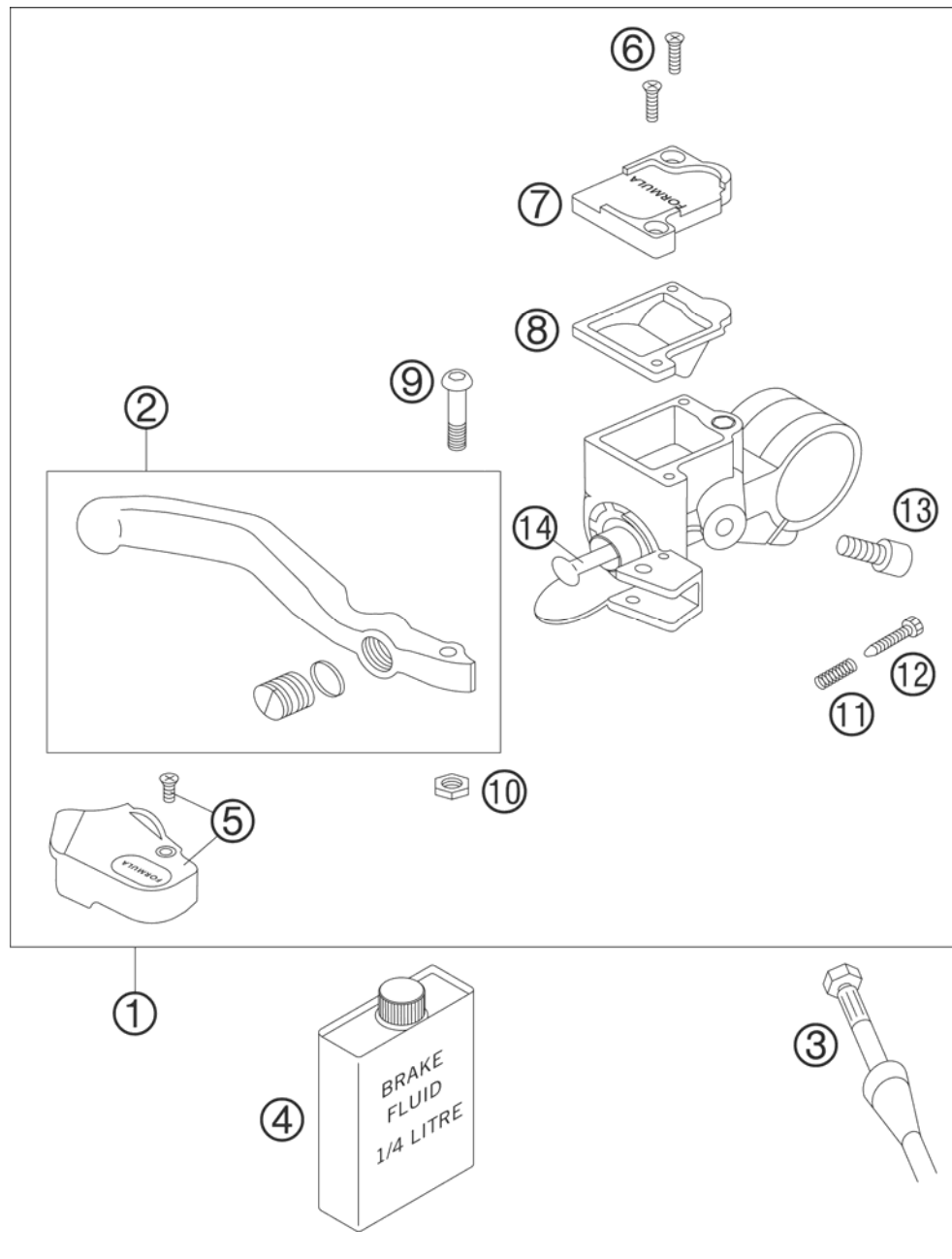


FIG	PART NUMBER	DESCRIPTION	QTY
1	45113101044	HAND BRAKE CYLIND.CPL.50 LC 02	1
2	45113002000	HANDBRAKE LEVER CPL. R/S 02	1
3	45113012000	BRAKE HOSE FR. SX JUN. LC 2002	1
4	306054	BRAKE FLUID DOT 5.1	1
5	45113004000	PROT.CAP HAND BRAKE CYL. 50 LC	1
6	0966030083	OVAL HEAD SCREW DIN0966-M 3X8	2
7	45113003000	HAND BRAKE CYLINDER COVER 04	1
8	45113009000	GASKET HAND BRAKE CYLINDER 04	1
9	45113006000	SPECIAL-AH SCREW M 5X18	1
10	45113013000	NUT M5 DIN 6334	1
11	45113021000	SPRING FOR HAND BRAKE LEVER 04	1
12	45113007000	ADJUSTING SCREW M 3X16 04	1
13	0912050103	AH SCREW DIN0912-M 5X10	1
14	45113008000	REP.KIT PISTON FRONT 50 04	1

05450130 / C064511300

* NEW PART

X AS REQUIRED

REAR BRAKE CONTROL

50 SX JUNIOR 2006

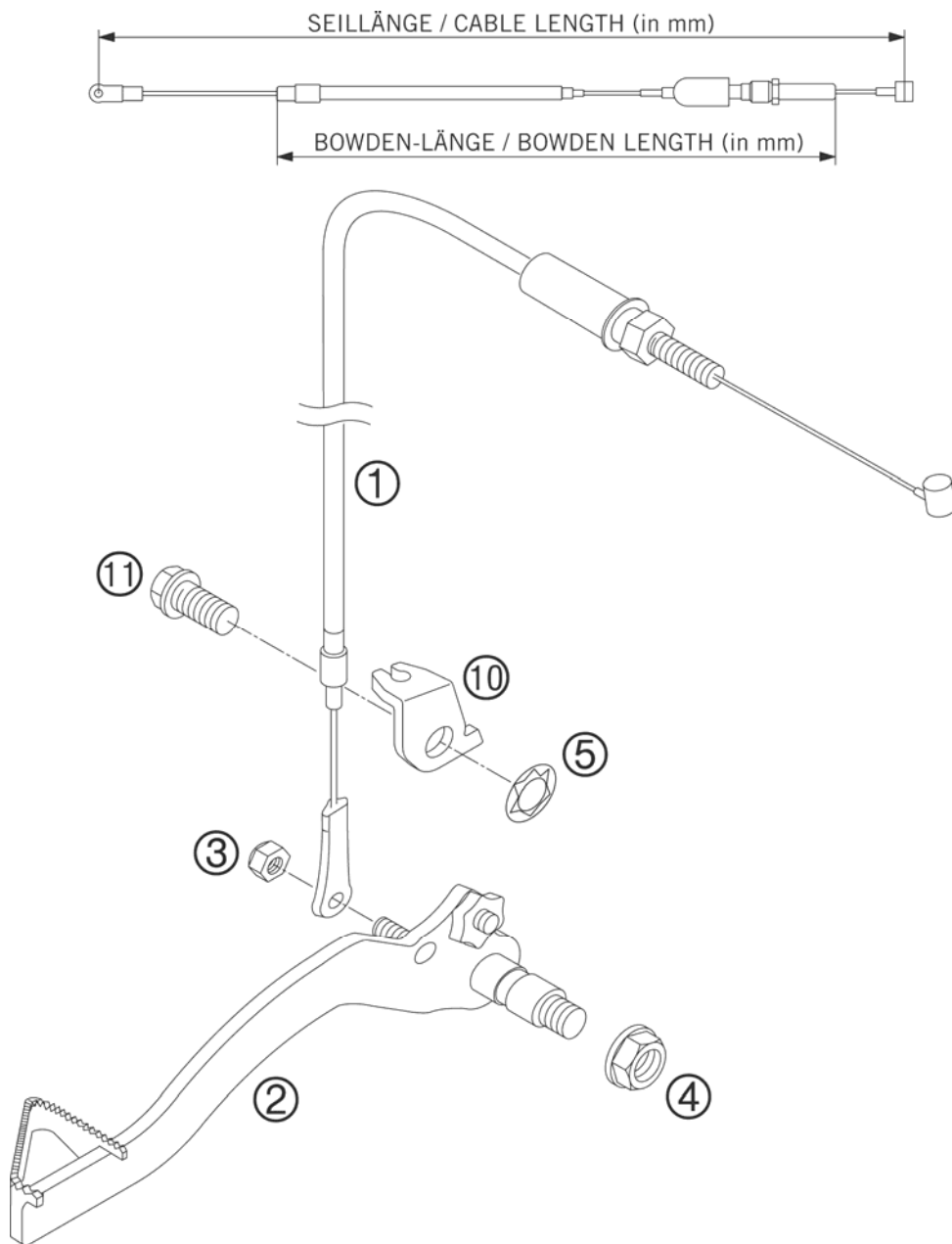


FIG	PART NUMBER	DESCRIPTION	QTY
1	45113070300	FOOT BRAKE CABLE REAR 720/570	1
2	45113050044	FOOT BRAKE LEVER CPL. 2001	1
3	0985050003	SELF LOCKING NUT DIN0985-M 5	1
4	54310086200	SELF LOCKING NUT M8 10.9	1
5	0797080003	TOOTHLOCK WASHER DIN6797-J 8,4	1
10	45113052000	BRAKE THRUST BEARING MINI 2001	1
11	0015080163	HH COLLAR SCREW M 8X16 WS=10	1

05450120 / C064511302

* NEW PART

X AS REQUIRED

BRAKE CALIPER FRONT

50 SX JUNIOR 2006

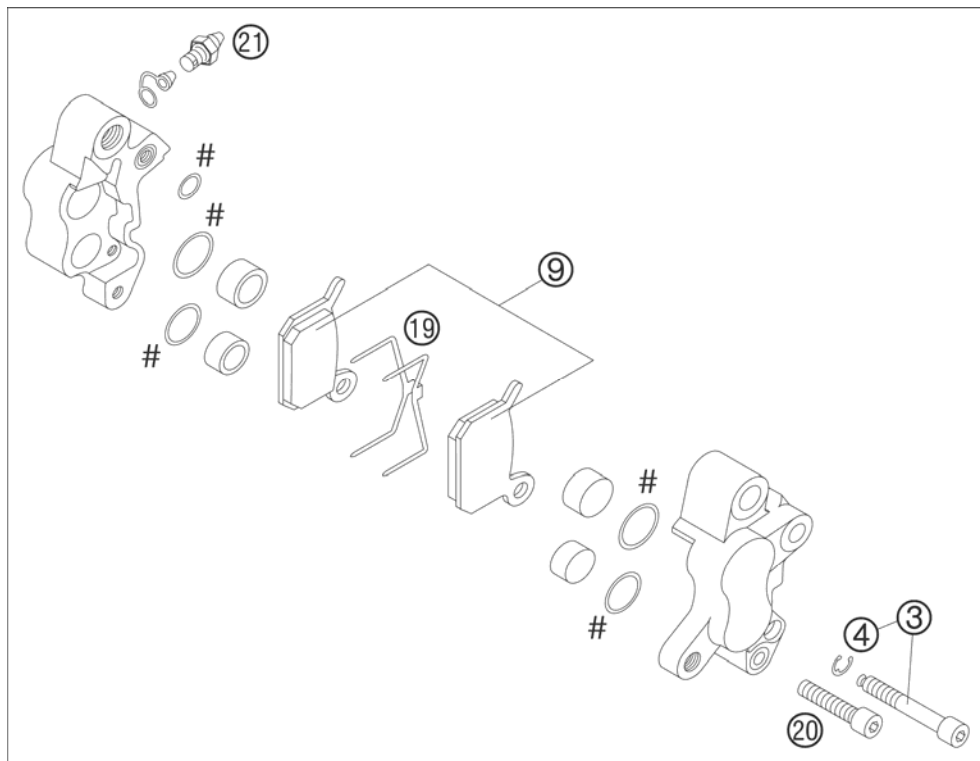
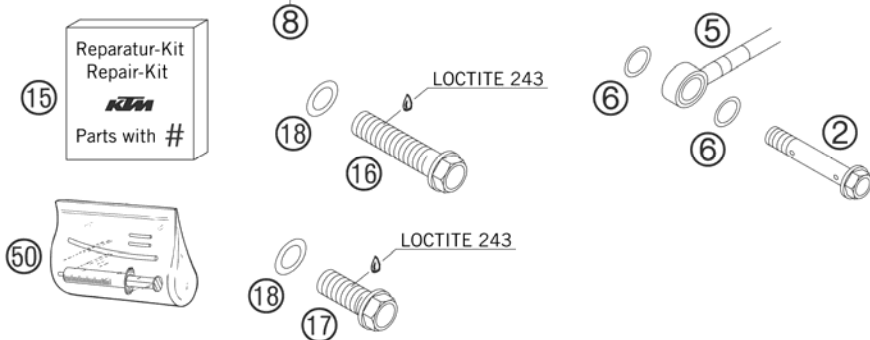


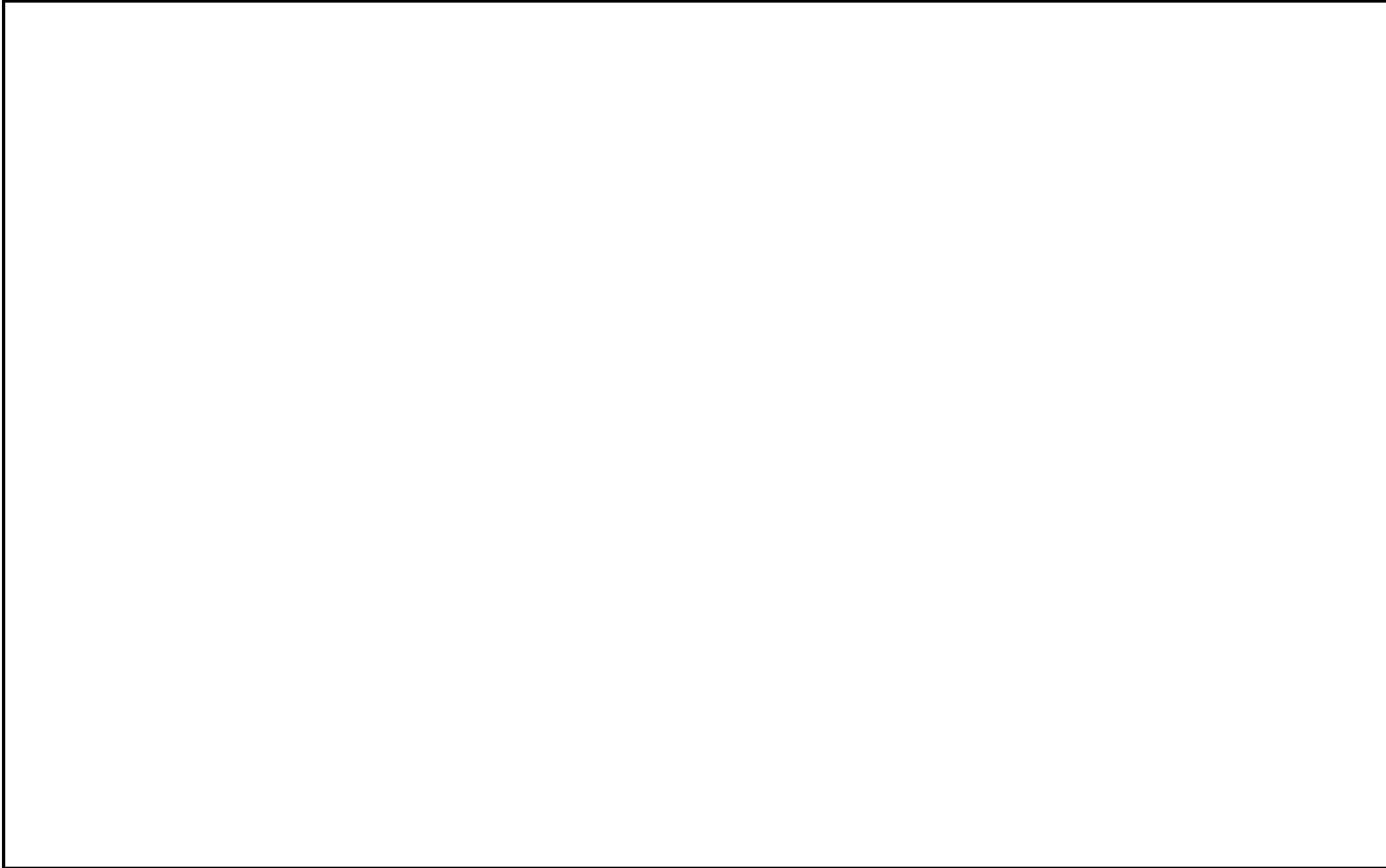
FIG	PART NUMBER	DESCRIPTION	QTY
2	45113025000	HOLLOW SCREW M6X34 50 LC 2002	1
3	45113125000	AH SCREW+CIRCLIP LC 50 02	1
4	0799025000	TAB WASHER DIN6799 RS2,5	1
5	45113012000	BRAKE HOSE FR. SX JUN. LC 2002	1
6	0770080019	O-RING 8,00X1,00 EPDM	2
8	45113015000	BRAKE CALIPER CPL.FR. 50 LC 02	1
9	45113030000	BRAKE PAD SET 50 LC 2002	1
15	45113019000	REP.KIT SEAL RING 50LC 2002	1
16*	0015080403	HH COLLAR SCREW M 8X40 WS=10	1
17*	0015080253	HH COLLAR SCREW M 8X25 WS=10	1
18*	0125080003	WASHER DIN0125-A 8,4	2
19	45113018000	RETAINING SPRING 50 LC	1
20	0912050203	AH SCREW DIN0912-M 5X20	1
21	45113020000	BREATHER SCREW 50 2002	1
50	45119050000	BLEEDER INJECTION-SET 50-65	1

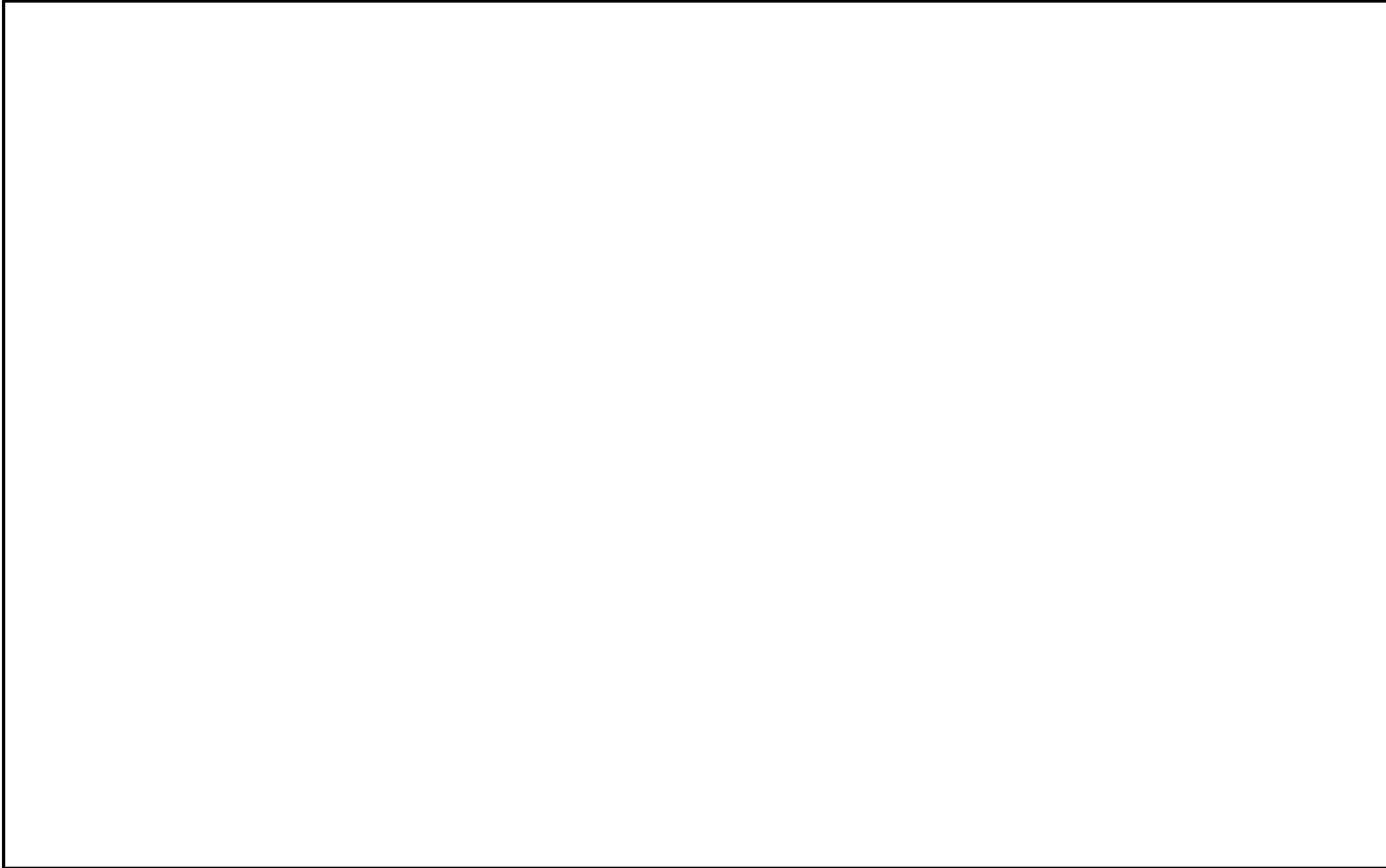


064501302 / C064511304

* NEW PART

X AS REQUIRED







KTM Group Partner



3CF6001F3EN



KTM-Sportmotorcycle AG
A-5230 Mattighofen
www.ktm.at

Art.Nr.: 3CF6001F3EN 6/2005