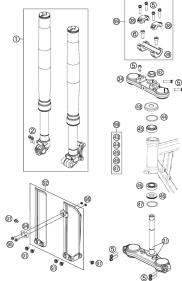
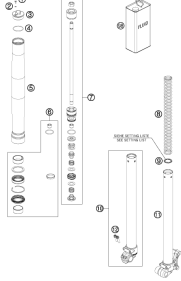
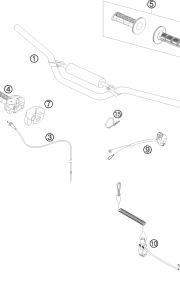
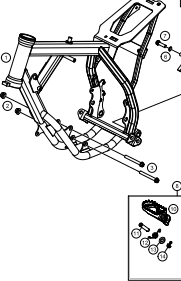
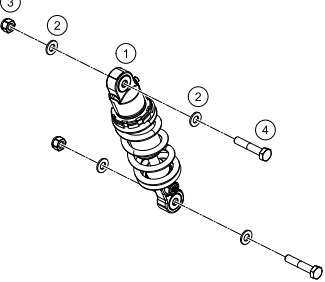
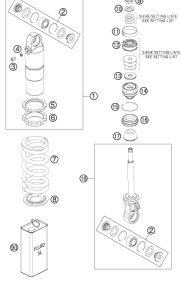
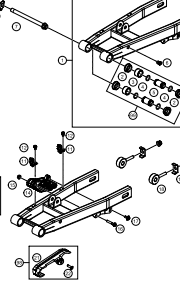
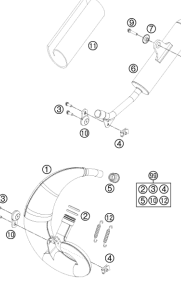
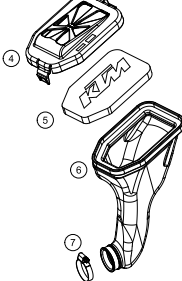
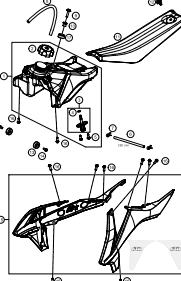
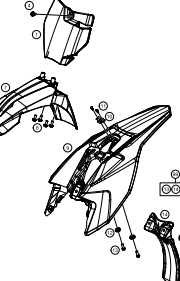
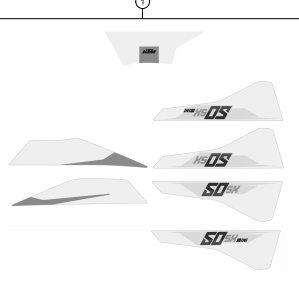
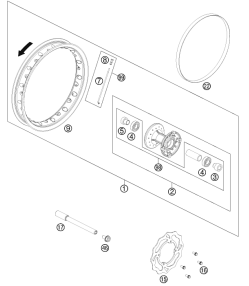
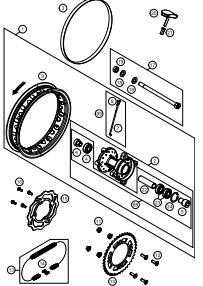
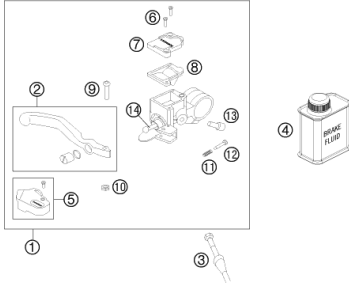
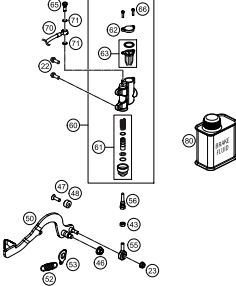
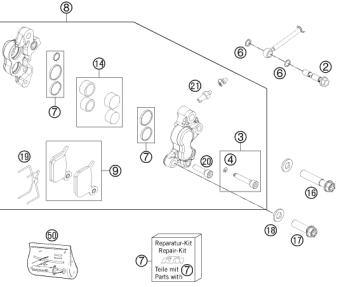
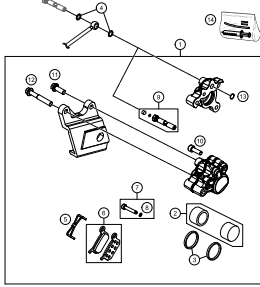
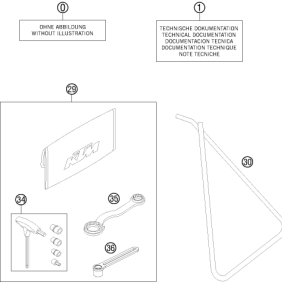



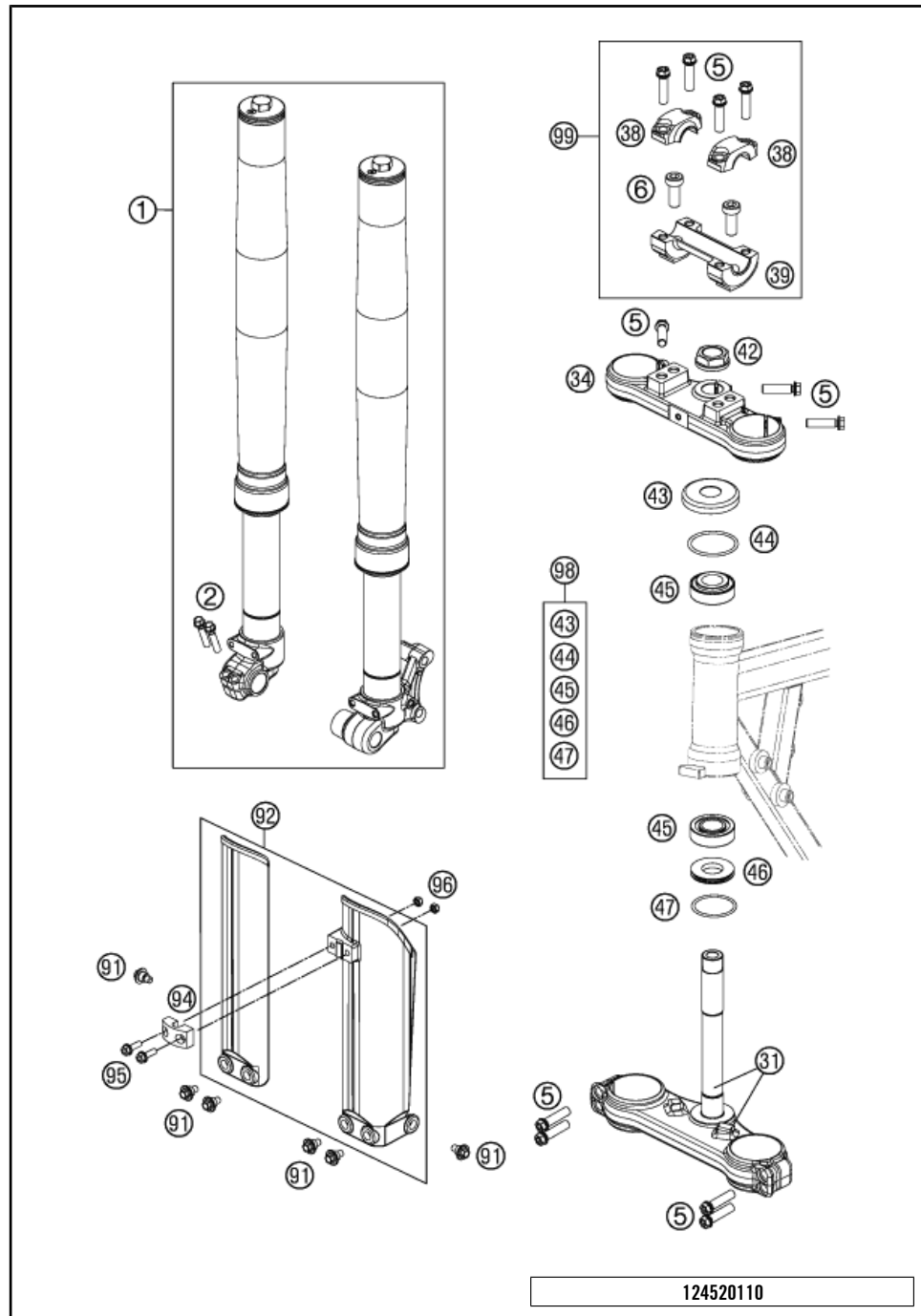
50 SX 2016

ART.-NR.: 3CFF6001P4EN



| | | | |
|--|---|---|---|
| <p>FRONT FORK, TRIPLE CLAMP</p>  <p>3</p> | <p>FRONT FORK DISASSEMBLED</p>  <p>4</p> | <p>HANDLEBAR, CONTROLS</p>  <p>5</p> | <p>FRAME</p>  <p>6</p> |
| <p>MONOSHOCK</p>  <p>7</p> | <p>MONOSHOCK DISASSEMBLED</p>  <p>8</p> | <p>SWING ARM</p>  <p>9</p> | <p>EXHAUST SYSTEM</p>  <p>10</p> |
| <p>AIR FILTER</p>  <p>11</p> | <p>TANK, SEAT, COVERS</p>  <p>12</p> | <p>MASK, FENDERS</p>  <p>13</p> | <p>DECAL</p>  <p>14</p> |

| | | | |
|--|---|--|---|
| <p>FRONT WHEEL</p>  <p>15</p> | <p>REAR WHEEL</p>  <p>16</p> | <p>HAND BRAKE CYLINDER</p>  <p>17</p> | <p>REAR BRAKE CONTROL</p>  <p>18</p> |
| <p>BRAKE CALIPER FRONT</p>  <p>19</p> | <p>BRAKE CALIPER REAR</p>  <p>20</p> | <p>ACCESSORIES KIT</p>  <p>21</p> | |
| |  <p>All information contained is without obligation. KTM Sportmotorcycle GmbH particularly reserves the right to modify any equipment, technical specifications, prices, colors, shapes, materials, services, service work, constructions, equipment and the like so as to adapt them to local conditions or to cancel any of the above items, all without previous announcement and without giving reasons. KTM may stop manufacturing certain models without previous notice. KTM shall not be held liable for any deviations of availability and/or ability to deliver, illustrations, descriptions, printing and/or other errors. The illustrated models partly contain extra equipment, which is not applied to standard models.</p> <p>© by KTM Sportmotorcycle GmbH, Mattighofen AUSTRIA; All rights reserved; Reprint, also in extracts, with written allowance of KTM Sportmotorcycle GmbH, Mattighofen only.</p> | | |

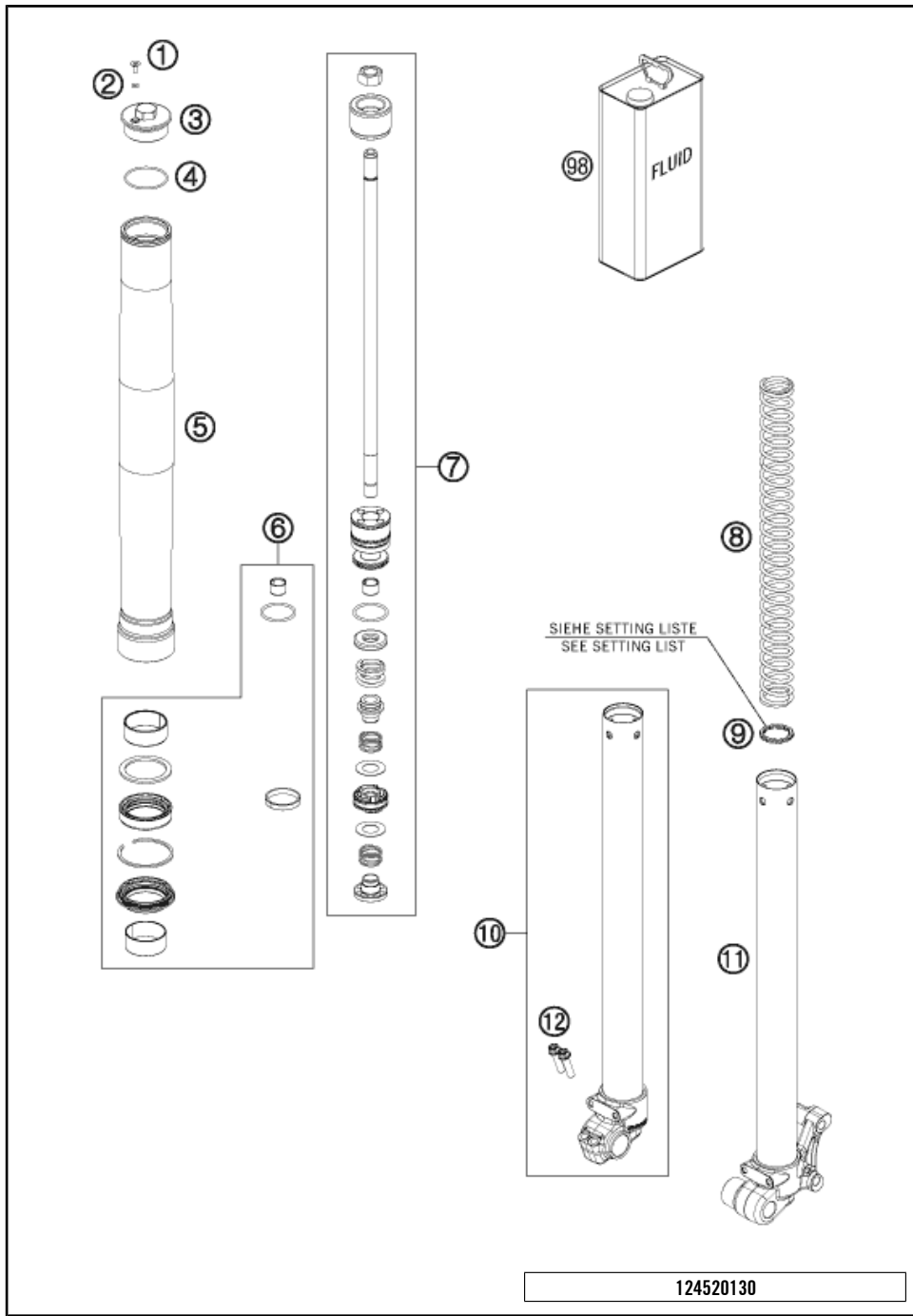


| POS | PARTNUMBER | PARTNAME | PIECE |
|-----|---------------|--------------------------------|-------|
| 1 | 07181L0301 | FORK USD 50SX | 1 |
| 2 | 0025060256 | HH COLLAR SCREW M6X25 TX30 | 2 |
| 5 | 0025080306 | HH COLLAR SCREW M8X30 TX40 | 11 |
| 6 | 0032100256S | AH-COLLAR SCREW M10X25 ISA45 | 2 |
| 31 | 45201032022 | BOT. TRIPLE CLAMP CPL. | 1 |
| 34 | 45201034022 | TOP TRIPLE CLAMP | 1 |
| 38 | 50301038000 | HANDLEBAR CLAMP D=22MM 2001 | 2 |
| 39 | 45201039000 | HANDLEBAR SUPPORT 50SX D=22MM | 1 |
| 42 | 59030029000 | HH NUT M20X1,5 WS=27 RIGHT | 1 |
| 43 | 49001086000 | COVERING CAP | 1 |
| 44 | 0770049025 | O-RING 49,00X2,50 NBR | 1 |
| 45 | 49001081000 | TAPERED ROLLER BEARING 32004X | 2 |
| 46 | 46001086000 | PROTECTION RING 20,1X39X5 | 1 |
| 47 | 0770360030 | O-RING 36,00X3,00 NBR | 1 |
| 91 | 59001092050 | SPECIAL SCREW M6X12,5 WS=8 | 6 |
| 92 | 4610109400028 | FORK PROTECTOR SET 65 SX WHITE | 1 |
| 94 | 5460108500028 | BRAKE HOSE CLIP | 1 |
| 95 | 0025050166 | HH COLLAR SCREW M5X16 TX30 | 2 |
| 96 | 0985050003 | SELF LOCKING NUT DIN0985-M 5 | 2 |
| 98 | 00050000931 | STEERING HEAD REP. KIT MINI | x |
| 99 | 00050000925 | HANDLEBAR SUPPORT KIT 50SX '12 | 1 |

124520110

C164520110

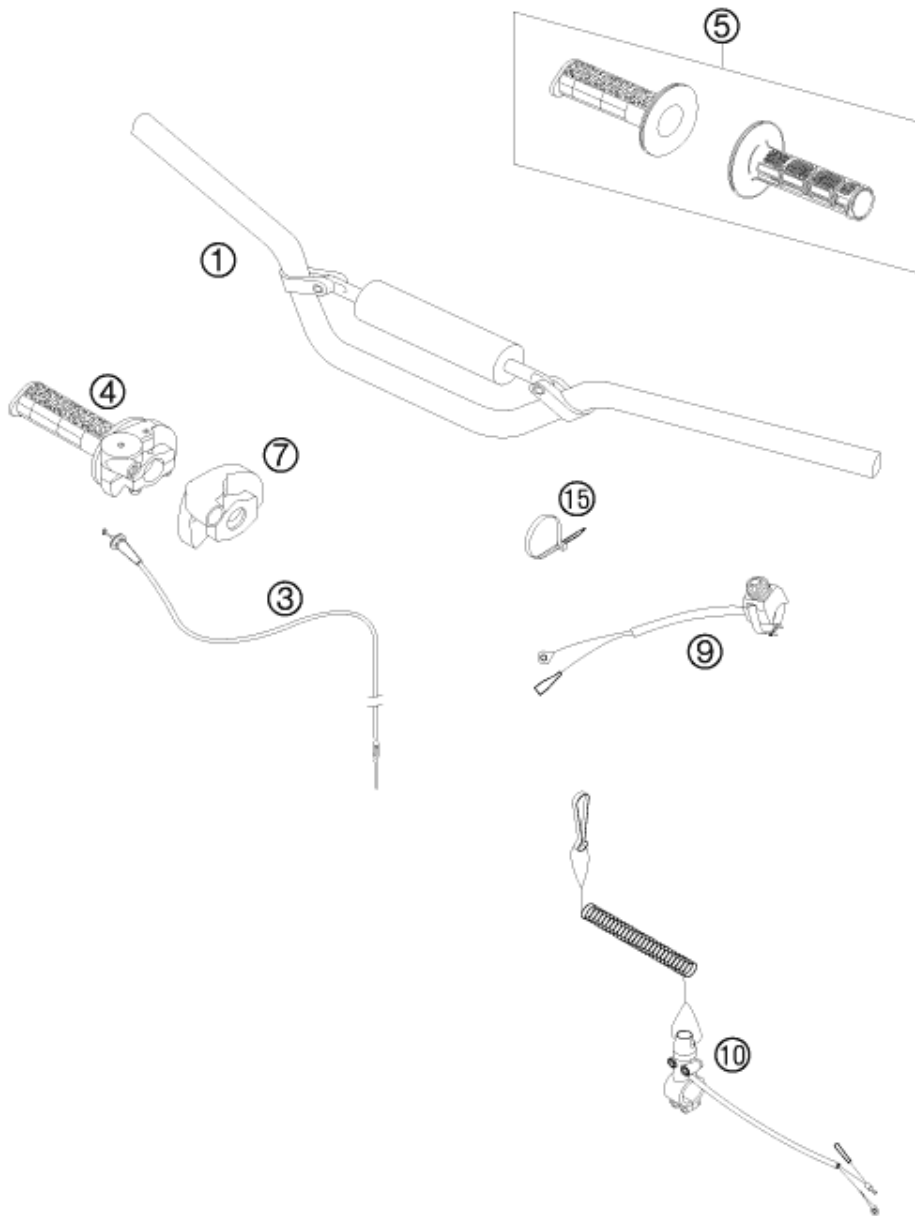
* NEW PART X ON DEMAND



| POS | PARTNUMBER | PARTNAME | PIECE |
|-----|------------|-----------------------------|-------|
| 1 | 48600481 | VENT SCREW M4X8 | 2 |
| 2 | 48600046 | O-RING NBR 3X1,5 | 2 |
| 3 | 35480459 | SCREW CAP M38X1.5 | 2 |
| 4 | 46180581 | O-RING 35X1.5 NBR70 | 2 |
| 5 | 35480453 | OUTER TUBE L=425 | 2 |
| 6 | R703 | REPAIR KIT 50SX 2012 | 1 |
| 7 | 35480462S1 | PISTON ROD 50SX CPL. | 2 |
| 8 | 95010055S | SPRING 1,8 N/MM SET | x |
| 8 | 95010051S | SPRING 2.0N/MM SET D=3.1MM | 2 |
| 8 | 95010052S | SPRING 2,2 N/MM SET | x |
| 9 | 35480497 | WASHER 22X30X2.5 | x |
| 10 | 35480455S1 | AXLE CLAMP R/S CPL. W. TUBE | 1 |
| 11 | 35480456S1 | AXLE CLAMP L/S CPL. W. TUBE | 1 |
| 12 | 0025060256 | HH COLLAR SCREW M6X25 TX30 | 2 |
| 98 | 48600765 | FORK OIL SAE5 | 1 |

C134520131

* NEW PART X ON DEMAND



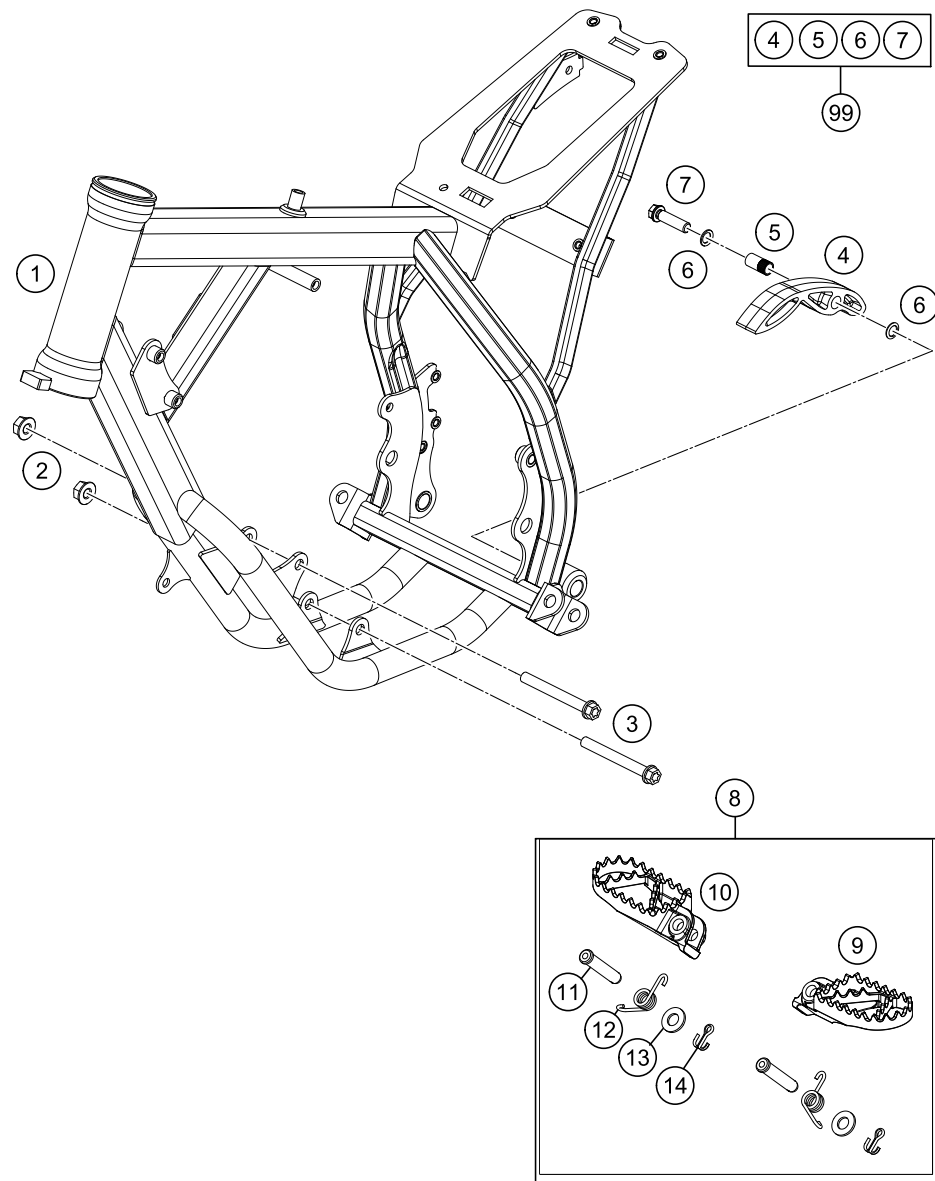
| POS | PARTNUMBER | PARTNAME | PIECE |
|-----|-------------|--|-------|
| 1* | 45302001000 | HANDLEBAR D=22 | 1 |
| 3 | 45202091000 | THROTTLE CABLE 50SX 2012 | 1 |
| 4 | 46202010000 | THROTTLE GRIP 65SX 09 | 1 |
| 5 | 63002021100 | GRIP SET DUAL COMPOUND | 1 |
| 7 | 50302020000 | PROTECTION COVER '97 | 1 |
| 9 | 50311089200 | SHORT CIRCUIT BUTTON 02 | 1 |
| 10 | 45011089044 | S.CIRCUIT BUTTON W. RIP CORD ACCESSORY | x |
| 15 | 44011076200 | CABLE TIE 200/3,6MM BLACK | x |
| 15 | 44011076140 | CABLE TIE 140/2,5MM BLACK | x |

124520210

C164520210

* NEW PART

X ON DEMAND



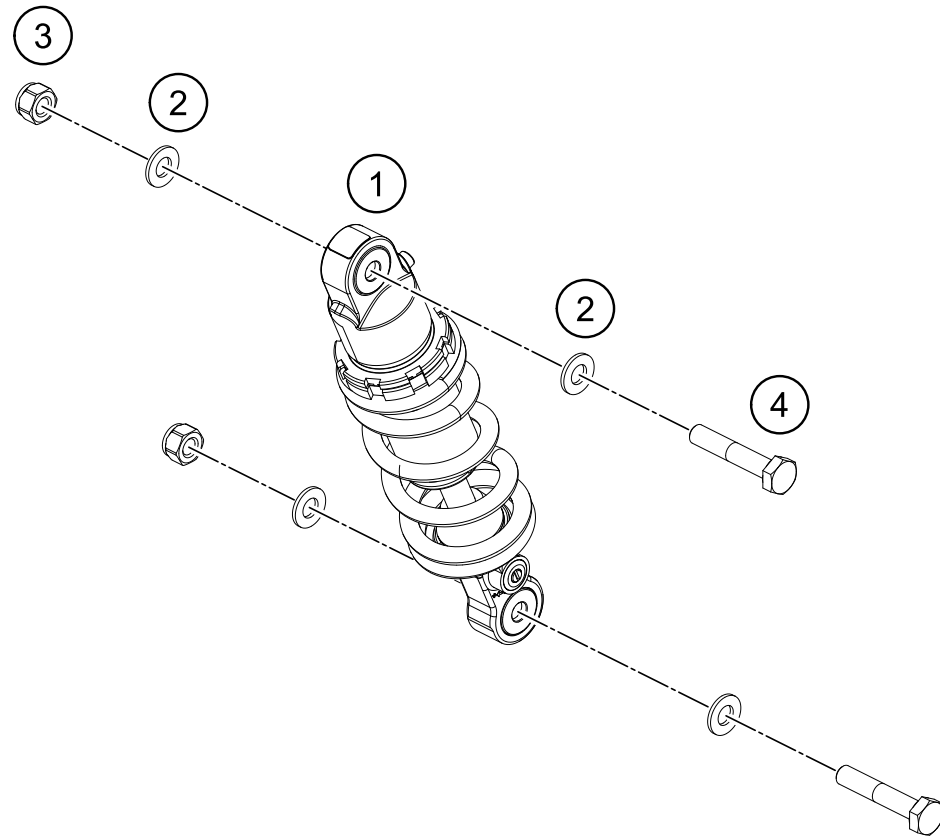
| POS | PARTNUMBER | PARTNAME | PIECE |
|-----|---------------|-------------------------------|-------|
| 1* | 4530300100033 | FRAME "453P3" | 1 |
| 2 | 54310086200 | SELF LOCKING NUT M8 10.9 | 2 |
| 3 | 0025080656 | HH COLLAR SCREW M8X65 TX40 | 2 |
| 4 | 51103053000 | CHAIN SLIDING PIECE BELOW '97 | 1 |
| 5 | 51103053051 | BUSHING 8,2X10X20 | 1 |
| 6 | 36003014000 | LOCK WASHER 8MM | 2 |
| 7 | 0025080306 | HH COLLAR SCREW M8X30 TX40 | 1 |
| 8 | 47103040033 | FOOTREST CPL. 14 | 1 |
| 9 | 47103040000 | FOOTREST L/S | 1 |
| 10 | 47103041000 | FOOTREST R/S | 1 |
| 11 | 54803044000 | PIN FOR FOOT PED 51.5X9.8 MM | 2 |
| 12 | 54603041000 | FOOTREST SPRING L/S & R/S | 2 |
| 13 | 0125100003 | WASHER DIN0125-A10,5 | 2 |
| 14 | 0094032253 | PIN DIN0094-3,2X25 STEEL | 2 |
| 99 | 51103053110 | CHAIN SLIDING KIT BELOW MINI | 1 |

164520310

C164520310

* NEW PART

X ON DEMAND



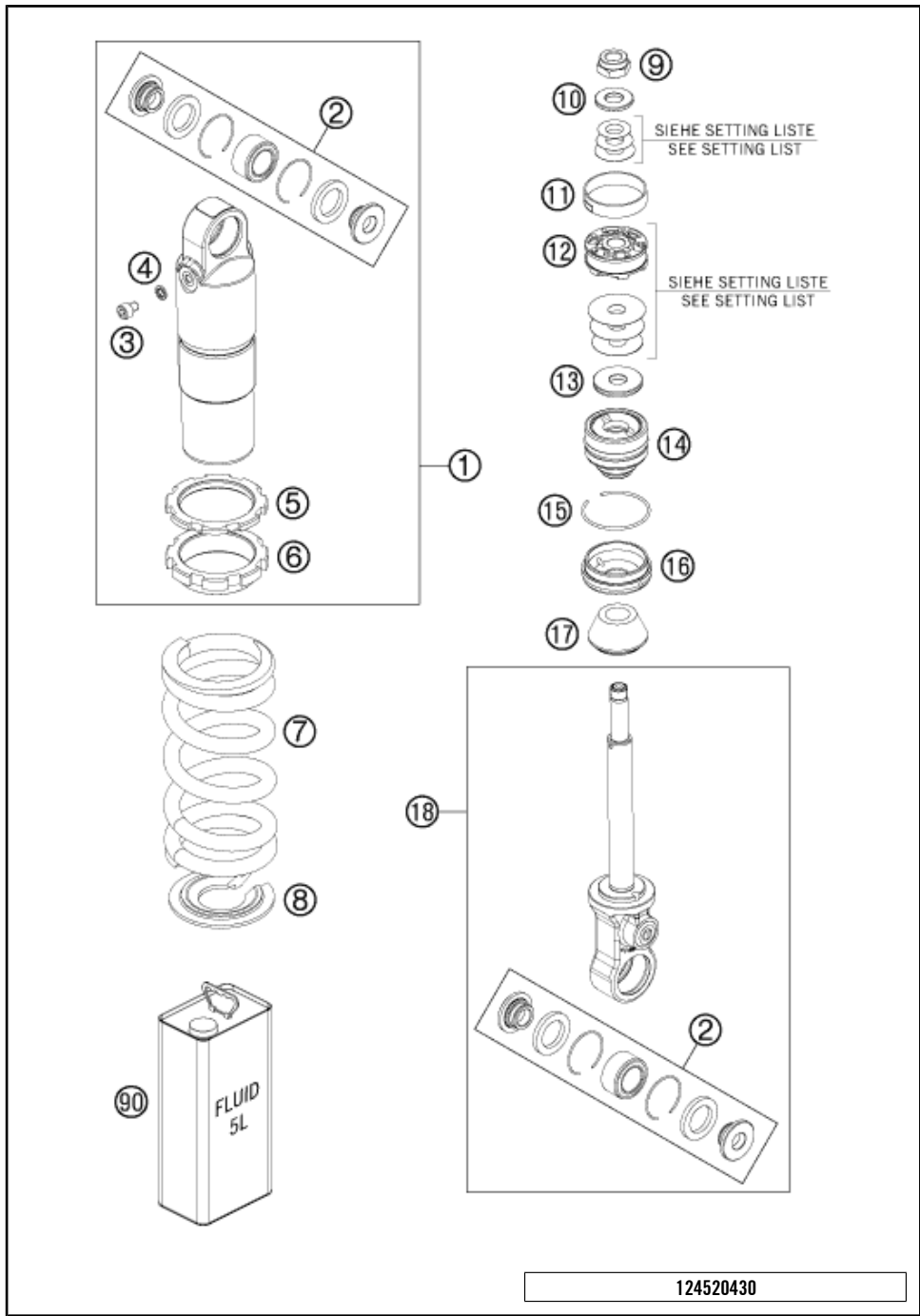
| POS | PARTNUMBER | PARTNAME | PIECE |
|-----|------------|--------------------------------|-------|
| 1 | 03189L0201 | MONOSHOCK 50SX 2012 | 1 |
| 2 | 0125100003 | WASHER DIN0125-A10,5 | 4 |
| 3 | 0982100003 | SELF LOCK.NUT DIN0982-M10 HIGH | 2 |
| 4 | 0931100453 | HH SCREW DIN0931-M10X45 | 2 |

124520410

C134520411

* NEW PART

X ON DEMAND



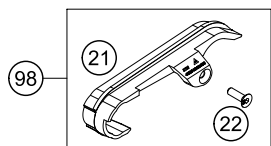
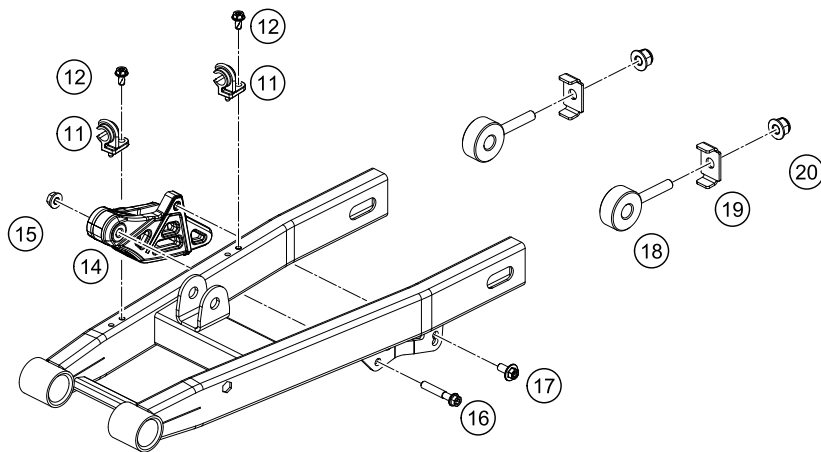
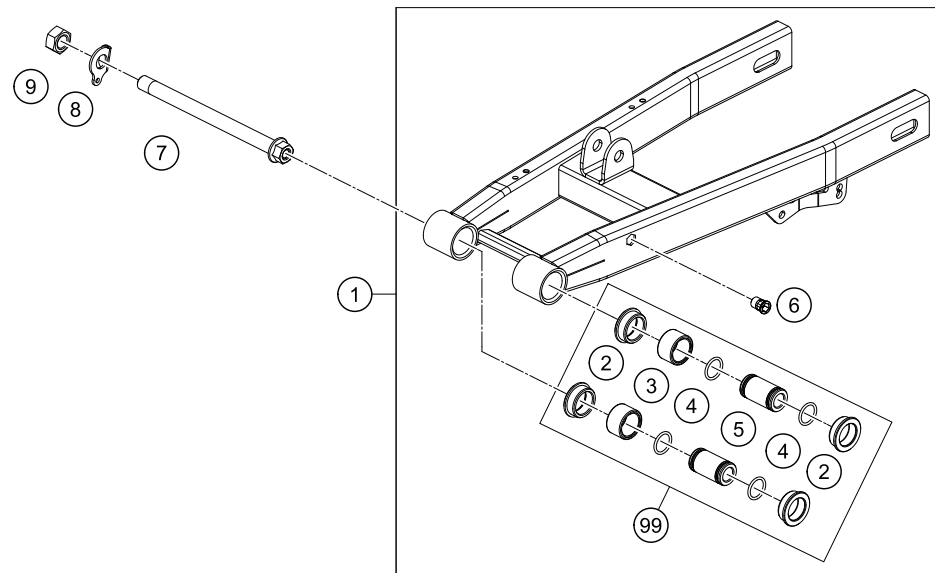
| POS | PARTNUMBER | PARTNAME | PIECE |
|-----|------------|--------------------------------|-------|
| 1 | 36120783S | MONOSHOCK TOP PART L147 CPL.07 | 1 |
| 2 | R307 | REPAIR KIT BEARINGS 50 SX 07 | 2 |
| 3 | 36120785 | SCREW M5 C.K. RVS | 1 |
| 4 | 36120782 | SEAL D5,21XD8,38X1,22 | 1 |
| 5 | 36120015 | COUNTERNUT | 1 |
| 6 | 36120418 | ADJUSTING NUT | 1 |
| 7 | 93010175S | SPRING 35N/MM 35-130 130MM OR. | 1 |
| 7 | 93010176S | SPRING 30N/MM 30-130 130MM OR. | x |
| 7 | 93010177S | SPRING 40N/MM 40-130 130MM OR. | x |
| 8 | 36120386 | SPRING RET. H=3, D=14,5 | 1 |
| 9 | 36120052 | PISTON ROD NUT M10X1 | 1 |
| 10 | 36120604 | SHIM D10XD22X2,5 | 1 |
| 11 | 36120040 | PISTON RING 8X1X108,3 | 1 |
| 12 | 36120071 | * PISTON 6+6XD5.5/3.5 | 1 |
| 13 | 14360065 | REBOUND DISC H=4 D=28,5 | 1 |
| 14 | 36120787S | ADAPTOR 36MM H26,6 CPL. 07 | 1 |
| 15 | 40540015 | CIRCLIP 38X1,5 | 1 |
| 16 | 36120780 | RESERVOIR CAP D=36 H=9,5 | 1 |
| 17 | 36120427 | BUMP RUBBER WP65 L=20 | 1 |
| 18 | 36120776S1 | MONOSH. BOTTOM PART L99 CPL.07 | 1 |
| 90 | 50180751S1 | SHOCK ABSORBER FLUID 5 LT | 1 |

124520430

C134520431

* NEW PART

X ON DEMAND



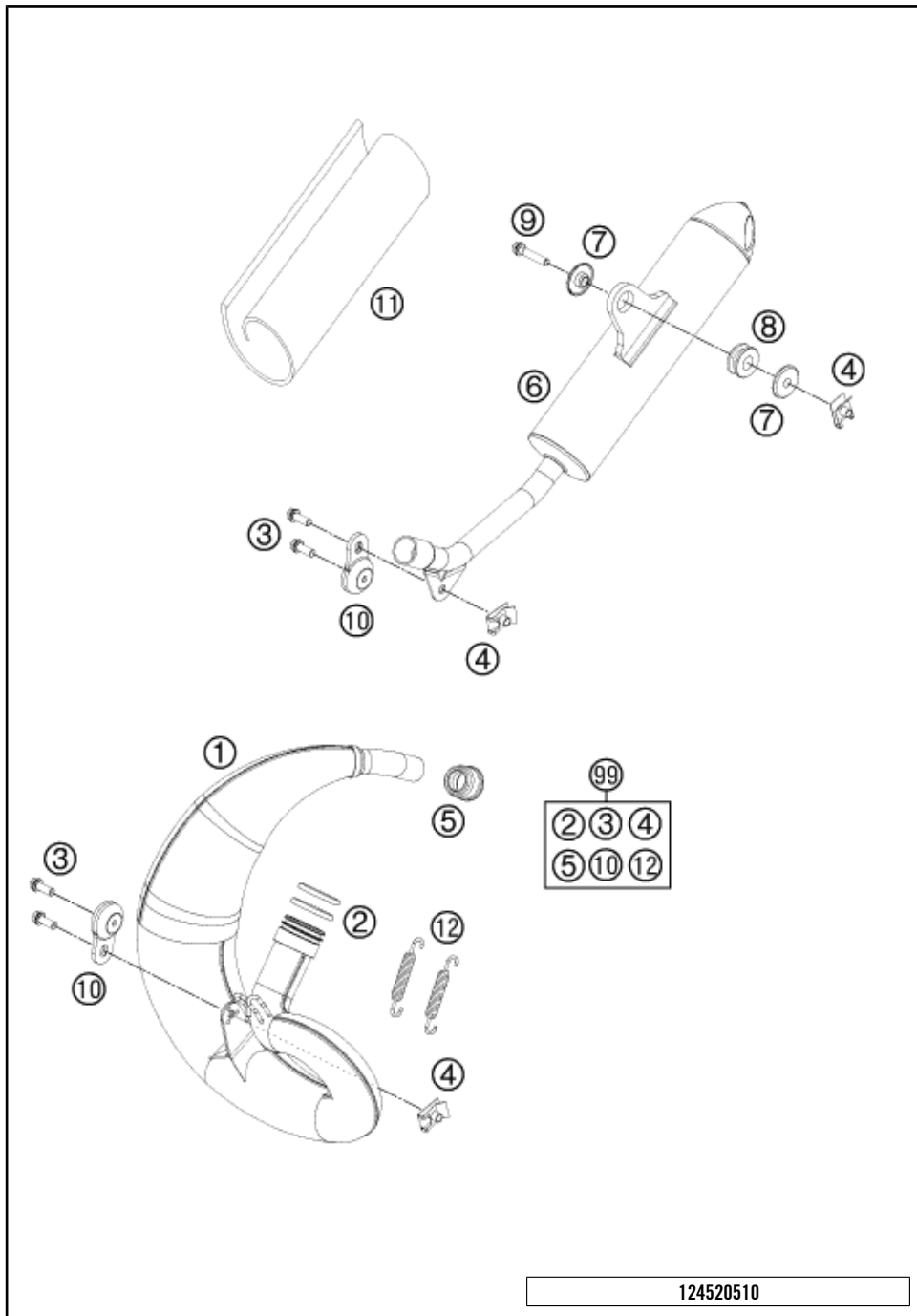
| POS | PARTNUMBER | PARTNAME | PIECE |
|-----|---------------|--------------------------------|-------|
| 1* | 4530403004491 | SWING ARM CPL. 50 SX 2016 | 1 |
| 2 | 46004030070 | SPACER BUSHING 20X26X30X9,7 | 4 |
| 3 | 54603097000 | NEEDLE BUSH HK 2016 | 2 |
| 4 | 0770160021 | O-RING 16,00X2,00 VITON | 4 |
| 5 | 46004030071 | BUSHING BOX 12X20X36,5 | 2 |
| 6 | 55003139900 | BLIND RIVET THREAD M6 STE. 4MM | 1 |
| 7 | 45103014144 | SWING ARM BOLT CPL. 2004 | 1 |
| 8 | 45213053000 | LOCK WASHER 50 SX | 1 |
| 9 | 0934120103 | HEXAGON NUT DIN0934-M12X1 | 1 |
| 11 | 54611076100 | RETAIN.CLAMP FOR BRAKE HOSE'96 | 2 |
| 12 | 0009050106 | EJOT SPIRAL SCREW SF M5X10-K | 2 |
| 14* | 46304070000 | CHAIN GUIDE | 1 |
| 15* | 56509064100 | SELF LOCKING NUT M6 10.9 | 1 |
| 16* | 0025060356 | HH COLLAR SCREW M6X35 TX30 | 1 |
| 17* | 0024060136 | HH COLLAR SCREW M6X13 TX30 | 1 |
| 18 | 45010083000 | CHAIN ADJUSTER | 2 |
| 19 | 45010083060 | SUPPORTING BRACKET | 2 |
| 20* | 0926080003 | STOP NUT DIN6926 M8 SS | 2 |
| 21 | 45204066000 | CHAIN SLIDING GUARD | 1 |
| 22 | 0991060202 | FLAT HEAD DIN7991-M 6X20 | 1 |
| 97* | 46304070044 | CHAIN GUIDE KIT MINI | 1 |
| 98 | 45204066010 | CHAIN GUARD KIT 50 SX | 1 |
| 99 | 45204230010 | SWINGARM REP. KIT 50/65 SX | 1 |

154520491

C164520490

* NEW PART

X ON DEMAND

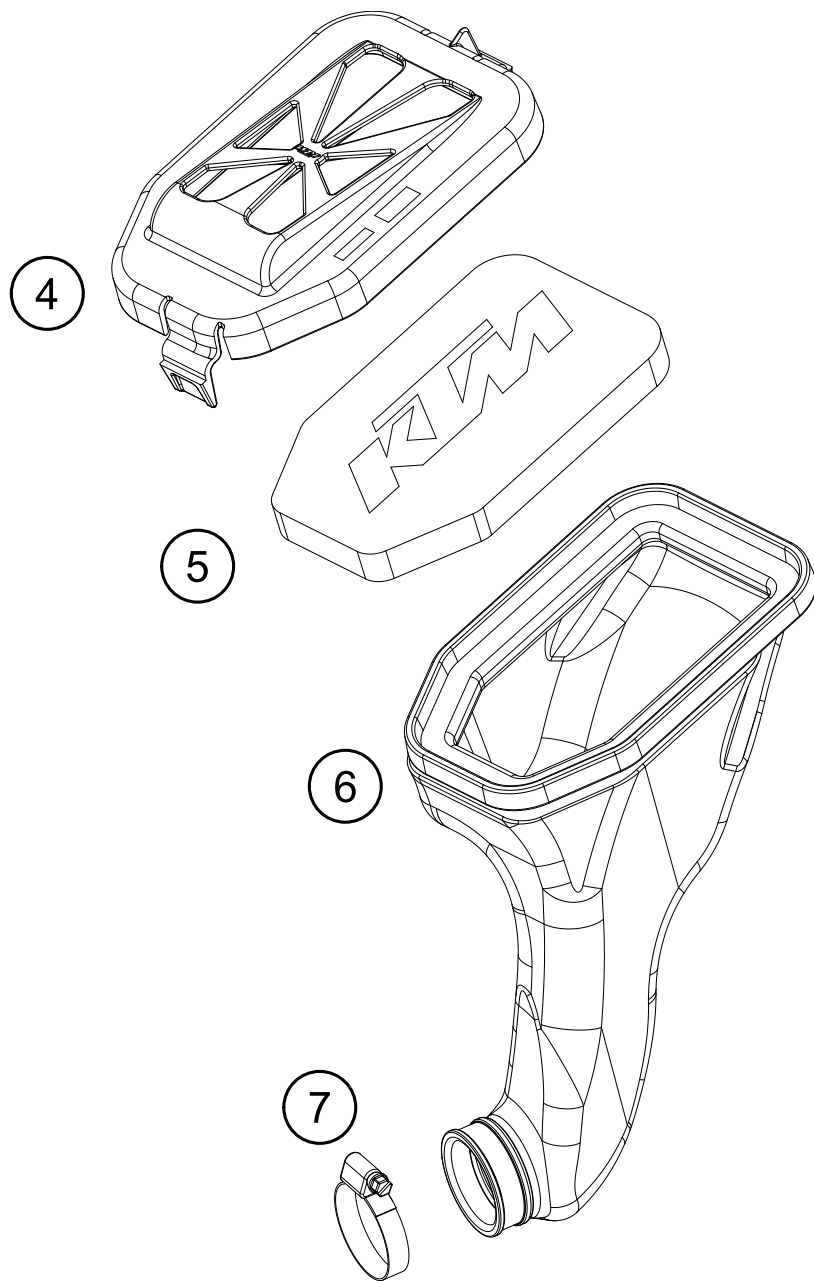


| POS | PARTNUMBER | PARTNAME | PIECE |
|-----|-------------|-------------------------------|-------|
| 1 | 45205107000 | EXHAUST MANIFOLD 50 SX 2009 | 1 |
| 2 | 0770300030 | O-RING 30X3 VITON | 2 |
| 3 | 0025060166 | HH COLLAR SCREW M6X16 TX30 | 4 |
| 4 | 54603048100 | RANGE CHANGE METAL NUT M6 | 3 |
| 5 | 45105057000 | EXHAUST RUBBER MINI 2002 | 1 |
| 6* | 45305079000 | SILENCER 50 SX 2016 | 1 |
| 7 | 54605069000 | % BUSHING 7,5X12X28X7,8 '96 | 2 |
| 8 | 77205068000 | DAMP. COMPON. BLACK | 1 |
| 9 | 0025060306 | HH COLLAR SCREW M6X30 TX30 | 1 |
| 10 | 50305012000 | SWINGELEMENT FOR EXHAUST PIPE | 2 |
| 11 | 45105079056 | ROCKWOOL PREFOMED 50 2002 | 1 |
| 12 | 50305016000 | TEN.SPRING L=62MM EY.MOVEABLE | 2 |
| 99 | 00050000813 | EXHAUST HARDWARE KIT MINI | 1 |

124520510

C164520510

* NEW PART X ON DEMAND



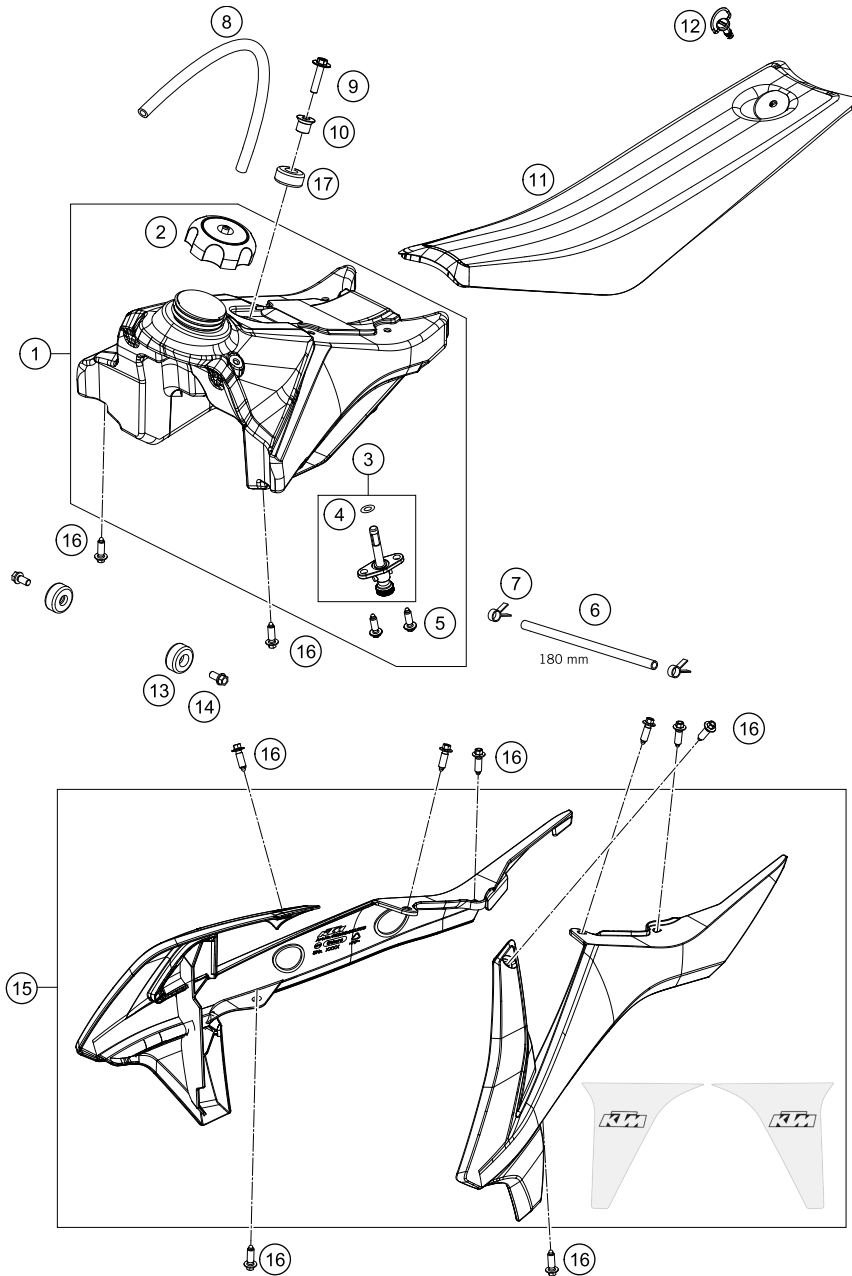
| POS | PARTNUMBER | PARTNAME | PIECE |
|-----|-------------|---------------------------|-------|
| 4 | 45206002000 | FILTER BOX COVER 50 SX 09 | 1 |
| 5 | 45206015000 | AIR FILTER 50 SX 09 | 1 |
| 6 | 45206026000 | CARBURETOR CONNECT. 50 SX | 1 |
| 7 | 76235028000 | HOSE CLAMP GEMI 20-32 MM | 1 |

154520610

C164520610

* NEW PART

X ON DEMAND



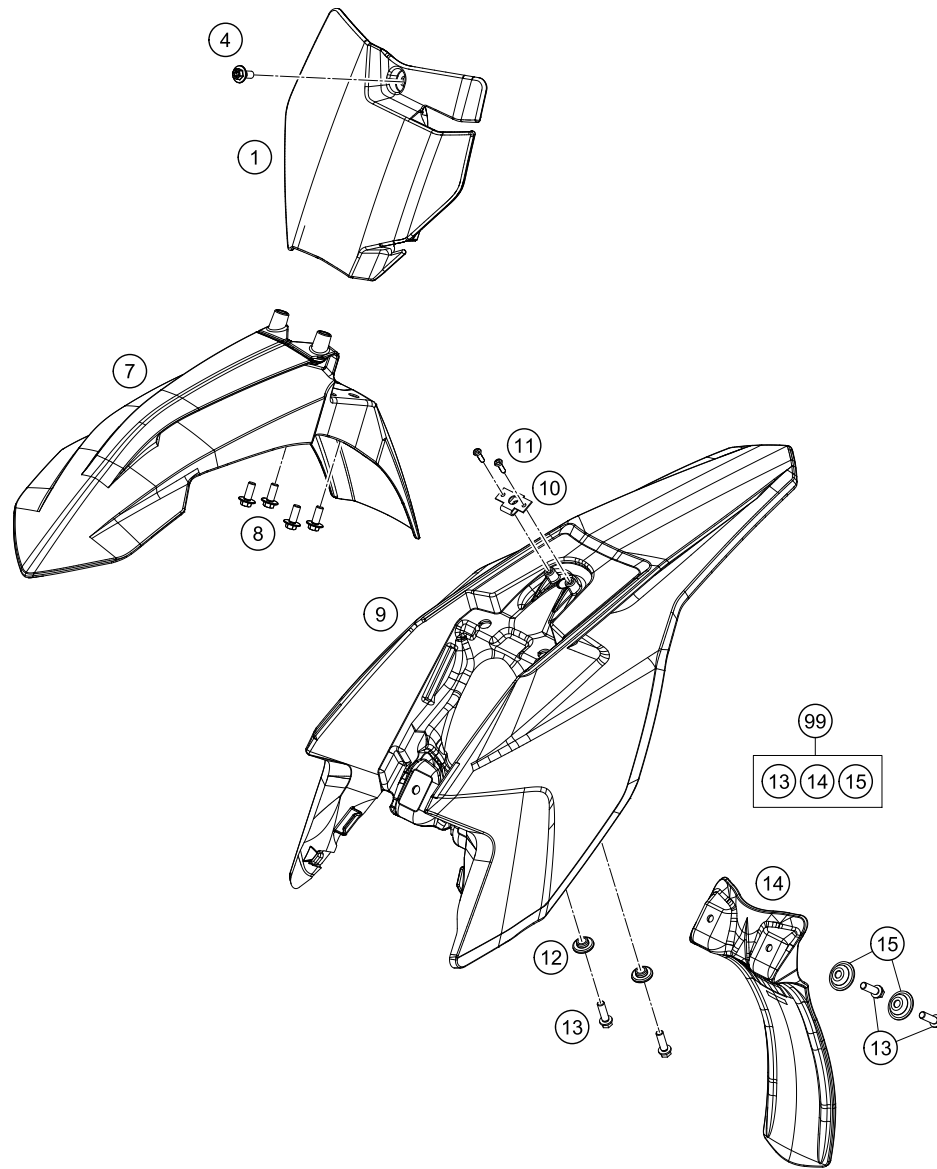
154520710

| POS | PARTNUMBER | PARTNAME | PIECE |
|-----|----------------|---|-------|
| 1* | 4530701303330 | FUEL TANK CPL. 2,3 L 2016 | 1 |
| 2* | 49007008044 | FILLER CAP CPL. SMALL | 1 |
| 3 | 58507003200 | FUEL COCK CPL. | 1 |
| 4 | 0770020130 | O-RING 1,78x10,82x14,38 2-013 | 1 |
| 5 | 0017060205 | SCREW FOR PLASTIC K60X20 SW6 | 2 |
| 6 | 58307016001 | FUEL HOSE VITON 6X1,5 PER/M | 1 |
| 7 | 45031005000 | YDNAC-CLAMP FUEL HOSE (8MM) | 2 |
| 8 | 78007000270 | PVC-HOSE 5,6X10X270MM | 1 |
| 9* | 0024060273 | COLLAR SCREW M6X27 TX | 1 |
| 10* | 77307026000 | TANK BUSHING 07 | 1 |
| 11* | 45307040000 | SEAT | 1 |
| 12 | 45007040051 | QUICK RELEASE CPL. 50 SXR '97 | 1 |
| 13 | 50307014000 | TANK ROLLER 12X26X12 '98 | 2 |
| 14 | 0025060126 | HH COLLAR SCREW M6X12 TX30 | 2 |
| 15* | 45308054000EBA | SPOILERSET ORANGE 50SX/MINI 16 WITH DECAL | 1 |
| 16 | 0017060206 | SCREW F. PLASTIC K60X20AL SW6 | 8 |
| 17 | 50307014000 | TANK ROLLER 12X26X12 '98 | 1 |

C164520710

* NEW PART

X ON DEMAND



154520810

| POS | PARTNUMBER | PARTNAME | PIECE |
|-----|----------------|--------------------------------|-------|
| 1* | 4530800700028 | START NUMBER PLATE 50 SX WHITE | 1 |
| 4 | 0024060106 | HH COLLAR SCREW M6X10 TX30 | 1 |
| 7* | 45308010000EB | FENDER 50 SX ORANGE | 1 |
| 8 | 0024060156 | HH COLLAR SCREW M6X15 TX30 | 4 |
| 9* | 4530801300028A | REAR PART 50 SX WHITE 2016 | 1 |
| 10 | 45007040050 | QUICK RELEASE LATCHPLATE | 1 |
| 11 | 0981350163 | SHEET MET.SCR.DIN7981- 3,5X16 | 2 |
| 12 | 54808020000 | SPACER BUSHING 03 | 2 |
| 13 | 0025060206 | HH COLLAR SCREW M6X20 TX30 | 4 |
| 14 | 45206010000 | SPLASH PROTECT. 50 SX 2009 | 1 |
| 15 | 72210079000 | BUCKET | 2 |
| 99 | 45206010010 | SPLASH PROTECTOR KIT 50 SX | x |

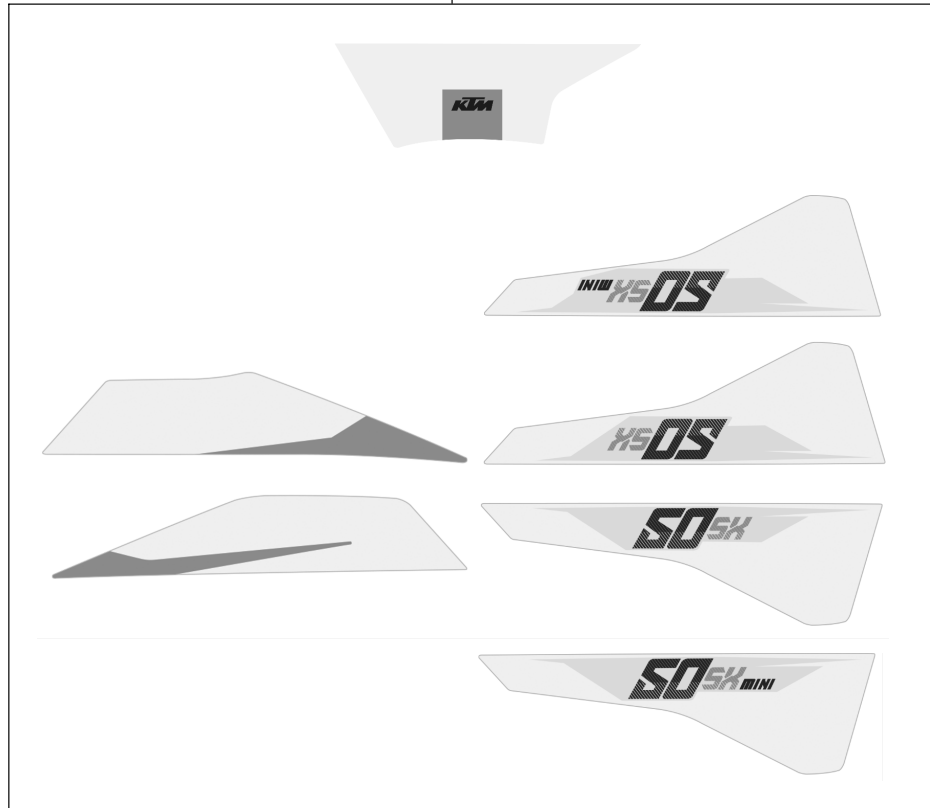
C164520810

* NEW PART

X ON DEMAND

| POS | PARTNUMBER | PARTNAME | PIECE |
|-----|-------------|----------------------------|-------|
| 1 | 45308097044 | DECAL SET 50SX / MINI 2016 | X |

1

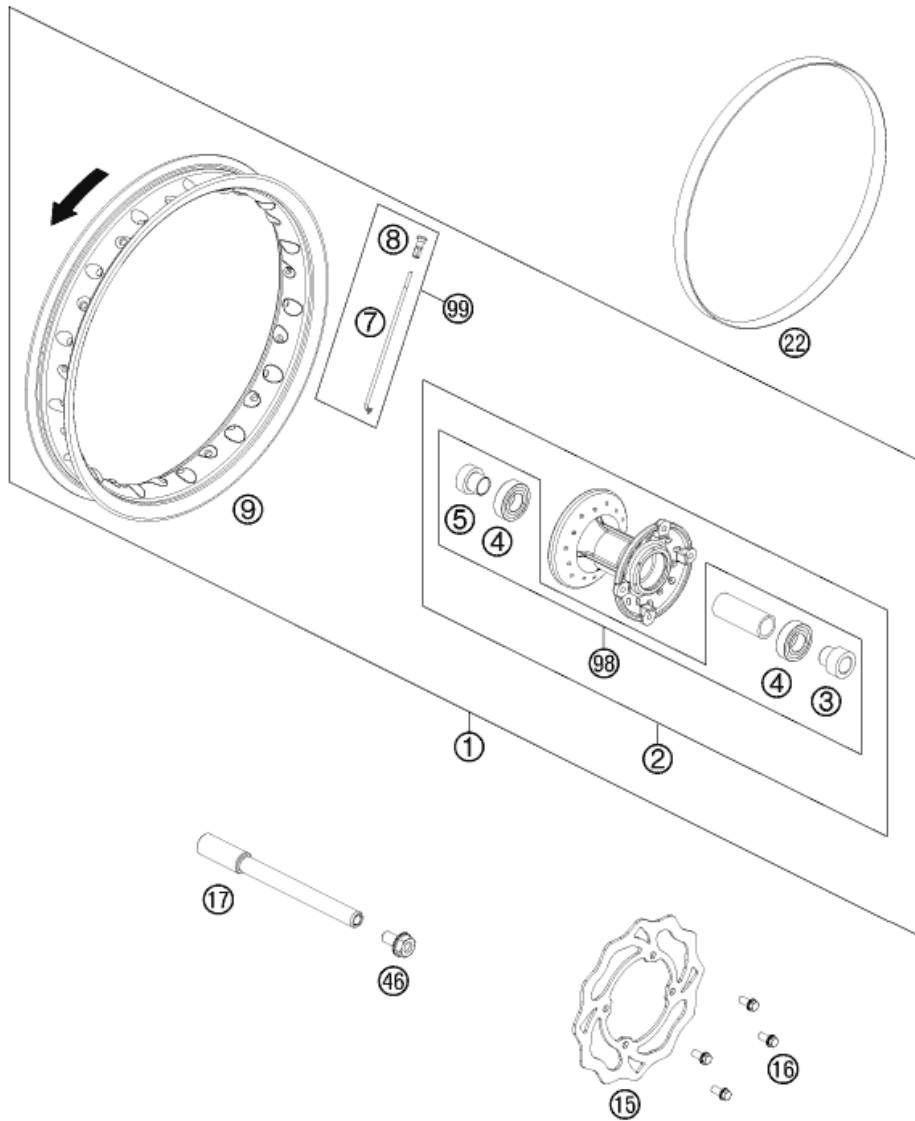


154520831

C164520830

* NEW PART

X ON DEMAND



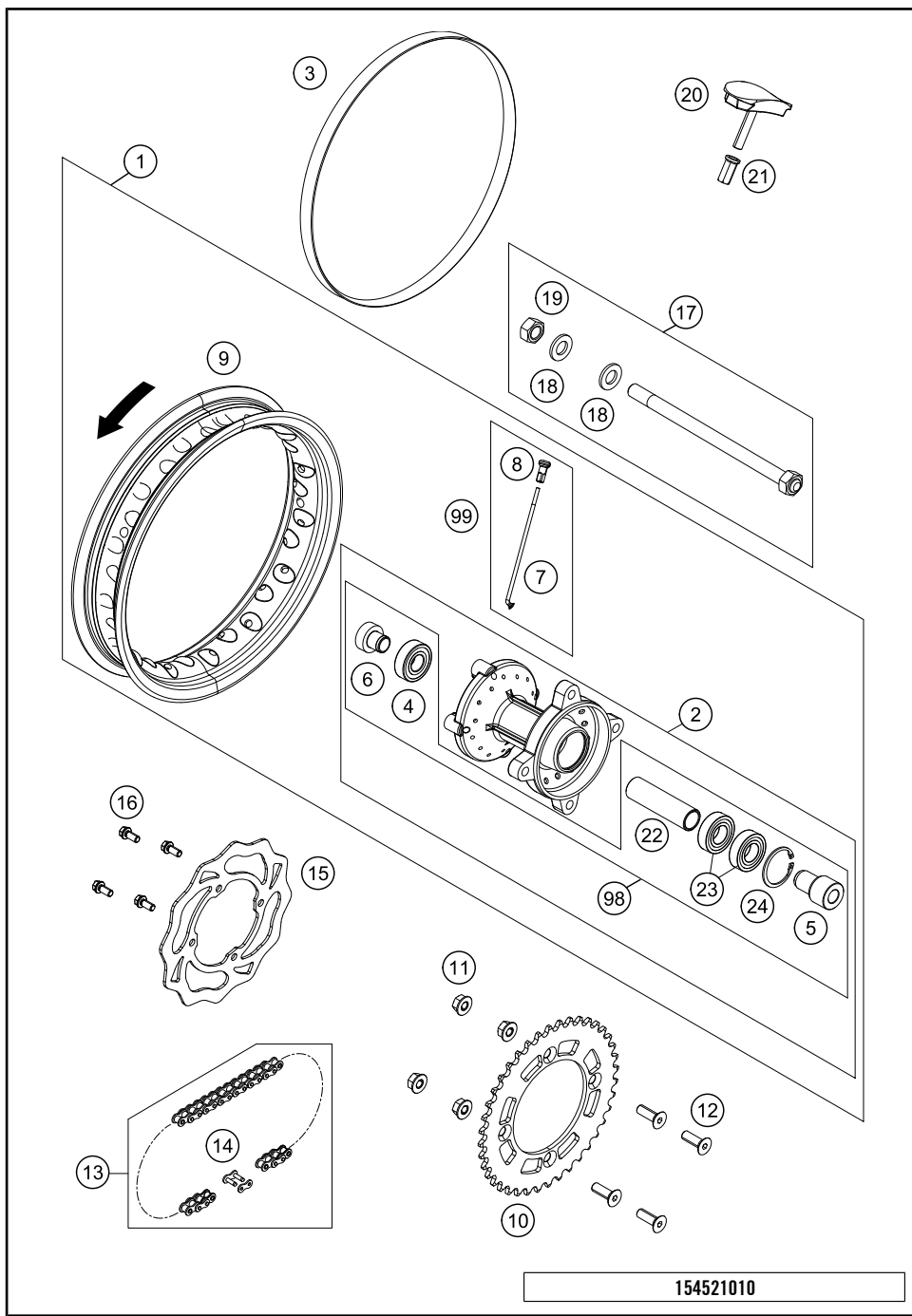
| POS | PARTNUMBER | PARTNAME | PIECE |
|-----|---------------|--------------------------------|-------|
| 1 | 45209001244 | FRONT WHEEL 50 SX 2012 | 1 |
| 2 | 45209010044 | FRONT WHEEL HUB CPL. | 1 |
| 3 | 45209012000 | SPACER BUSHING LEFT | 1 |
| 4 | 0625060037 | GR.BALL BEAR. 6003-2RSH/C3HMTF | 2 |
| 5 | 45209013000 | SPACER BUSHING RIGHT | 1 |
| 7 | 45209071126 | SPOKE 3X126C.110°C.5 Zinc 2012 | 28 |
| 8 | 46210072000 | SPOKE NIPPLE ALU | 28 |
| 9 | 4520907020030 | FRONT RIM 12"X1,5 SCHW.12 | 1 |
| 15 | 45209060000 | BRAKE DISC FRONT JUN/SEN 09 | 1 |
| 16 | 59009062013 | SPECIAL SCREW M6X13 WS=8 10.9 | 4 |
| 17 | 45209081000 | AXLE FRONT | 1 |
| 22 | 45109073100 | RIM BAND 12" | 1 |
| 46 | 49032011000 | HH COLLAR SCREW M10X20 WS=17 | 1 |
| 98 | 45209015000 | FRONT WHEEL REP. KIT 50 SX | x |
| 99 | 00050000964 | SPOKE KIT FRONT 12" '12-'14 | x |

124520911

C134520911

* NEW PART

X ON DEMAND

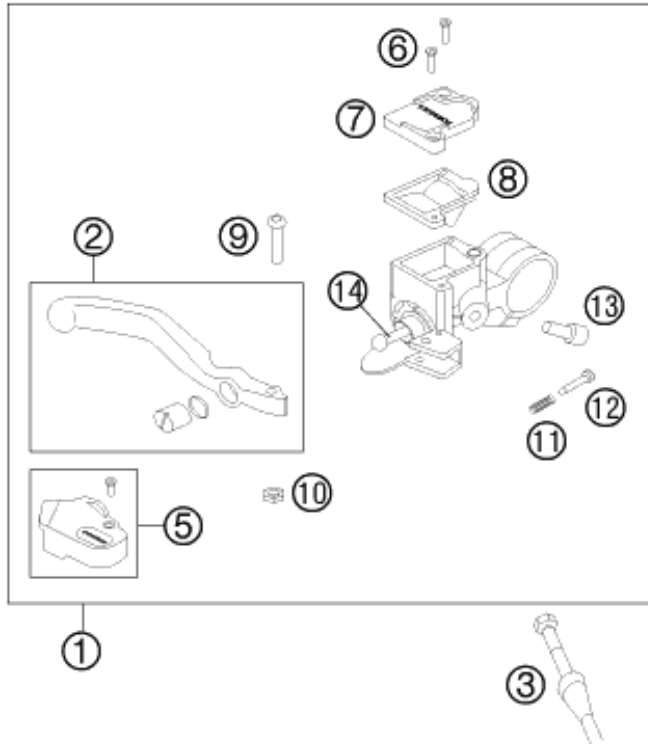


| POS | PARTNUMBER | PARTNAME | PIECE |
|-----|---------------|--------------------------------|-------|
| 1 | 45210001544 | REAR WHEEL 50SX/MINI 2015 | 1 |
| 2 | 45210010144 | REAR WHEEL HUB CPL. 50SX 2015 | 1 |
| 3 | 45009073000 | RIM BAND 10" 22MM | 1 |
| 4 | 0625062028 | BALL BEARING 6202-2RSH/C3 | 1 |
| 5 | 45210013100 | SPACER BUSHING LEFT 2015 | 1 |
| 6 | 45210014000 | SPACER BUSHING REAR R/S | 1 |
| 7 | 45210071101 | SPOKE 3X101 C.113° | 28 |
| 8 | 46210072000 | SPOKE NIPPLE ALU | 28 |
| 9 | 4521007010030 | REAR RIM 10"X1.6 BLK. 2012 | 1 |
| 10 | 45210151038 | SPROCKET 38-T 50SX '13 | x |
| 10 | 45210151039 | SPROCKET 39-T 50SX '13 | x |
| 10 | 45210151040 | SPROCKET 40-T 50SX '13 | x |
| 10 | 45210151041 | SPROCKET 41-T 50SX '13 | x |
| 10 | 45210151042 | SPROCKET 42-T 50SX '13 | x |
| 11 | 54310086200 | SELF LOCKING NUT M8 10.9 | 4 |
| 12 | 0991080253 | FLAT HEAD SCREW DIN7991-M 8X25 | 4 |
| 13 | 45110265104 | RACING CHAIN 1/2X3/16" 50 SX | 1 |
| 14 | 45110266000 | CONNECTING LINK 1/2X3/16" 90RS | 1 |
| 15 | 45209060000 | BRAKE DISC FRONT JUN/SEN 09 | 1 |
| 16 | 59009062016 | SPECIAL SCREW M6X16 WS=8 10.9 | 4 |
| 17 | 46010085044 | AXLE CPL. 207MM M12X1 | 1 |
| 18 | 0125120003 | FLAT WASHER DIN0125-A13 | 2 |
| 19 | 0934120103 | HEXAGON NUT DIN0934-M12X1 | 2 |
| 20 | 45110090000 | RIM LOCK CPL. 2004 | 1 |
| 21 | 77110090050 | NUT FOR WHEEL HOLDER | 1 |
| 22 | 45210011100 | BEARING DISTANCE TUBE 2015 | 1 |
| 23 | 0625060037 | GR.BALL BEAR. 6003-2RSH/C3HMTF | 2 |
| 24 | 0472035150 | CIRCLIP DIN0472-35X1,5 | 1 |
| 98 | 45210015100 | REAR WHEEL REP. KIT 50 SX 15 | x |
| 99 | 00050000969 | SPOKE KIT REAR 10" '14 | 1 |

154521010

C164521010

* NEW PART X ON DEMAND



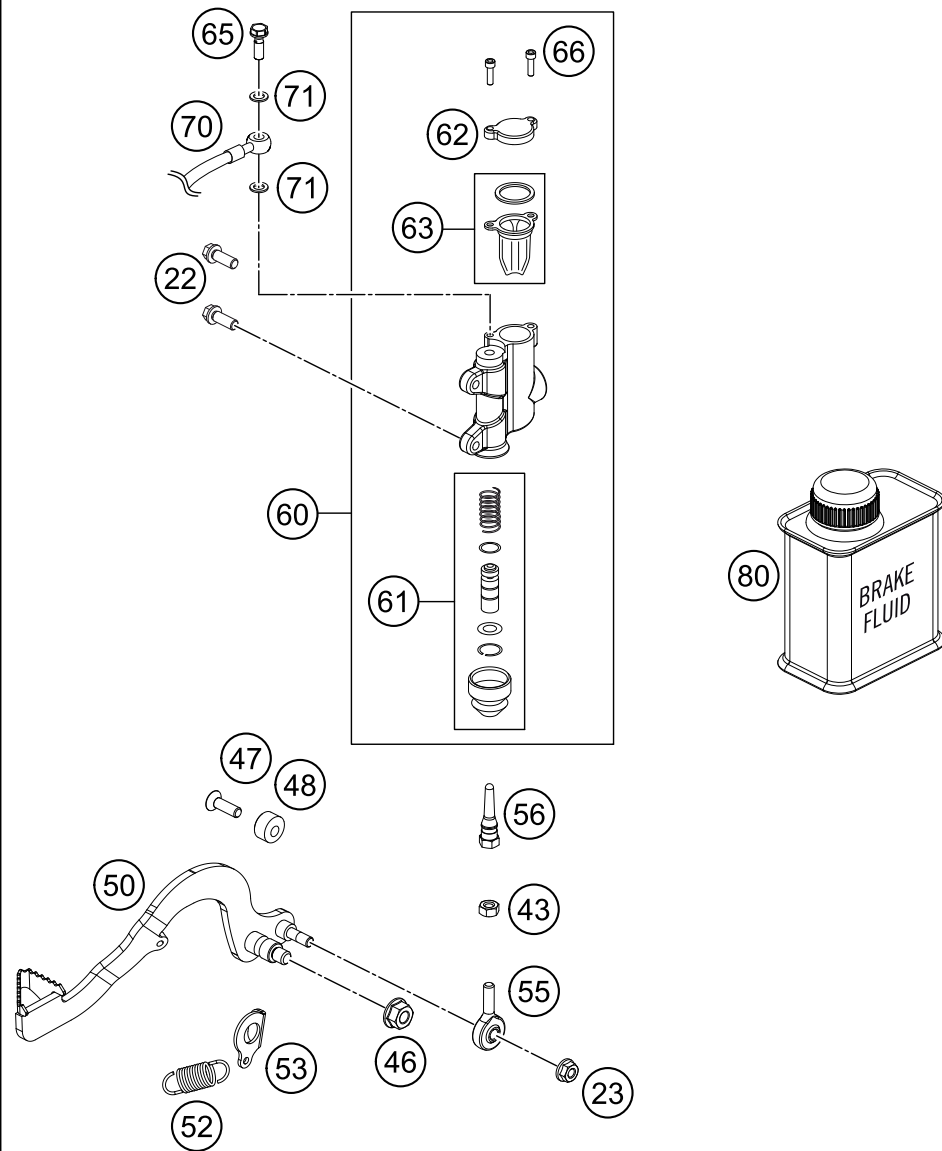
| POS | PARTNUMBER | PARTNAME | PIECE |
|-----|-------------|--------------------------------|-------|
| 1 | 45113101044 | HAND BRAKE CYLIND.CPL.50 LC 02 | 1 |
| 2 | 45113002000 | HANDBRAKE LEVER CPL. R/S 02 | 1 |
| 3 | 45213012100 | BRAKE HOSE FR. 50SX | 1 |
| 4 | 00062030000 | BRAKE FLUID DOT5.1 0,25L | 1 |
| 5 | 45113004000 | PROT.CAP HAND BRAKE CYL. 50 LC | 1 |
| 6 | 0966030083 | OVAL HEAD SCREW DIN0966-M 3X8 | 2 |
| 7 | 45113003000 | HAND BRAKE CYLINDER COVER 04 | 1 |
| 8 | 45113009000 | GASKET HAND BRAKE CYLINDER 04 | 1 |
| 9 | 45113006000 | SPECIAL-AH SCREW M 5X18 | 1 |
| 10 | 45113013000 | NUT M5 DIN 6334 | 1 |
| 11 | 45113021000 | SPRING FOR HAND BRAKE LEVER 04 | 1 |
| 12 | 45113007000 | ADJUSTING SCREW M 3X16 04 | 1 |
| 13 | 0912050103 | AH SCREW DIN0912-M 5X10 | 1 |
| 14 | 45113008000 | REP.KIT PISTON FRONT 50 04 | 1 |

124521310

C134521311

* NEW PART

X ON DEMAND



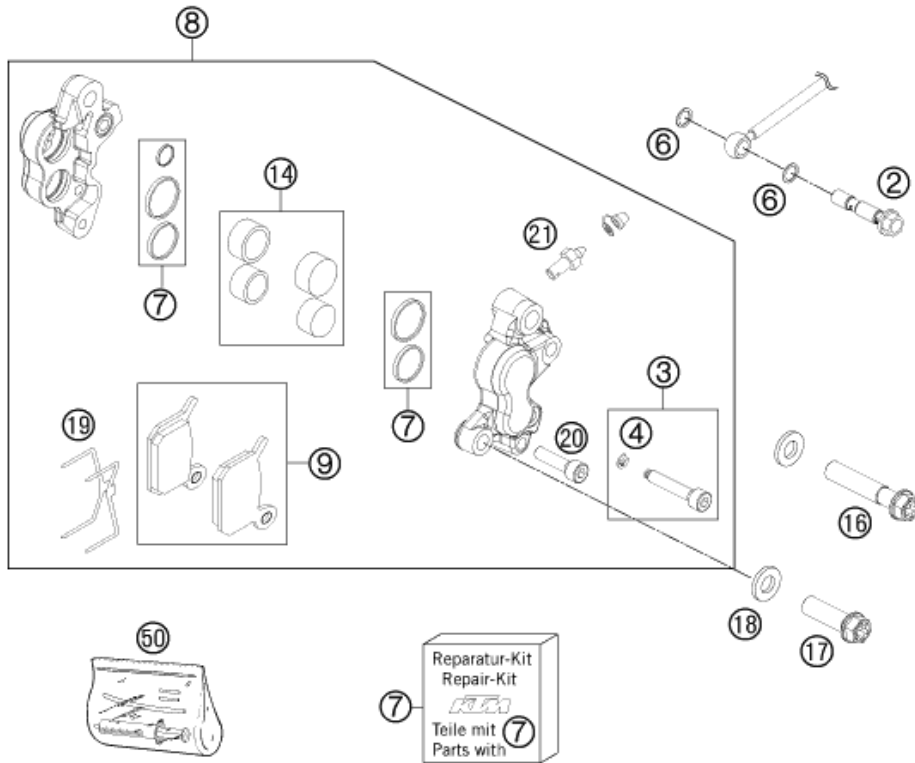
| POS | PARTNUMBER | PARTNAME | PIECE |
|-----|-------------|--------------------------------|-------|
| 22 | 0025060166 | HH COLLAR SCREW M6X16 TX30 | 2 |
| 23 | 56509064100 | SELF LOCKING NUT M6 10.9 | 3 |
| 43 | 0934060003 | HEXAGON NUT DIN0934-M 6 | 1 |
| 46 | 54310086200 | SELF LOCKING NUT M8 10.9 | 1 |
| 47* | 0991060202 | FLAT HEAD DIN7991-M 6X20 | 1 |
| 48 | 45203063000 | BRAKE LEVER STOP | 1 |
| 50 | 45213050000 | FOOT BRAKE LEVER | 1 |
| 52* | 54603062100 | RETURN SPRING FOR BRAKE LEVER | 1 |
| 53 | 45213053000 | LOCK WASHER 50 SX | 1 |
| 55 | 46213055000 | SWIVEL HEAD KA6 INNOX | 1 |
| 56 | 46213056000 | PUSH ROD | 1 |
| 60 | 46113060000 | REAR BRAKE CYL. 50+65 04 | 1 |
| 61 | 47013061000 | REP. SET PISTON REAR D=11 2003 | 1 |
| 62 | 47013062000 | CYLINDER COVER REAR 85 SX 03 | 1 |
| 63 | 47013063000 | GASKET CYLINDER COVER REAR 03 | 1 |
| 65 | 46113325000 | HOLLOW SCREW M6 | 1 |
| 66 | 0912040103 | AH.SCREW DIN0912-M 4X10 | 2 |
| 70 | 45113170000 | BRAKE HOSE REAR 50 LC 04 | 1 |
| 71 | 0770060019 | O-RING 6,00X1,00 FORMULA | 2 |
| 80 | 00062030000 | BRAKE FLUID DOT5.1 0,25L | 1 |

124521330

C164521330

* NEW PART

X ON DEMAND



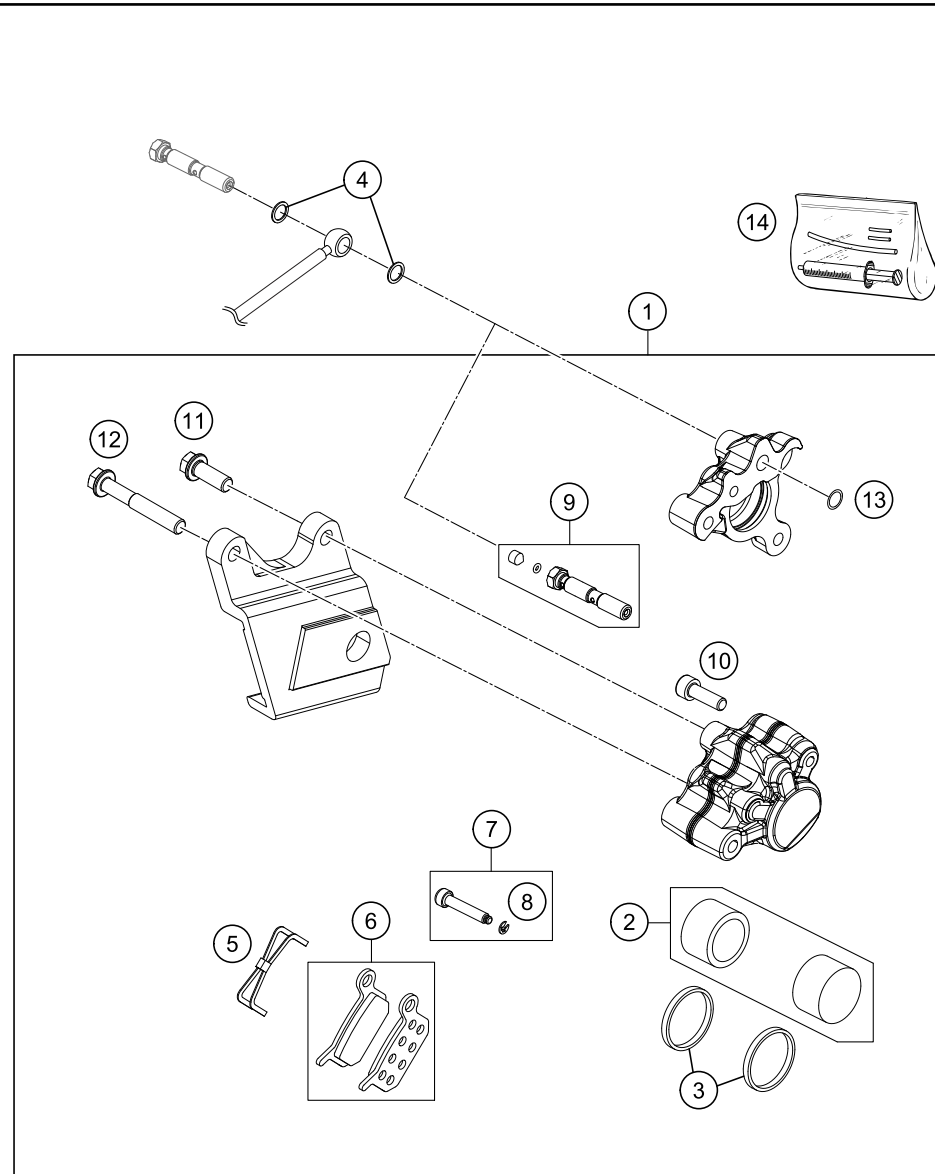
| POS | PARTNUMBER | PARTNAME | PIECE |
|-----|-------------|--------------------------------|-------|
| 2 | 45113025000 | HOLLOW SCREW M6X34 50 LC 2002 | 1 |
| 3 | 45113125000 | AH SCREW+CIRCLIP LC 50 02 | 1 |
| 4 | 0799025000 | TAB WASHER DIN6799 RS2,5 | 1 |
| 6 | 0770060019 | O-RING 6,00X1,00 FORMULA | 2 |
| 7 | 45113019000 | REP.KIT SEAL RING 50LC 2002 | 1 |
| 8 | 45113015000 | BRAKE CALIPER CPL.FR. 50 LC 02 | 1 |
| 9 | 45113030000 | BRAKE PAD SET 50 LC 2002 | 1 |
| 14 | 45113019050 | REPAIR KIT BRAKEPISTON | 1 |
| 16 | 0025080406 | HH COLLAR SCREW M8X40 TX40 | 1 |
| 17 | 0025080256 | HH COLLAR SCREW M8X25 TX40 | 1 |
| 18 | 0125080003 | WASHER DIN0125-A 8,4 | 2 |
| 19 | 45113018000 | RETAINING SPRING 50 LC | 1 |
| 20 | 0912050203 | AH SCREW DIN0912-M 5X20 | 1 |
| 21 | 45113020000 | BREATHER SCREW 50 2002 | 1 |
| 50 | 45119050000 | BLEEDER INJECTION-SET 50-65 | x |

124521360

C124521360

* NEW PART

X ON DEMAND



| POS | PARTNUMBER | PARTNAME | PIECE |
|-----|-------------|-----------------------------|-------|
| 1 | 45213080000 | BRAKE CALIPER REAR | 1 |
| 2 | 45113019100 | REPAIR KIT BRAKEPISTON | 1 |
| 3 | 0770022020 | O-RING 22X2X2 EPDM | 2 |
| 4 | 0770060019 | O-RING 6,00X1,00 FORMULA | 2 |
| 5 | 45113018000 | RETAINING SPRING 50 LC | 1 |
| 6 | 45113030000 | BRAKE PAD SET 50 LC 2002 | 1 |
| 7 | 45113225000 | AH SCREW + CIRCLIP 50/65 04 | 1 |
| 8 | 0799025000 | TAB WASHER DIN6799 RS2,5 | 1 |
| 9 | 46113225000 | HOLLOW SCREW CPL. | 1 |
| 10 | 0912050163 | AH SCREW DIN0912-M 5X16 | 1 |
| 11 | 0025060166 | HH COLLAR SCREW M6X16 TX30 | 1 |
| 12 | 0025060406 | HH COLLAR SCREW M6X40 TX30 | 1 |
| 13 | 0770080019 | O-RING 8,00X1,00 FORMULA | 1 |
| 14 | 45119050000 | BLEEDER INJECTION-SET 50-65 | x |

144521390

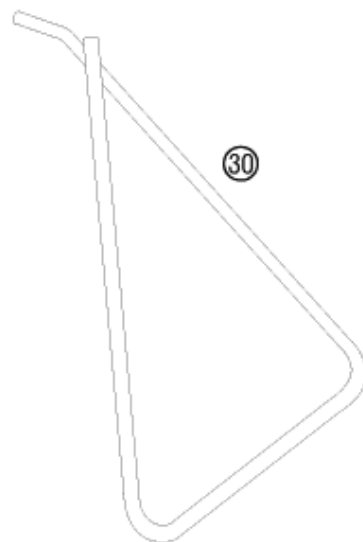
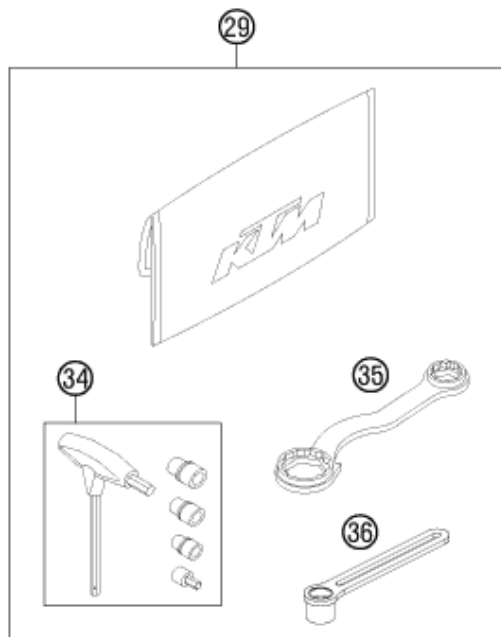
C154521390

* NEW PART

X ON DEMAND

0
OHNE ABBILDUNG
WITHOUT ILLUSTRATION

1
TECHNISCHE DOKUMENTATION
TECHNICAL DOCUMENTATION
DOCUMENTACION TECNICA
DOCUMENTATION TECHNIQUE
NOTE TECNICHE



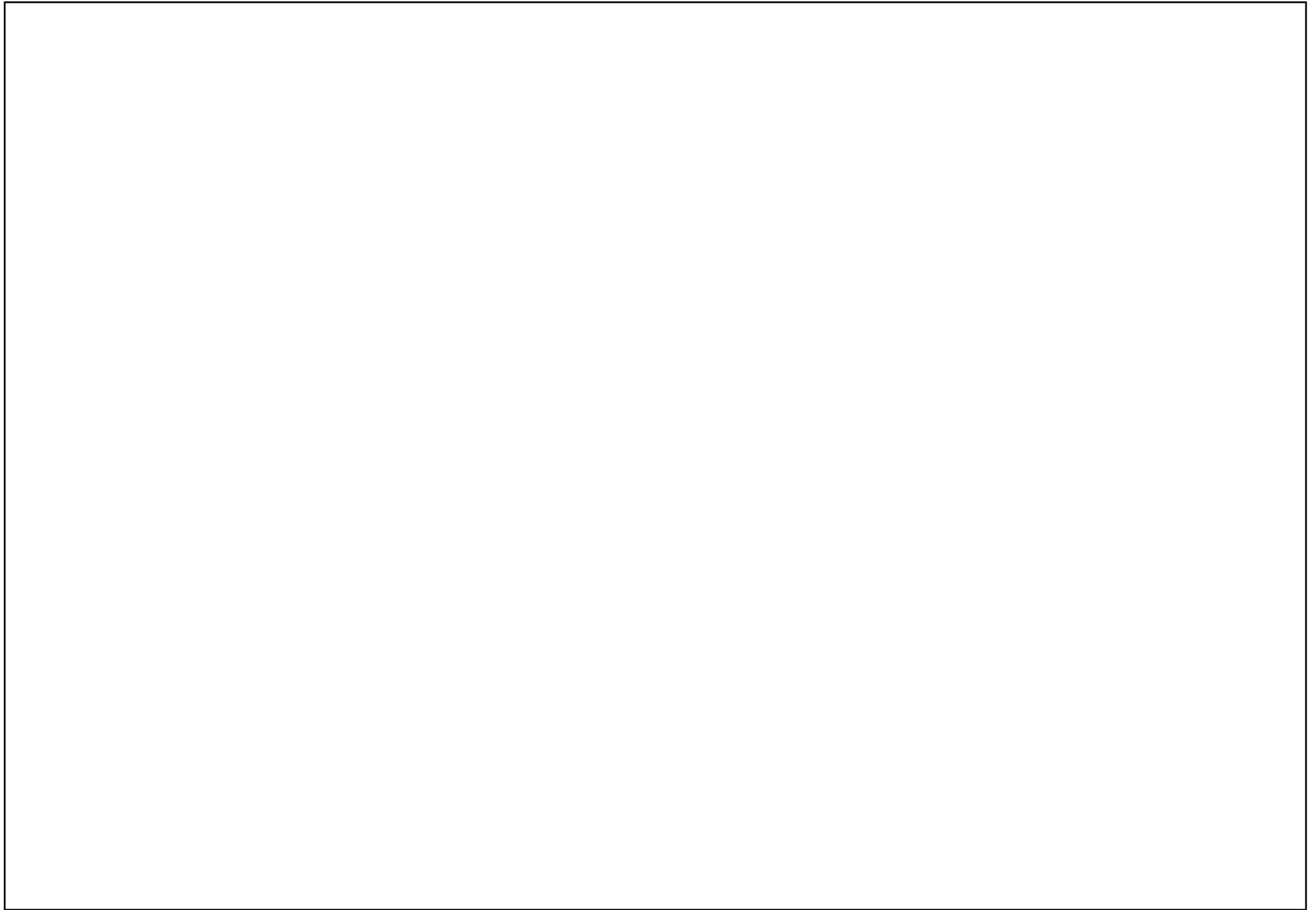
124522000

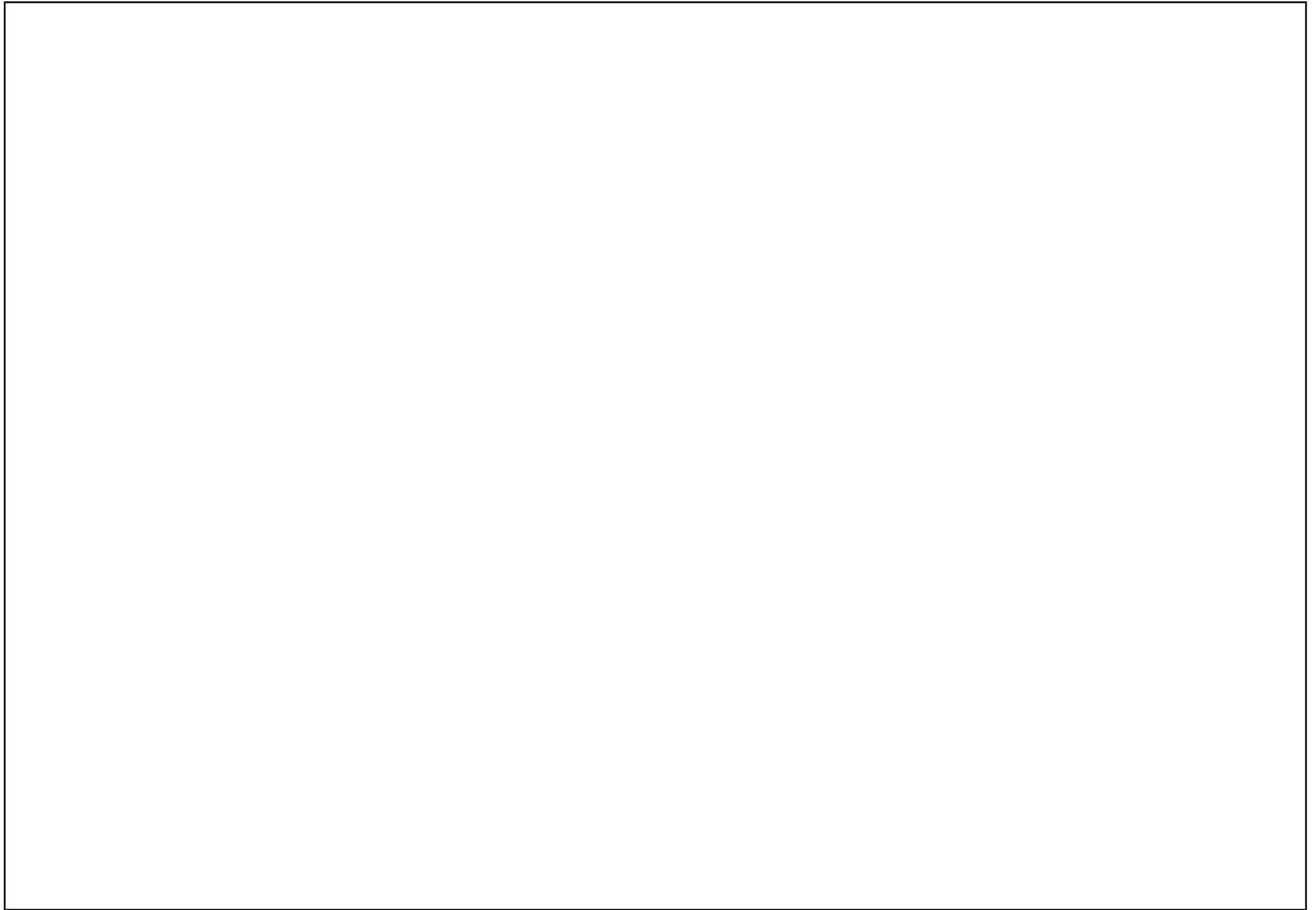
| POS | PARTNUMBER | PARTNAME | PIECE |
|-----|--------------|--------------------------------|-------|
| 0 | 50306009000 | STICKER "TWIN AIR" | 1 |
| 0 | 3212597DE/GB | PP OFFROAD FOLDER 2015 | 1 |
| 0 | 3212601GB | POWER WEAR FOLDER 2015 | 1 |
| 0 | 3210039 | * CUSTOMER WELCOME LETTER | 1 |
| 0 | 312313 | KTM BALLPOINT PEN ORANGE | 1 |
| 0 | 312305 | DOCUMENTS BAG 2006 | 1 |
| 1 | 3213327EN | OWN.-MAN. 50SX/50SX MINI 2016 | 1 |
| 1 | 322000 | SAFETY BROCHURES SPORTMINICYC. | 1 |
| 29 | 45229099000 | TOOL KIT 50 SX 09 | 1 |
| 30 | 45103023300 | PLUG-IN STAND 50 SEN LC 03 | 1 |
| 34 | 60029070300 | T-WRENCH WS=6/8/10/TX45/SK4X1 | 1 |
| 35 | 50329080100 | WRENCH SW=17/21/27/32 B&F | 1 |
| 36 | 45229073000 | SPARK PLUG WRENCH | 1 |

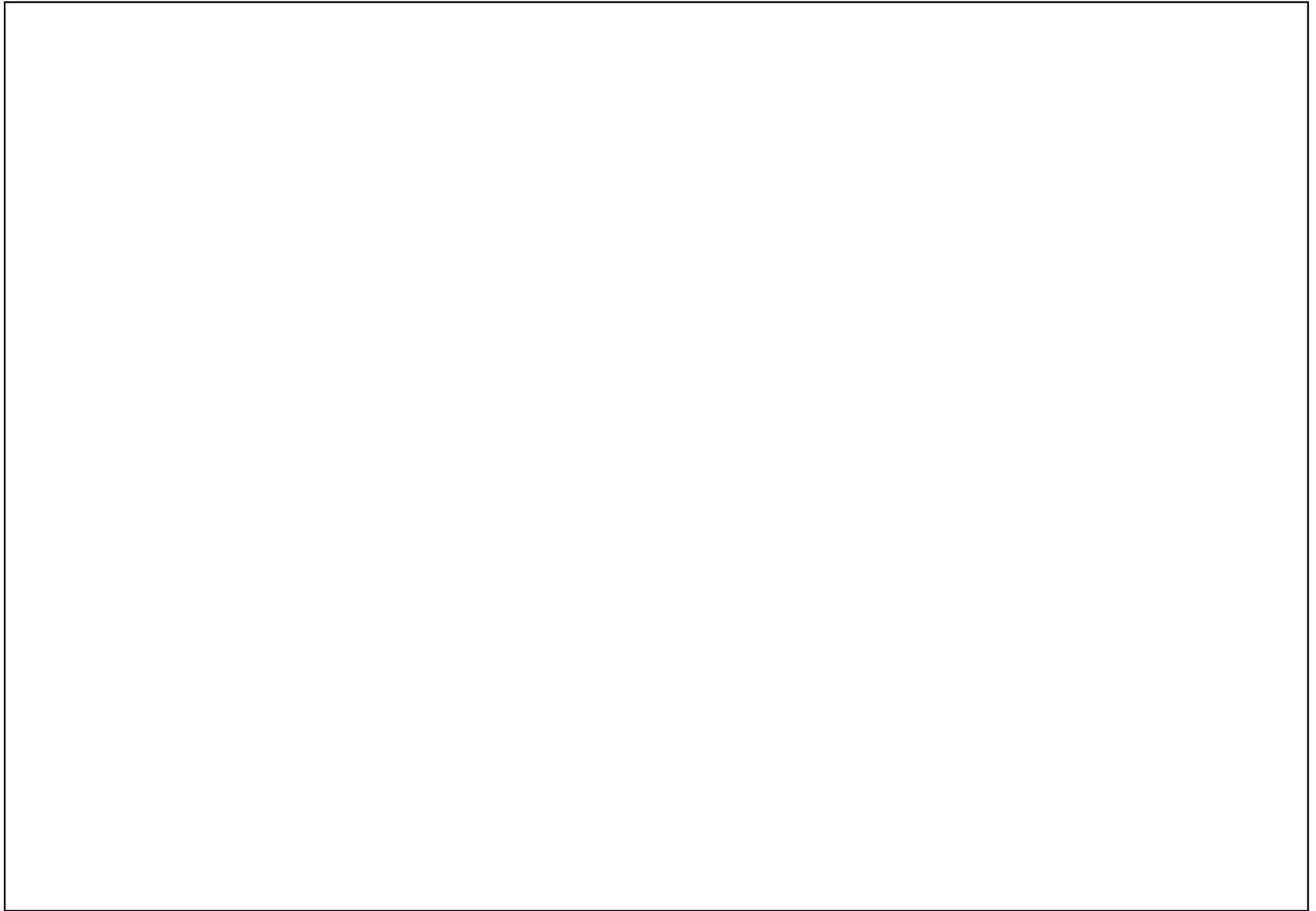
C164522000

* NEW PART

X ON DEMAND







WWW.KTM.COM



KTM Sportmotorcycle GmbH
5230 Mattighofen, Austria
www.ktm.com



KTM_POWERPARTS

KTM_POWERWEAR

KTM_ORIGINAL SPARE PARTS



3CFF6001P4EN

Art. Nr.: 3CFF6001P4EN 28. Mai 2015