



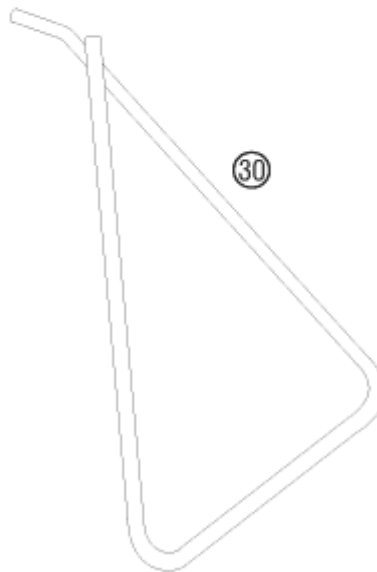
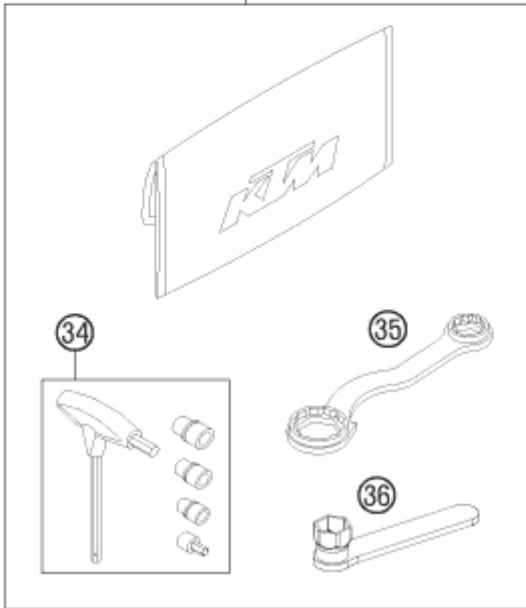
①

OHNE ABBILDUNG
 WITHOUT ILLUSTRATION

①

TECHNISCHE DOKUMENTATION
 TECHNICAL DOCUMENTATION
 DOCUMENTACION TECNICA
 DOCUMENTATION TECHNIQUE
 NOTE TECNICHE

②



Pos	Item Number	Description	Qty
0	0024060136	HH COLLAR SCREW M6X13 TX30	4
0	312305	DOCUMENTS BAG 2006	1
0	312313	KTM BALLPOINT PEN ORANGE	1
0	3210039	* CUSTOMER WELCOME LETTER	1
0	3212651DE/ENE	PP OFFROAD FOLDER 2016	1
0	3212655ENE	POWER WEAR FOLDER 2016	1
0	44011076140	CABLE TIE 140/2,5MM BLACK	2
0	44011076200	CABLE TIE 200/3,6MM BLACK	3
0	46308010000EB	FRONT FENDER 65SX ORANGE	1
0	52000142	FORK DECAL SET "AER35"	1
0	78112920000	HOUR METER KTM	1
1	3213470EN	OWN. MANUAL 65 SX 2017	1
1	322000	SAFETY BROCHURES SPORTMINICYC.	1
29	45229099000	TOOL KIT 50 SX 09	1
30	47003020000	PLUG IN STAND SX 85 2003	1
34	60029070300	T-WRENCH WS=6/8/10/TX45/SK4X1	1
35	50329080100	WRENCH SW=17/21/27/32 B&F	1
36	45229073000	SPARK PLUG WRENCH	1