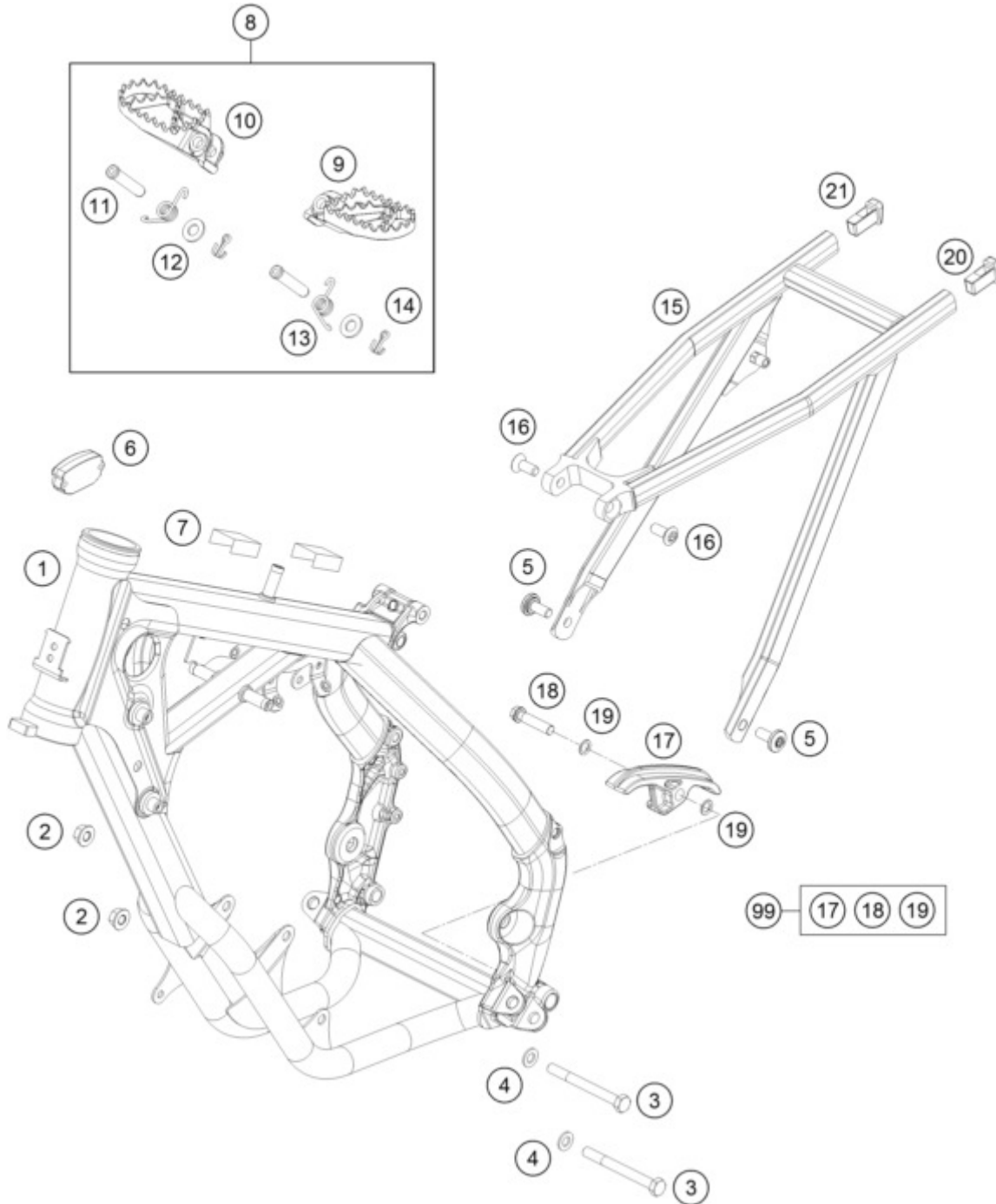




65 SX <2017> <EU> <F6001Q6>

FRAME
C174630310

Pos	Item Number	Description	Qty
1	4630300100033	FRAME "463P3" BLACK	1
2	06923080003	HEXAGON NUT DIN EN1661 M8 SW13	2
3	09310808055	HH SCREW DIN931 M8X80 SS	2
4	0125080003	WASHER DIN0125-A 8,4	2
5	79003003000	SPECIAL SCREW M8X18 TORX45 SS	2
6	78112920000	HOUR METER KTM	1
7	50307012000	ADH. FOIL TRANSP. 80X80 MM 04	2
8	47103040033	FOOTREST CPL. 14	1
9	47103040000	FOOTREST L/S	1
10	47103041000	FOOTREST R/S	1
11	54803044000	PIN FOR FOOT PED 51.5X9.8 MM	2
12	0125100003	WASHER DIN0125-A10,5	2

13	54603041000	FOOTREST SPRING L/S & R/S	2
14	0094032253	PIN DIN0094-3,2X25 STEEL	2
15	46303002000	SUBFRAME 65SX 2016	1
16	0019080206S	FLAT HEAD SCREW M. ISA45 M8X20	2
17	77303053000	CHAIN SLIDING PIECE BELOW 07	1
18	0025080356	HH COLLAR SCREW M8X35 TX40	1
19	36003014000	LOCK WASHER 8MM	2
20	78103002010	SUB FRAME APPLICATION LEFT	1
21	78103002020	SUB FRAME APPLICATION RIGHT	1
99	77303053110	CHAIN SLIDING KIT BELOW 09-15	1