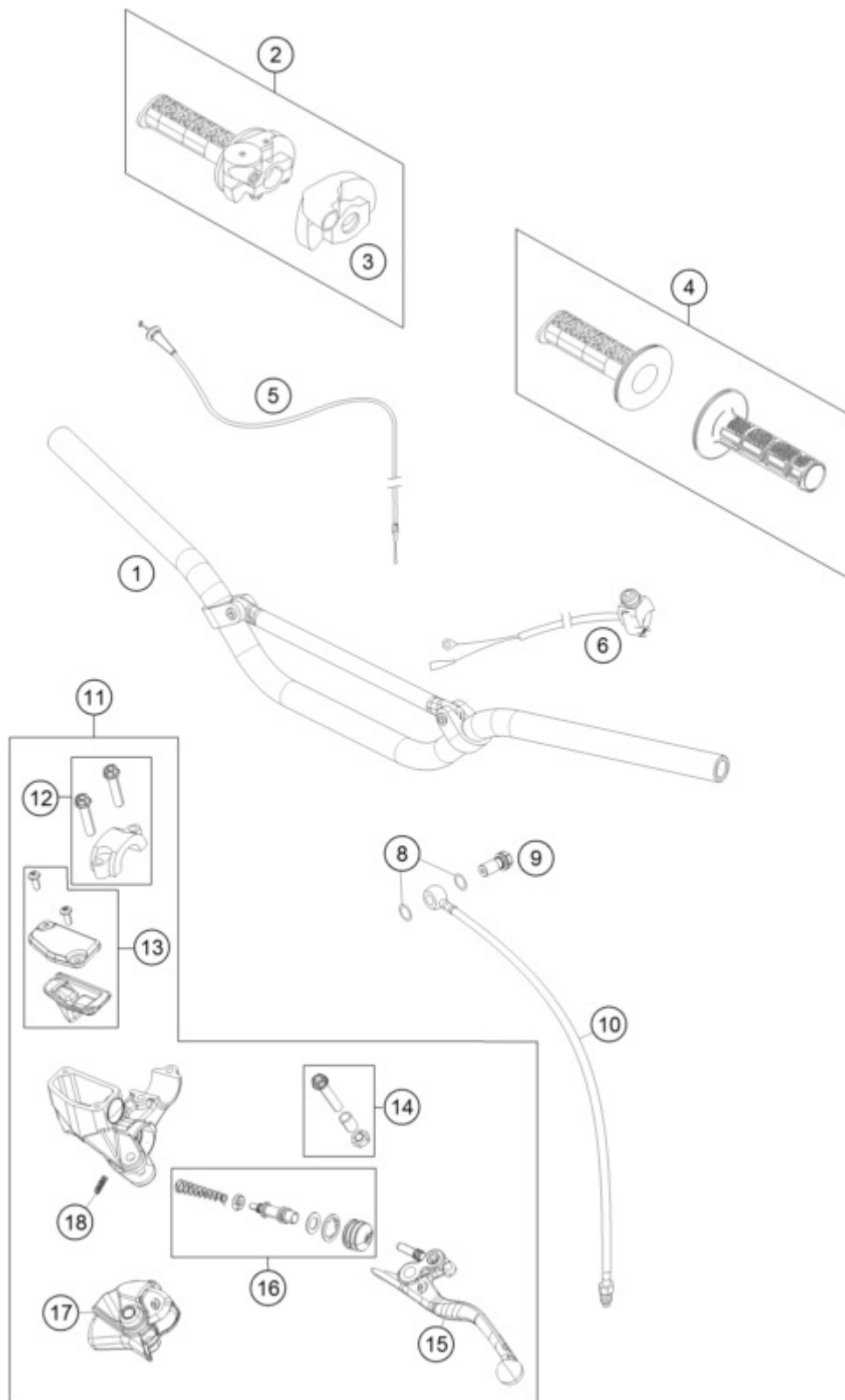




65 SX &lt;2017&gt; &lt;EU&gt; &lt;F6001Q6&gt;

HANDLEBAR, INSTRUMENTS

C174630210



Pos	Item Number	Description	Qty
1	46302001000	HANDLEBAR 65 SX 2016	1
2	46202010000	THROTTLE GRIP 65SX 09	1
3	50302020000	PROTECTION COVER '97	1
4	63002021100	GRIP SET DUAL COMPOUND	1
5	46202091000	THROTTLE CABLE 65 SX 2009	1
6	50311089200	SHORT CIRCUIT BUTTON 02	1
8	0770080019	O-RING 8,00X1,00 FORMULA	2

9	47013025000	HOLLOW SCREW BRAKE CYLINDER 03	1
10	47132063000	CLUTCH PIPE	1
11	72002030100	MASTER CYLINDER CPL. 10MM	1
12	72013005000	CLAMP	1
13	72002003000	COVER F. MASTER CYLINDER CPL.	1
14	70002038000	LEVER SCREW CPL.	1
15	72013002000	LEVER CPL.	1
16	72002032000	REP. KIT PISTON 10MM	1
17	72002037000	MUDCOVER CLUTCH LEVER	1
18	72002035000	SPRING FOR CLUTCH LEVER	1