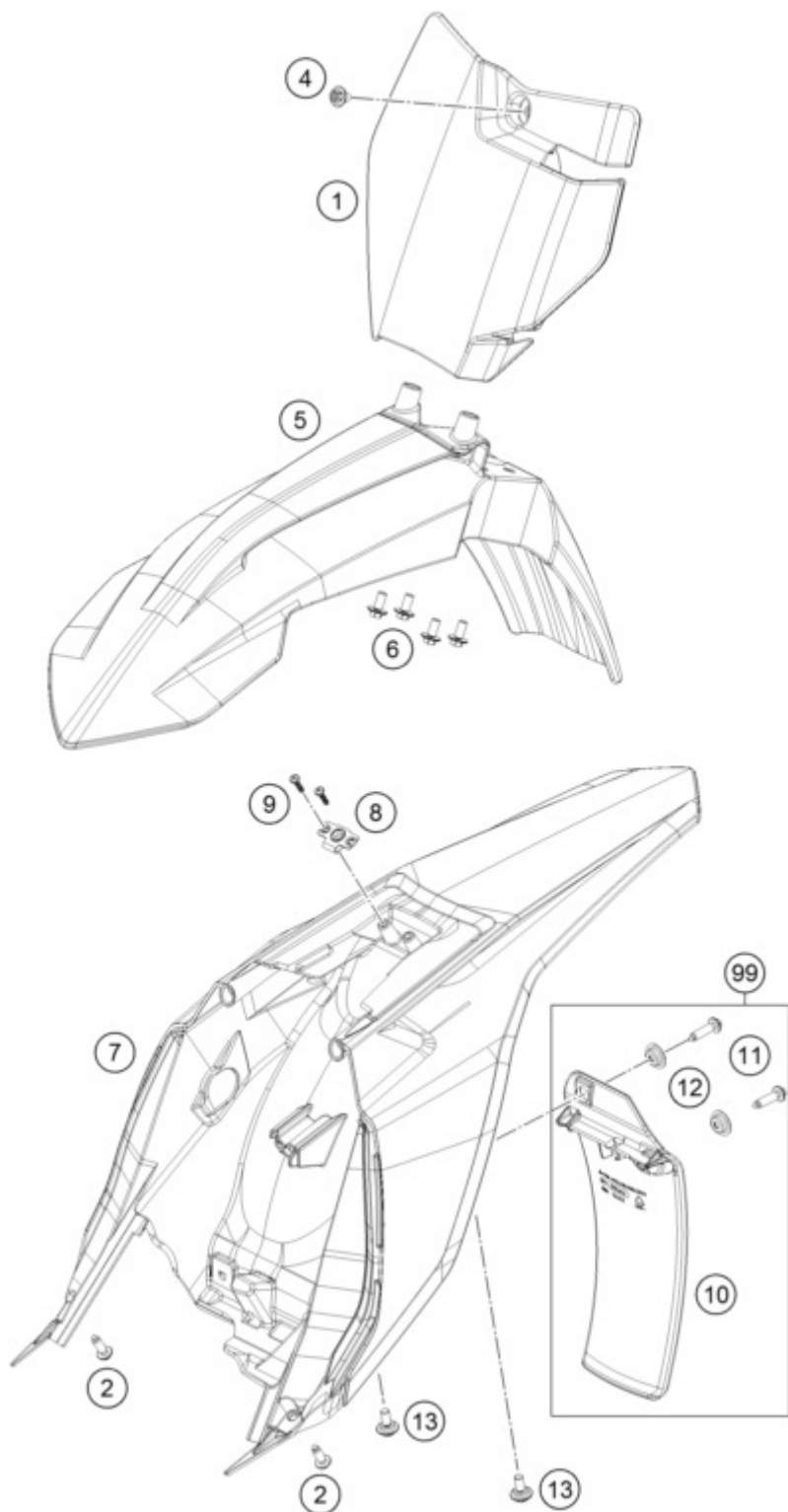




65 SX <2017> <EU> <F6001Q6>

MASK, FENDER

C174630810



Pos	Item Number	Description	Qty
1	4630800700028	NUMBER PLATE 65SX WHITE	1
2	0017060205	SCREW FOR PLASTIC K60X20 SW6	2
4	0024060106	HH COLLAR SCREW M6X10 TX30	1
5	46308010000EB	FRONT FENDER 65SX ORANGE	1
6	0024060136	HH COLLAR SCREW M6X13 TX30	4
7	4630801300028B	REAR PART 65SX 17	1
8	45007040050	QUICK RELEASE LATCHPLATE	1
9	0981350133	SHEET MET.SCR.DIN7981-3,5X13	2

10	46306010000	SPLASH PROTECTION 65SX 2016	1
11	0017060255	EJOT PT SCREW K60X25-Z SW6	2
12	46104066050	BUSH FOR CHAINSLIDER GUARD 02	2
13	83008000015	SPECIAL SCREW M6X15X3	2
99	46306010010	SPLASH PROTECTION KIT	0