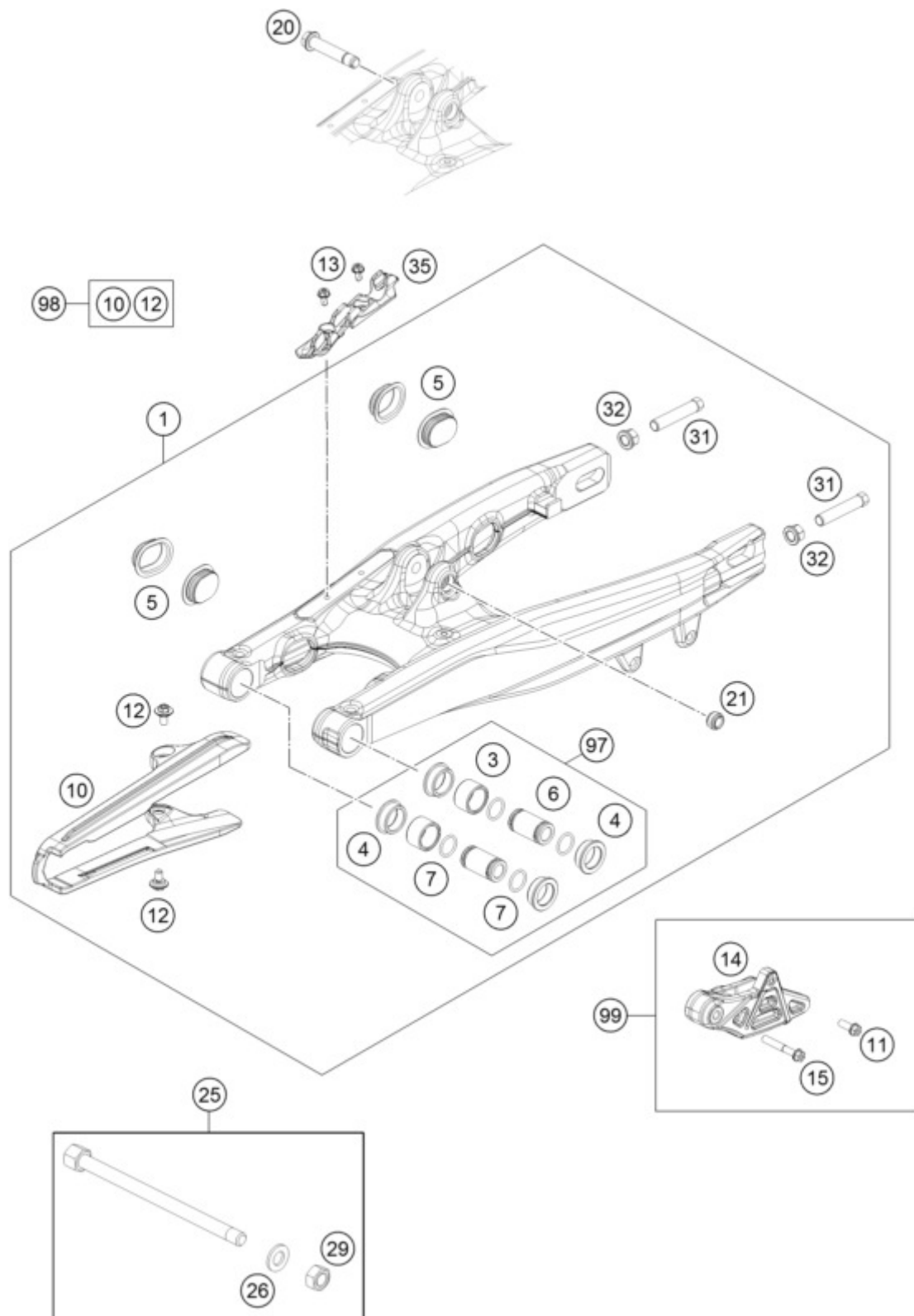




65 SX &lt;2017&gt; &lt;EU&gt; &lt;F6001Q6&gt;

SWING ARM

C174630490



Pos	Item Number	Description	Qty
1	46304030044	SWING ARM CPL. 65 SX 2016	1
3	54603097000	NEEDLE BUSH HK 2016	2
4	46004030070	SPACER BUSHING 20X26X30X9,7	4
5	77204041000	CLOSING COVER	4
6	46004030071	BUSHING BOX 12X20X36,5	2
7	0770160021	O-RING 16,00X2,00 VITON	4
10	46304066000	CHAIN SLID. GUARD	1

11	0025060166	HH COLLAR SCREW M6X16 TX30	1
12	83008000012	SPECIAL SCREW M6X12X3	2
13	0009050106	EJOT SPIRAL SCREW SF M5X10-K	2
14	46304070000	CHAIN GUIDE	1
15	0025060406	HH COLLAR SCREW M6X40 TX30	1
20	77204089000	HH COLLAR SCREW M10X52 SW13	1
21	69004095000	ADAPTOR NUT M10	1
25	46204037033	SWINGARM BOLT CPL. 201MM	1
26	0125120003	FLAT WASHER DIN0125-A13	1
29	0934120103	HEXAGON NUT DIN0934-M12X1	1
31	50203030090	HH SCREW M8X40 WS=10	2
32	46030045000	COLLAR NUT M8 WS=10	2
35	47113047000	BRAKE HOSE GUIDE	1
97	45204230010	SWINGARM REP. KIT 50/65 SX	1
98	46304066010	CHAIN GUARD KIT 2016	1
99	46307066010	CHAIN GUIDE KIT REAR 2016	1