

# 65 SX 2008

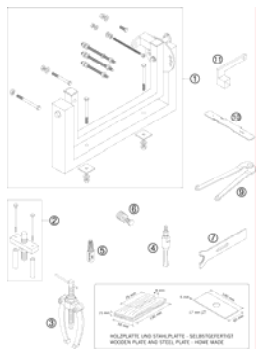
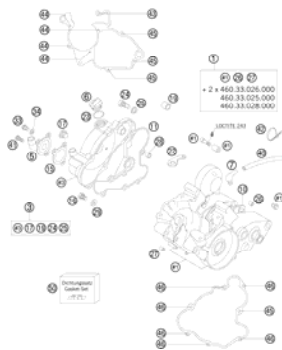
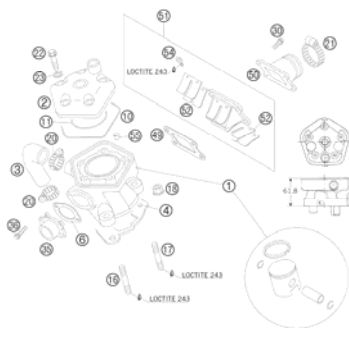
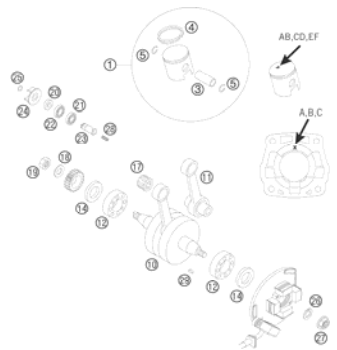
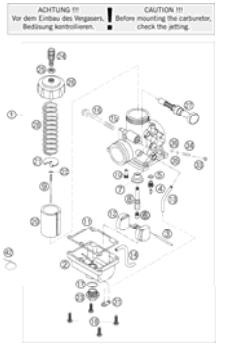

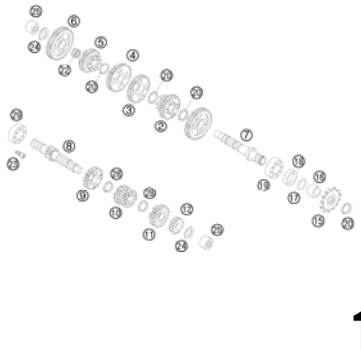

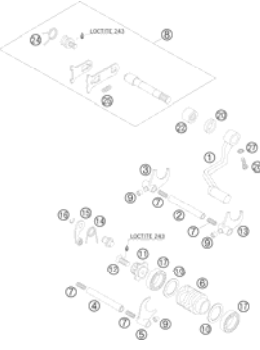
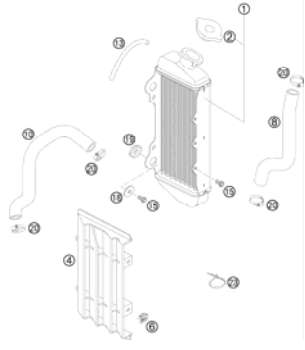
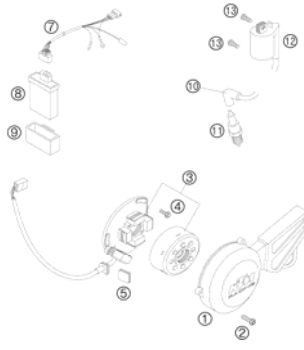
**SPARE PARTS MANUAL: ENGINE**


ART.NO.: 3CM080208HEN

ENGLISH





<b>SPECIAL TOOLS</b>  <b>3</b>	<b>ENGINE CASE</b>  <b>4</b>	<b>CYLINDER</b>  <b>5</b>	<b>CRANKSHAFT, PISTON</b>  <b>6</b>
<b>CARBURETOR</b>  <b>7</b>	<b>CLUTCH</b>  <b>9</b>	<b>TRANSMISSION</b>  <b>10</b>	<b>KICK STARTER</b>  <b>11</b>
<b>SHIFTING MECHANISM</b>  <b>12</b>	<b>COOLING SYSTEM</b>  <b>13</b>	<b>IGNITION SYSTEM</b>  <b>14</b>	

		<p>All information contained is without obligation. KTM-Sportmotorcycle AG particularly reserves the right to modify any equipment, technical specifications, prices, colors, shapes, materials, services, service work, constructions, equipment and the like so as to adapt them to local conditions or to cancel any of the above items, all without previous announcement and without giving reasons. KTM may stop manufacturing certain models without previous notice. KTM shall not be held liable for any deviations of availability and/or ability to deliver, illustrations, descriptions, printing and/or other errors. The illustrated models partly contain extra equipment, which is not applied to standard models. © by KTM-SPORTMOTORCYCLE AG, Mattighofen AUSTRIA; All rights reserved; Reprint, also in extracts, with written allowance of KTM-SPORTMOTORCYCLE AG, Mattighofen only.</p>	

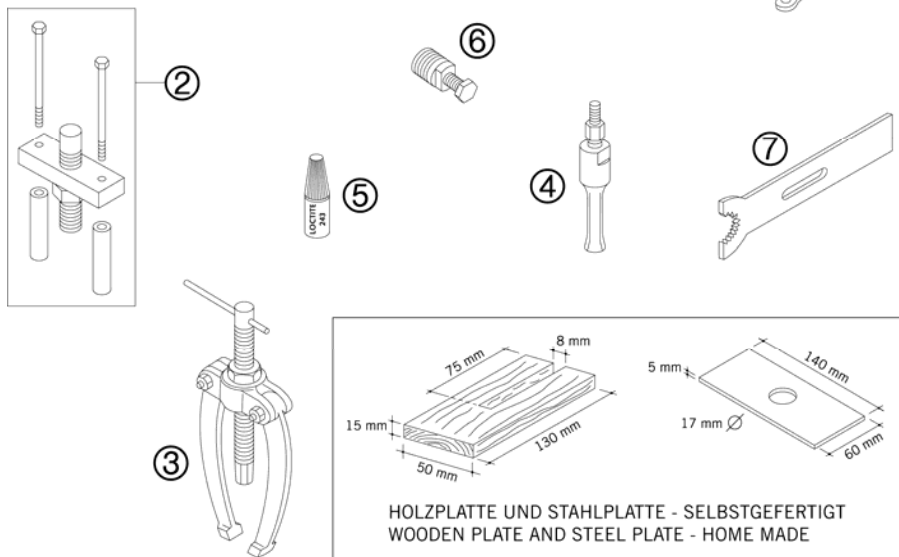
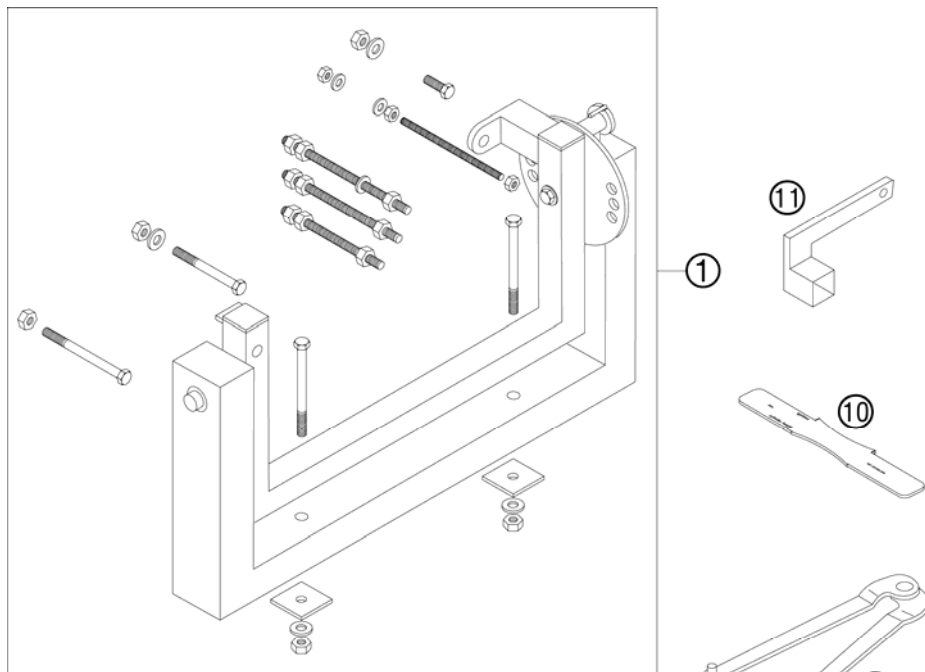


FIG	PART NUMBER	DESCRIPTION	QTY
1	56012001044	UNIVERSAL MOUNTING RACK CPL.	1
2	49112008000	MOUNTING TOOL	1
3	15112017000	BUSHING EXTRACTOR	1
4	15112018000	INTERN.BEAR.PULLER 12-16 MM	1
5	6899785	LOCTITE 243 BLUE 6CCM	1
6	54629009044	MAGNETIC PULLER M 27X1 KOKUSAN	1
7	49012004000	HOLDER FOR PRIMARY WHEEL	1
9	15112021000	HOLDING WRENCH FOR ROTOR	1
10	46129006100	ADJUSTING PLATE 65 SX 2003	1
11	46029002000	ENGINE BRACKET FOR 60/65 CCM	1

084612910 / C084612910

\* NEW PART

X AS REQUIRED

# ENGINE CASE

65 SX 2008

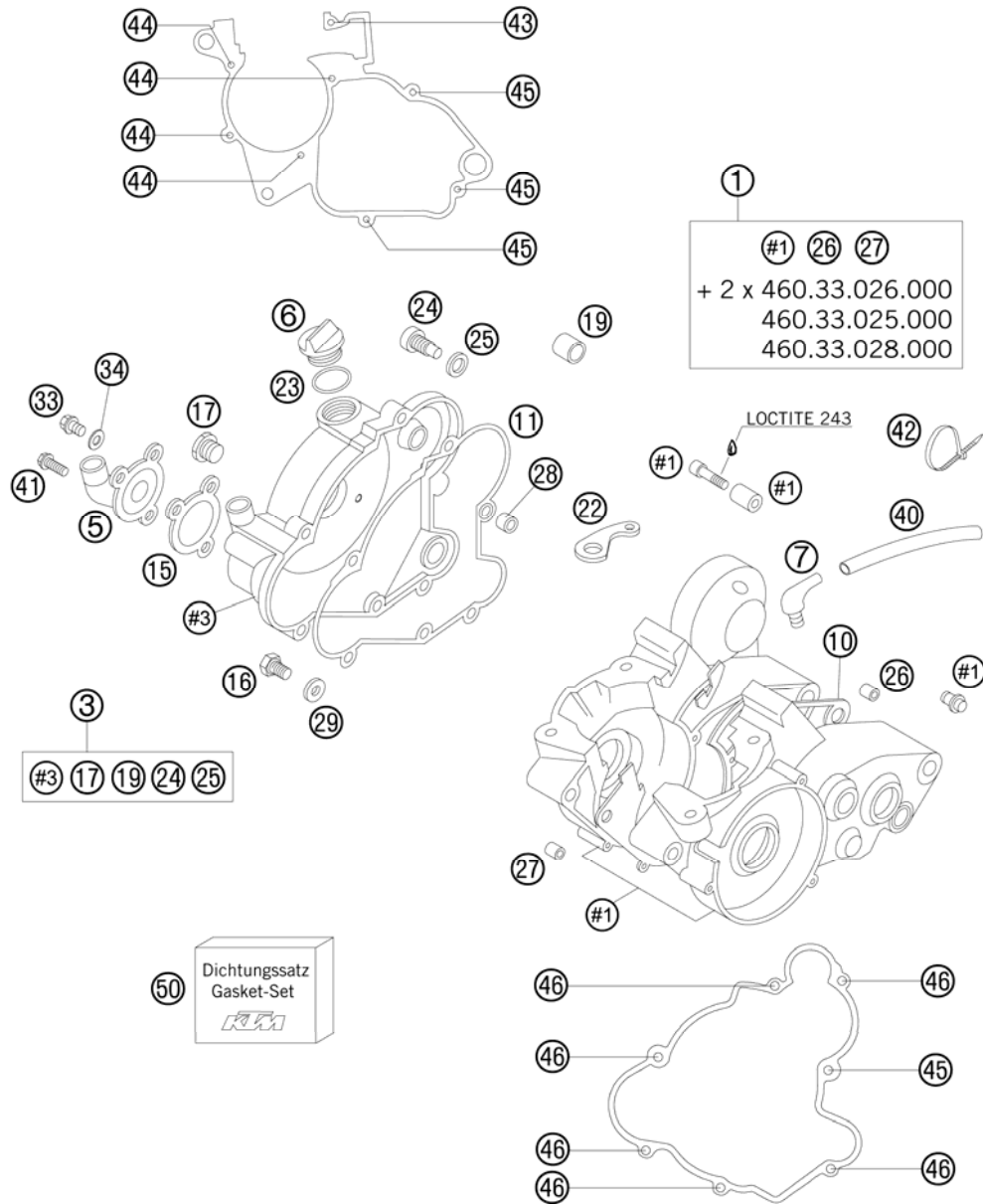


FIG	PART NUMBER	DESCRIPTION	QTY
1	4603000344	ENGINE CASE CPL. 65 SX 2007	1
3	46030001200	CLUTCH COVER CPL. 65 SX 2002	1
5	45135052000	WATER PUMP COVER 50 LC 2002	1
6	58030020000	PLUG M 24X3	1
7	51030022000	ANGLE PIECE 90 DEGREE M10X1	1
10	46030039000	ENGINE CASE GASKET 60/65	1
11	46030025000	CLUTCH COVER GASKET INSIDE	1
15	45135053000	GASKET WATER PUMP COVER 02	1
16	46030021100	OIL DRAIN PLUG M10 WS=13	1
17	49030095000	LENS TYPE GN 540	1
19	46033068000	PRESS IN BUSH KICKSTARTER 65SX	1
22	46032059100	RELEASE LEVER 65 SX 2002	1
23	0770160030	O-RING 16,00X3,00 NBR 70	1
24	46033067000	SPECIAL SCREW 65 SX	1
25	46033067100	WASHER F. SPECIAL SCREW 65 SX	1
26	46030023100	DOWEL 17X15	1
27	46030023000	DOWEL 12X14,5	1
28	46030024000	DOWEL 9X15	1
29	0603101420	COPPER GASKET 10,2X14X2 MM 01	1
33	0015060103	HH COLLAR SCREW M 6X10 WS=8	1
34	0603061001	CU-SEAL RING DIN7603-6X10X1	1
40	31007007001	PVC-HOSE 5 X 8 MM	x
41	0015060163	HH COLLAR SCREW M 6X16 WS=8	3
42	44011076100	CABLE TIE 100/2,5MM BLACK	x
43	0912060404	AH SCREW DIN0912-M 6X40 A2	1
44	0912060453	AH SCREW DIN0912-M 6X45	4
45	0912060303	AH SCREW DIN0912-M 6X30	4
46	0912060253	AH SCREW DIN0912-M 6X25	6
50	46030099100	GASKET SET CPL. 65 SX 2002	1

084613010 / C084613010

\* NEW PART

X AS REQUIRED

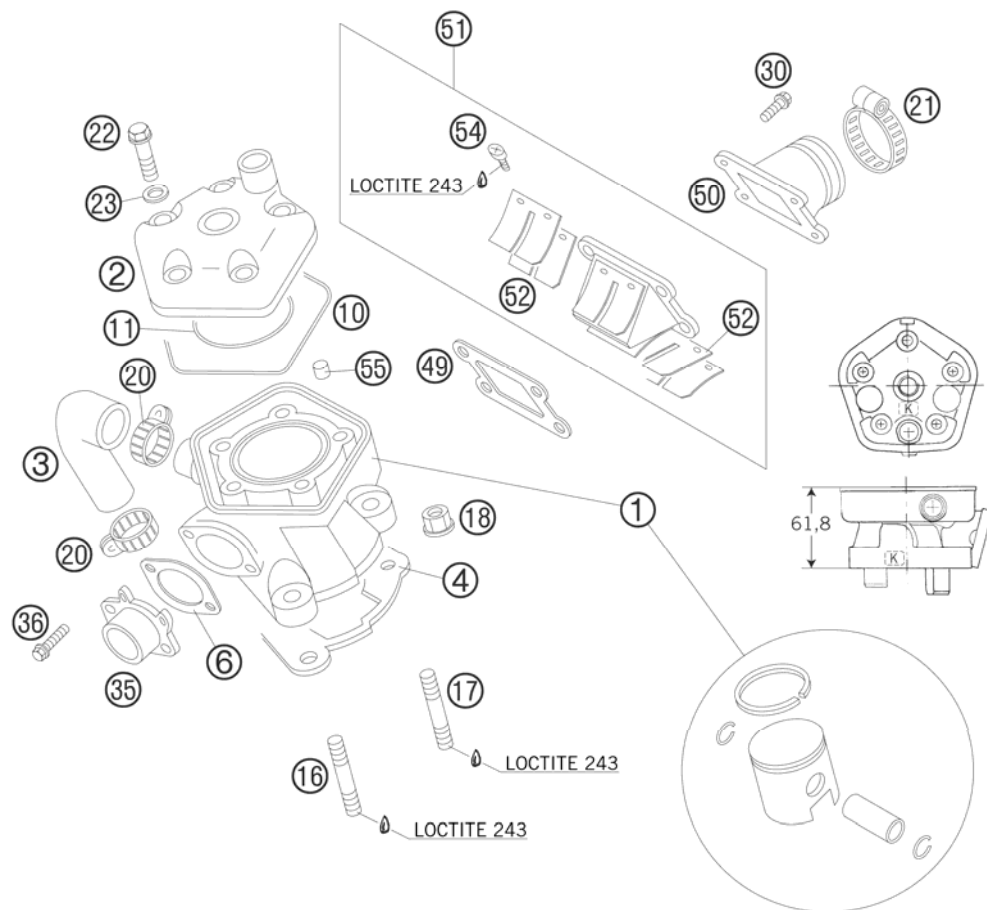


FIG	PART NUMBER	DESCRIPTION	QTY
1	46030005600	CYLINDER W.PISTON 45MM 65SX 03	1
2	46030006700	CYLINDERHEAD 65 SX 2003	1
3	46035027000	PRE-FORM.HOSE CYL.-CLUTCH COV.	1
4	46030035020	CYLINDER BASE GASKET 0,2 MM	x
4	46030035040	CYLINDER BASE GASKET 0,4 MM	x
4	46030035050	CYLINDER BASE GASKET 0,5 MM	x
4	46030035060	CYLINDER BASE GASKET 0,6 MM	x
6	46030046000	EXHAUST GASKET 60/65 CCM	1
10	46030037000	O-RING 94,97X1,78	1
11	46030036000	O-RING 53,7X1,78 VITON	1
16	46030043000	STUD M8X41	3
17	46030043100	STUD M8X44	1
18	46030045000	COLLAR NUT M8 WS=10	4
20	10001020000	HOSE CLAMP GEMI 16-27	2
21	31001027000	HOSE CLAMP 32-52MM D5	1
22	46030079100	CYLINDERHEADSCR.HH-M7X38 2003	5
23	50230032010	CU-SEAL RING 7,3 X 12 X 0,5	5
30	0015060203	HH COLLAR SCREW M 6X20 WS=8	4
35	46036040100	EXHAUST FLANGE 65 SX 2002	1
36	0015060203	HH COLLAR SCREW M 6X20 WS=8	2
49	46030049000	INTAKE VALVE GASKET	1
50	46030050000	INTAKE FLANGE	1
51	46030051144	MEMBRANE HOUSING CPL.65SX 2001	1
52	46030052000	MEMBRANE LOOSE 60/65 CCM	2
54	0985030063	FLAT HEAD SCREW DIN7985-M 3X6	4
55	45130023000	DOWEL 7X9X10	2

084613040 / C084613040

\* NEW PART

X AS REQUIRED

# CRANKSHAFT, PISTON

65 SX 2008

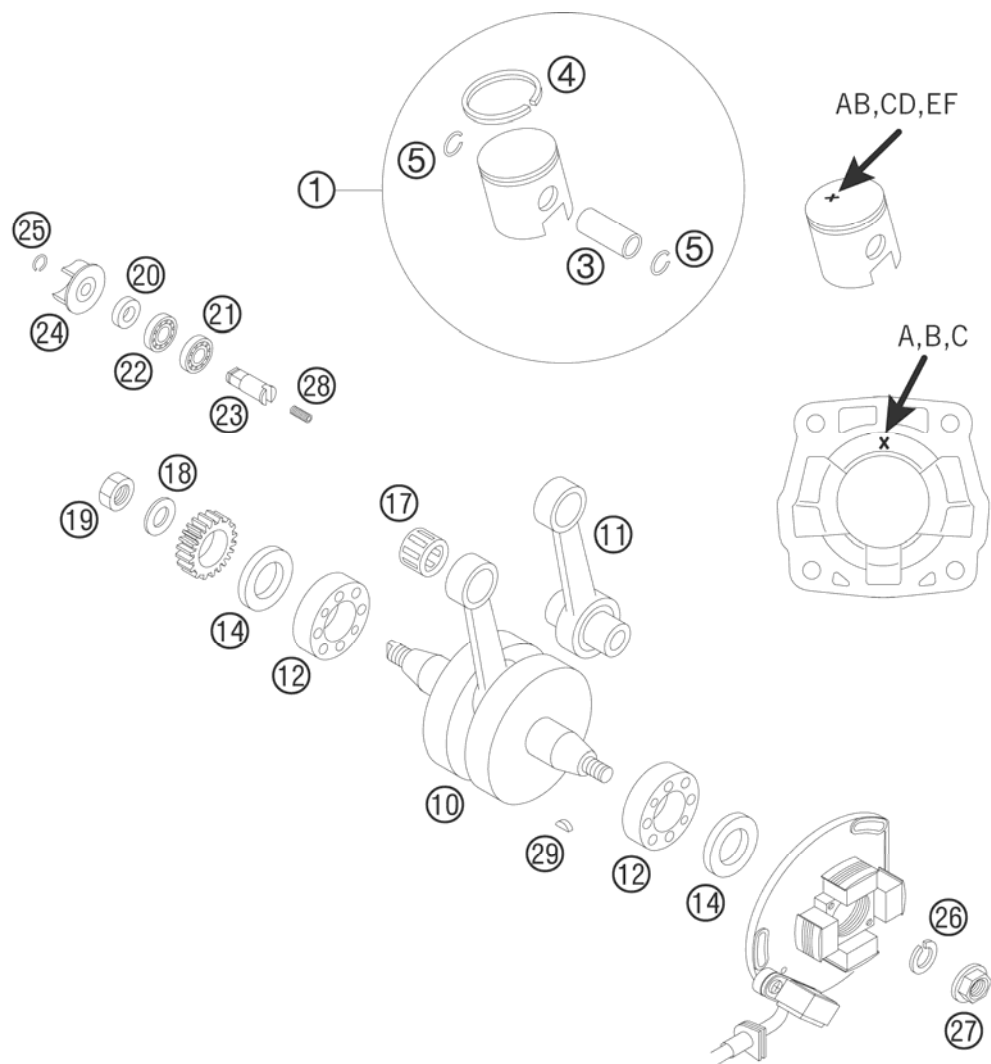


FIG	PART NUMBER	DESCRIPTION	QTY
1	46030007500 A	PISTON CPL. 45MM "A/B" 65'98	x
1	46030007500 C	PISTON CPL. 45MM "C/D" 65'98	x
1	46030007500 E	PISTON CPL. 45MM "E/F" 65'98	x
3	46030033000	PISTON PIN 12X38	1
4	46030030500	PISTON RING 45MM 65CCM	1
5	45130074000	CIRCLIP 2001	2
10*	46130018000	CRANKSHAFT CPL. STROKE 40,8 07	1
11	46030015100	CONN.ROD REPAIR SET 65 SX 2003	1
12	46030082200	GROOVED BALL BEAR.20X52X15 NTN	2
14	47030076100	SEAL SHAFT RING 20X35X6 BTSL	2
17	46030034000	NEEDLE BEAR.PISTONPIN 12X15X17	1
18	46030078100	LOCKING WASHER 14X20X1	x
18	47033040000	STOP DISC 15X25X1	x
19	46030029100	HH-NUT M14X1,25X5 '99	1
20	46035056100	SHAFT SEAL RING 10X18X4	1
21	46035057000	WATER PUMP BEARING 10X19X5	1
22	46035058000	WA.PU.BEAR. 10X19X5 DOUBLELIP	1
23*	45135054100	WATER PUMP SHAFT 50 LC 2007	1
24	46035055100	WATER PUMP WHEEL 60/65 '99	1
25	0471090010	CIRCLIP DIN0471- 9X1	1
26	50230029012	LOCKING RING VSK 12	1
27	49030021000	COLLAR NUT M12X1 R/S	1
28	45135058000	SPRING FOR WATER PUMP SHAFT 04	1
29	0888030050	WOODRUFF KEY DIN6888-3X5X13	1

084613060 / C084613060

\* NEW PART

X AS REQUIRED



**ACHTUNG !!!**  
Vor dem Einbau des Vergasers,  
Bedüsung kontrollieren.

**CAUTION !!!**  
Before mounting the carburetor,  
check the jetting.

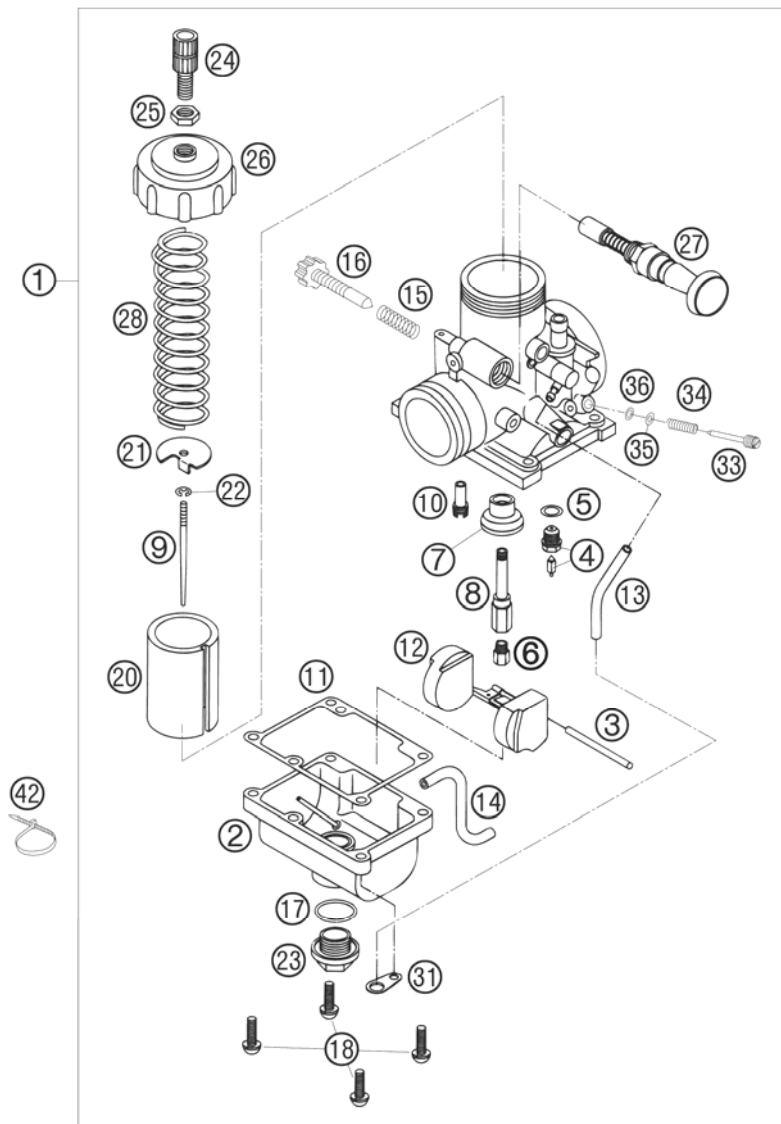


FIG	PART NUMBER	DESCRIPTION	QTY
1	46131001000	CARBURETOR MIKUNI VM24-505 04	1
2	46031011000	FLOAT BODY 5-1 VM24	1
3	45031008000	PIN 2,5X27	1
4	46131020000	NEEDLE VALVE CPL. VM24	1
5	46031018000	GASKET NEEDLE VALVE 9,1X12X0,5	1
6	45031023185	MAIN JET 185	x
6	45031023190	MAIN JET 190	x
6	45031023195	MAIN JET 195	x
6	45031023200	MAIN JET 200	1
6	45031023205	MAIN JET 205	x
7	46031074000	BUFFLE	1
8	46131021000	NEEDLE JET 864 0-0	1
9	45031034200	JET NEEDLE MIKUNI 5114	1
10	45031007025	IDLING JET 25 MIKUNI	1
11	45031010100	GASKET FLOAT BOWL	1
12	46031009000	FLOAT VM24	1
13	52031137001	PVC-HOSE 3X5MM	x
14	52031137001	PVC-HOSE 3X5MM	x
15	45031015100	SPRING MIKUNI	1
16	46031019000	THROTTLE VALVE SCREW M6X30	1
17	46031043000	O-RING 17,5X1,4	1
18	45031014016	LINTIL HEAD SCREW M4X16 (SET)	1
20	46131035000	THROTTLE VALVE 1.5	1
21	46031032000	HOLDING WASHER	1
22	45031045000	SPRING	1
23	46031014000	PLUG SCREW M16 WS=17	1
24	57031525000	ADJUSTMENT SCREW M6X0,75	1
25	45031026000	HH-NUT M6X0,75	1
26	46031027000	CARBURETOR COVER VM24	1
27	46031048044	COLD STARTER KNOB CPL. VM24	1
28	46031030000	THROTTLE VALVE SPRING VM24	1
31	46031081000	BRACKET FOR BREATHER HOSE	1
33	46131017000	ADJUSTING SCREW MIKUNI	1
34	45031015000	SPRING	1
35	46131032000	WASHER ADJUSTING SCREW	1
36	46131033000	O-RING ADJUSTING SCREW	1

084613110 / C084613110

\* NEW PART

X AS REQUIRED

**ACHTUNG !!!**  
Vor dem Einbau des Vergasers,  
Bedüsung kontrollieren.

**CAUTION !!!**  
Before mounting the carburetor,  
check the jetting.

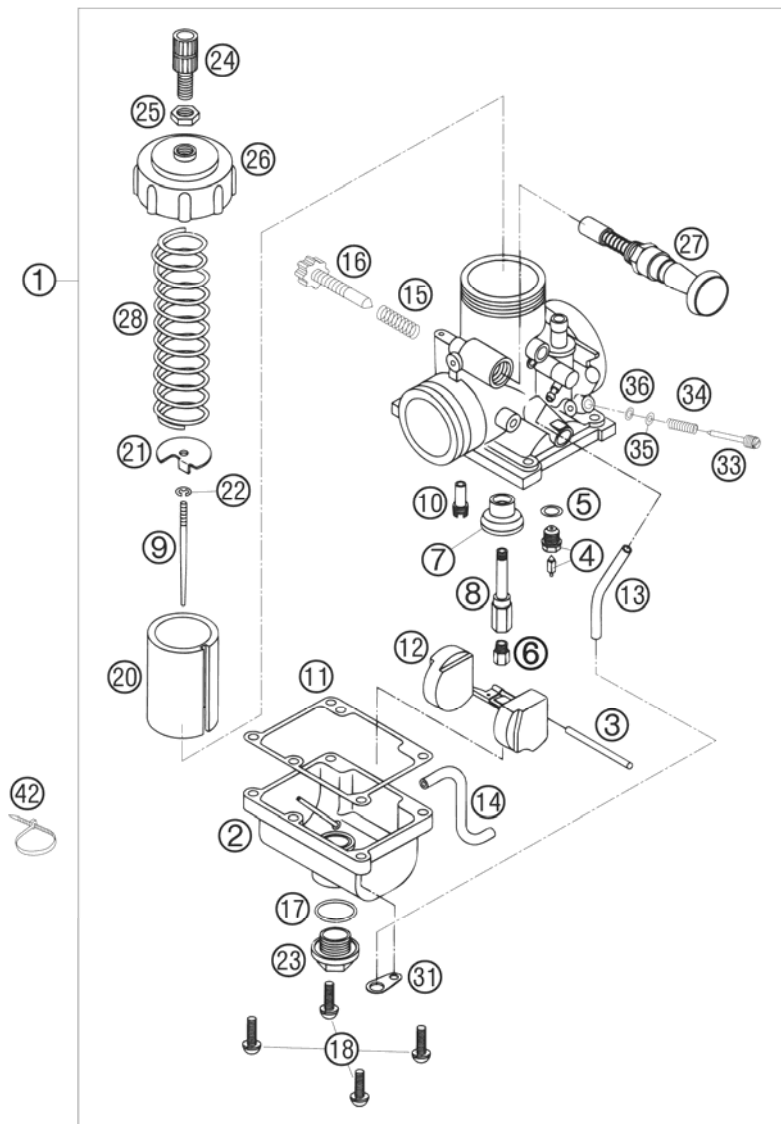


FIG	PART NUMBER	DESCRIPTION	QTY
42	44011076100	CABLE TIE 100/2,5MM BLACK	x

084613110 / C084613110

\* NEW PART

X AS REQUIRED

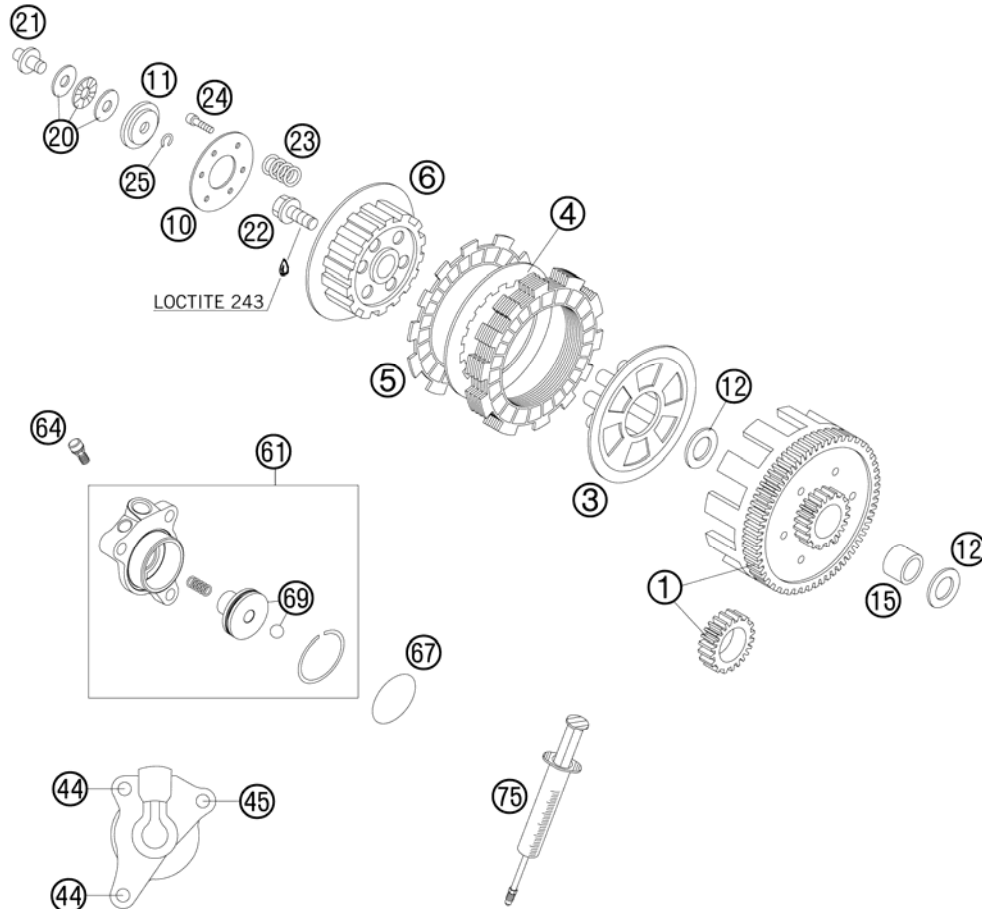


FIG	PART NUMBER	DESCRIPTION	QTY
1	46032000144	PRIM.DR.W.CLUTCH HUB 23:75 '99	1
3	46032003000	PRESSURE CAP 60/65 CCM '98	1
4	46032010000	INTERMEDIATE DISK STEEL	5
5	46032011000	LINING DISK	6
6	46032002000	INNER CLUTCH HUB 60/65 CCM '98	1
10	46032006000	SPRING RETAINER 25X63,5X2	1
11	46032008000	CARRIER FOR AXIAL BEARING	1
12	49032012000	STOP DISK 17,2X30X1,5	2
15	46032015000	INNER RING 22X17X20,5	1
20	46032056000	AXIAL BEARING 6X19X2	1
21	46032054100	PRESSURE PIECE 65 SX 2002	1
22	46132019000	HH COLLAR SCREW M10X20	1
23	46032005100	CLUTCH SPRING REINFORCED 60/65 L=27,5 D=2,1	6
24	0991060203	FLAT H.SCREW DIN7991-M6X20 8.8	6
25	0471006007	CIRCLIP DIN0471-6X0,7	1
44	0015060163	HH COLLAR SCREW M 6X16 WS=8	2
45	0015060203	HH COLLAR SCREW M 6X20 WS=8	1
61	59032061044	OUTPUT CYLINDER CPL. 2003	1
64	54732064000	BLEEDER SCREW WITH CAP	1
67	0770300015	O-RING 30,00X1,50 NBR 70	1
69	59032066000	PISTON WITH O-RING AND BALL 03	1
75	50329050000	VENT INJEKTION HYDR. CLUTCH	1

084613210 / C084613210

\* NEW PART

X AS REQUIRED

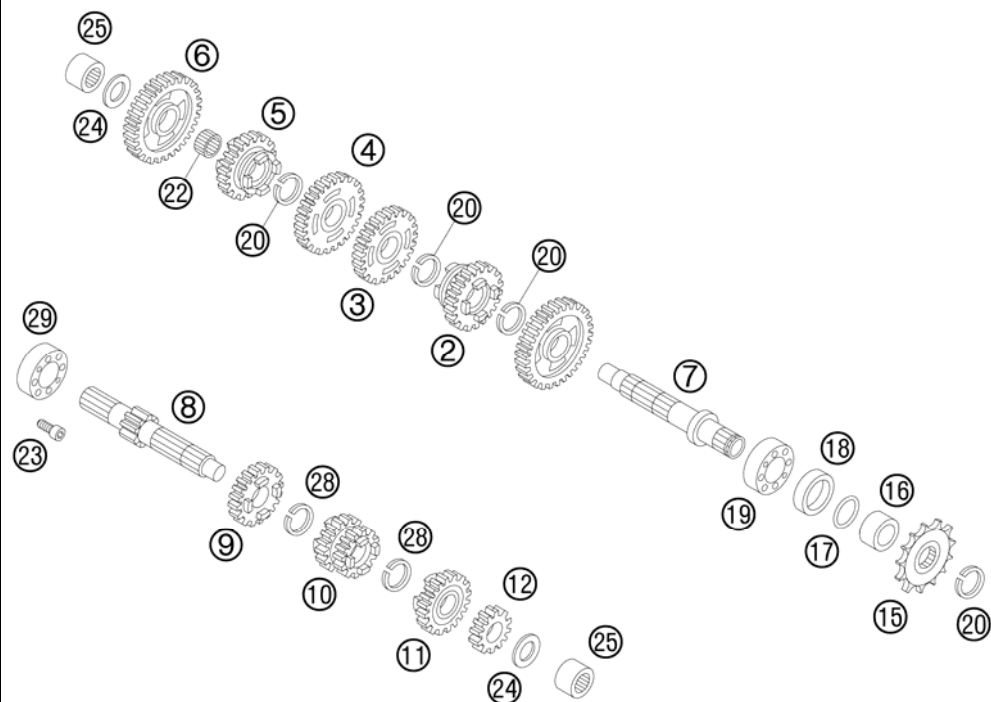


FIG	PART NUMBER	DESCRIPTION	QTY
1	46033011100	IDLER GEAR 2ND GEAR 65 SX 2002	1
2	46033012200	SLIDING GEAR 6TH GEAR 65 SX 02	1
3	46033013100	IDLER GEAR 3RD GEAR 65 SX 2002	1
4	46033014100	IDLER GEAR 4TH GEAR 65 SX 2002	1
5	46033015200	SLIDING GEAR 5TH GEAR 65 SX 02	1
6	46033016200	IDLER GEAR 1ST GEAR 65 SX 2002	1
7	46033002100	COUNTER SHAFT 65SX 2001	1
8	46033001000	MAIN SHAFT 13-T	1
9	46033007200	IDLER GEAR 5TH GEAR 65 SX 2002	1
10	46033008200	SLIDING GEAR 3RD/4TH G.65SX 02	1
11	46033009200	IDLER GEAR 6TH GEAR 65 SX 2002	1
12	46033010000	SOLID GEAR 2ND GEAR 16-T	1
15	46033029013	SPROCKET 13-T 60/65	x
15	46033029014	SPROCKET 14-T 65 SX 2002	1
16	46033030000	DISTANCE BUSHING SPROCKET	1
17	46033031000	O-RING 18,77X1,78	1
18	0760263560	SHAFT SEAL RING 26X35X6	1
19	46033028000	GROOVED BALL BEARING 20X42X12	1
20	49033091000	CIRCLIP AS20X1,75	4
22	46033020000	NEEDLE BEARING 14X18X8	1
23	46033023000	SPECIAL SCREW M6X10	1
24	49033013000	STOP DISK 12,1X25X1	2
25	46033026000	NEEDLE BEARING NK12 12X19X12	2
28	46033022000	CIRCLIP WS=17X1,2	2
29	46033025000	GROOVED BALL BEAR.SKF98203/C3	1

084613310 / C084613310

\* NEW PART

X AS REQUIRED

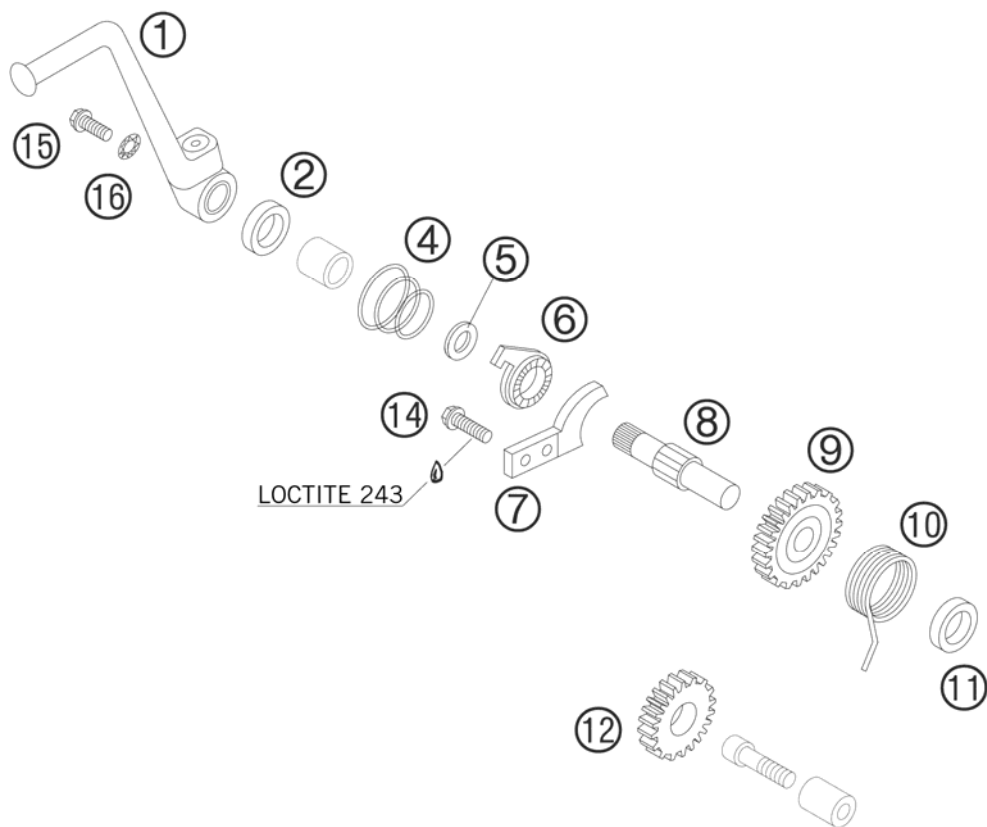


FIG	PART NUMBER	DESCRIPTION	QTY
1	46133070000	KICKSTARTER ALU 65 SX 2003	1
2	0760142460	SHAFT SEAL RING 14X24X6 B	1
4	46033056000	RATCHET GEAR SPRING	1
5	46030078100	LOCKING WASHER 14X20X1	1
6	46033052000	RATCHET GEAR	1
7	46033069000	STOP PLATE	1
8	46033050000	KICKSTARTER SHAFT	1
9	46033051000	STARTING GEAR 29-T	1
10	46033054000	KICKSTARTER SPRING	1
11	46033055000	DRIVING HUB	1
12	46033053000	INTERMEDIATE GEAR 18-T	1
14	0015060203	HH COLLAR SCREW M 6X20 WS=8	2
15	0015060163	HH COLLAR SCREW M 6X16 WS=8	1
16	0797060003	TOOTH LOCK WASH. DIN6797-A 6,4	1

084613390 / C084613390

\* NEW PART

X AS REQUIRED

# SHIFTING MECHANISM

65 SX 2008

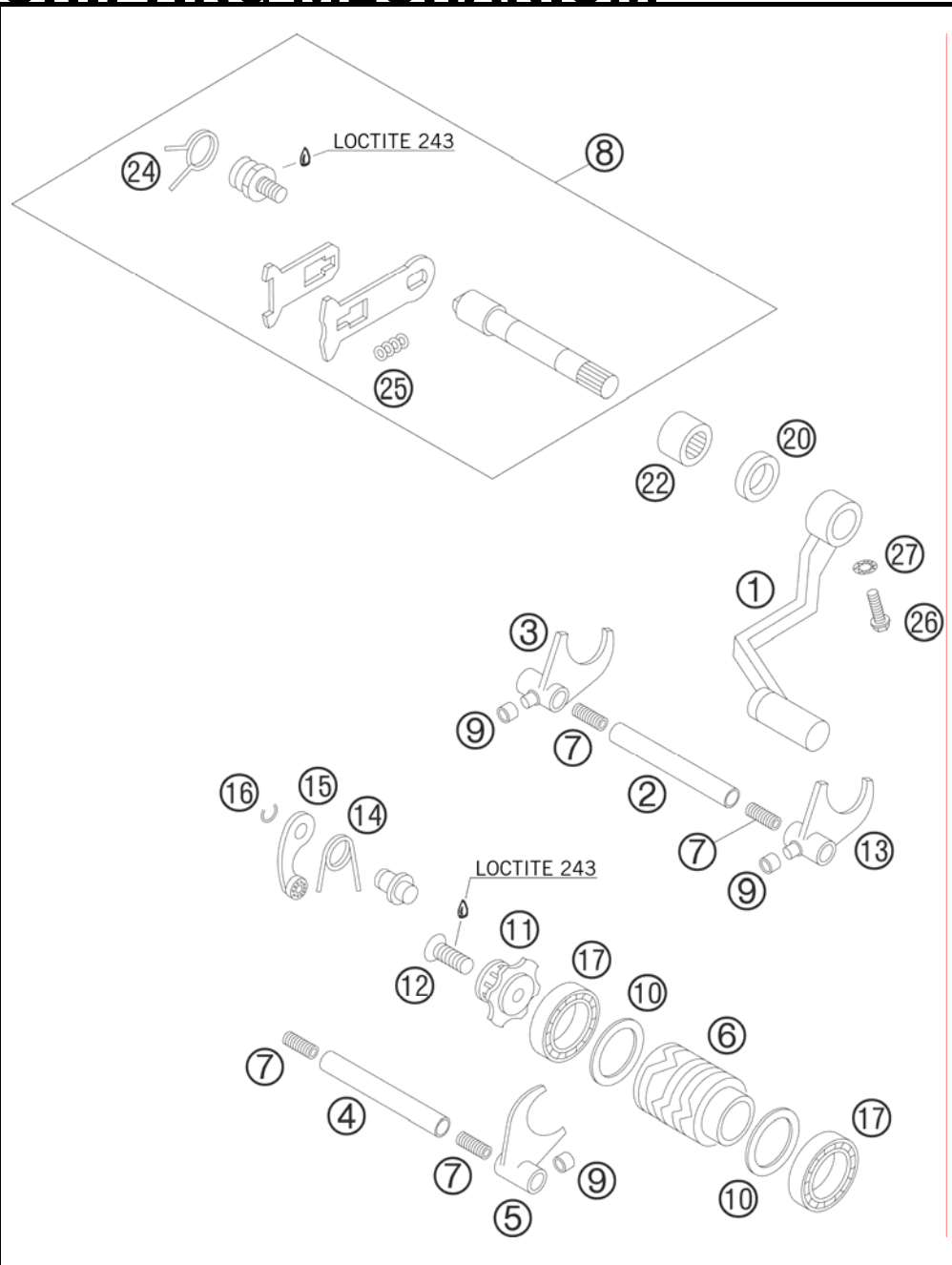


FIG	PART NUMBER	DESCRIPTION	QTY
1	46034031100	SHIFT LEVER COL. 65 SX 2001	1
2	46034020100	SHIFT RAIL 2001	1
3	46034002100	SHIFT FORK COUNTERSHAFT R/S	1
4	46034019100	SHIFT RAIL 10X72MM 2001	1
5	46034001100	SHIFT FORK MAIN SHAFT 2001	1
6	46034012300	SHIFT ROLLER 65 SX 2001	1
7	46034019052	SPRING SHIFT RAIL 2001	4
8	46034005044	SHIFT SHAFT CPL.	1
9	50334018100	SHIFTING ROLLER 6X8X5,2	3
10	46034091100	SPACER WASHER-SET 2001 0,2/0,5/0,6 MM	1
11	46034015100	SHIFT DRUM LOCATING 60/65 2000	1
12	0991060303	FLAT HEAD SCREW DIN7991-M 6X30	1
13	46034002200	SHIFT FORK COUNT. 2.3.GEAR	1
14	46034023100	LOCKING LEVER SPRING 2001	1
15	46034024100	LOCKING LEVER CPL. 65 SX 2002	1
16	0471100010	CIRCLIP DIN0471-10X1	1
17	0625618050	BALL BEARING 61805 C3	2
20	0760122050	SHAFT SEAL RING 12X20X5 B	1
22	46034027000	NEEDLE BEARING 12X18X12 2002	1
24	46034014000	RETURN SPRING	1
25	46034009000	PRESSURE SPRING SLIDER PLATE	1
26	0015060203	HH COLLAR SCREW M 6X20 WS=8	1
27	0797060003	TOOTH LOCK WASH. DIN6797-A 6,4	1

084613410 / C084613410

\* NEW PART

X AS REQUIRED

# COOLING SYSTEM

65 SX 2008

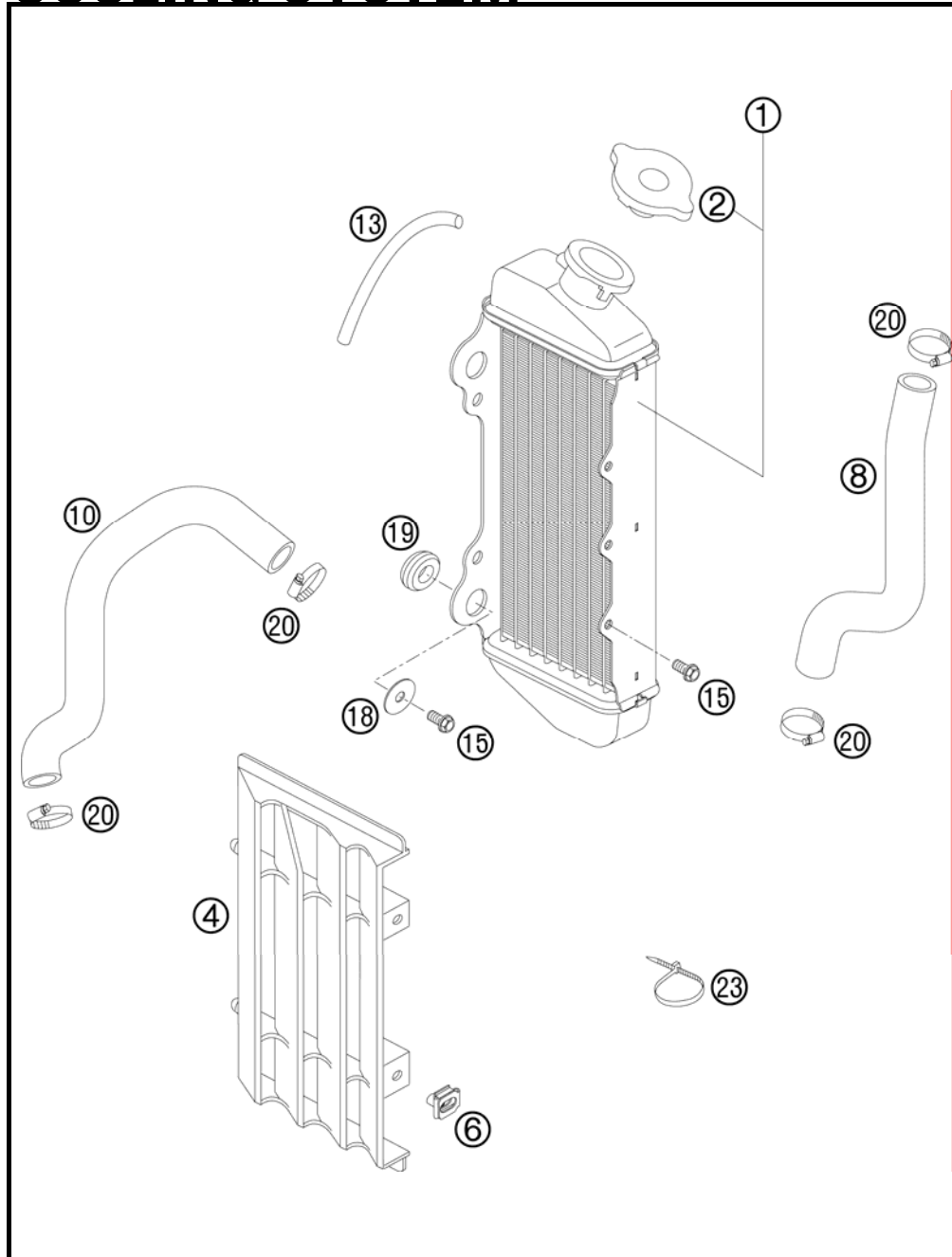


FIG	PART NUMBER	DESCRIPTION	QTY
1	46135008000	RADIATOR 65SX 2002	1
2	58035016000	RADIATOR CAP SMALL 20,3 PSI	1
4	5453503400030	RADIATOR PROTECTOR L/S bl. 65	1
6	50235033300	SNAP-NUT HOLDER M6 KP142	2
8	46135026000	PREFORMED HOSE CYL.-RADI. 2002	1
10	46135027000	PREFORMED HOSE WAPU-RADI. 2002	1
13	31007107001	PVC-HOSE 6X9 MM PER METER	x
15	0015060123	HH COLLAR SCREW M 6X12 WS=8	5
18	0021060003	WASHER DIN9021-A 6,4	3
19	41001052000	RUBBER SLEEVE D=12MM	3
20	42013037200	HOSE CLAMP GEMI 12/22	4
23	44011076200	CABLE TIE 200/3,6MM BLACK	x
23	44011076305	CABLE TIE 300/4,8MM BLACK	x

084613530 / C084613530

\* NEW PART

X AS REQUIRED

# IGNITION SYSTEM

65 SX 2008

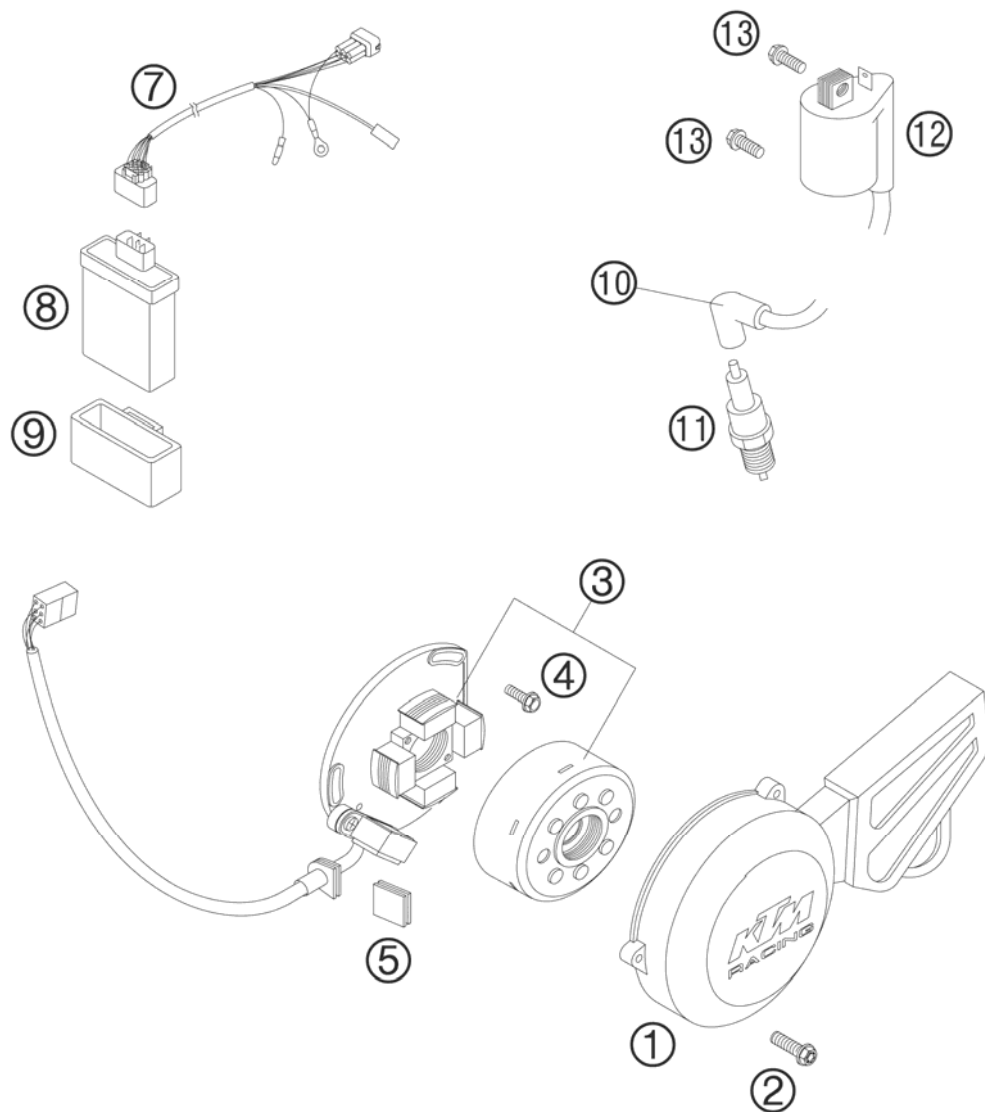


FIG	PART NUMBER	DESCRIPTION	QTY
1	46030002100	IGNITION COVER 65 SX 2003	1
2	0015060203	HH COLLAR SCREW M 6X20 WS=8	3
3	46139002100	IGNITION CPL. 65 SX 2003	1
4	0015050163	HH COLLAR SCREW M 5X16 WS=8	3
5	46139012000	RUBBER FOR IGNITION COVER 2003	2
7	46139095000	WIRING HARNESS 65 SX 2003	1
8	46139031100	ELECTRONIC BOX 65 SX 2006	1
9	46139030000	RUBBER BR. DIGI.BOX 65SX 2003	1
10	47039090000	SPARK PLUG CAP NGK REINFORC.04	1
11	54331093410	SPARK PLUG NGK BR8ECM	1
12	46139006100	IGNITION COIL CPL. 65 SX 2003	1
13	0015060203	HH COLLAR SCREW M 6X20 WS=8	2

084613910 / C084613910

\* NEW PART

X AS REQUIRED











KTM-Sportmotorcycle AG  
A-5230 Mattighofen  
[www.ktm.at](http://www.ktm.at)

KTM Group Partner



3CM080208HEN



Art.Nr.: 3CM080208HEN 4/2007