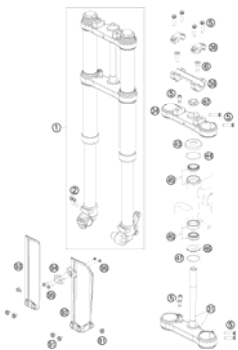
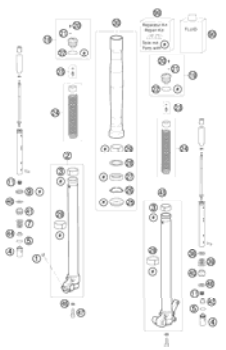

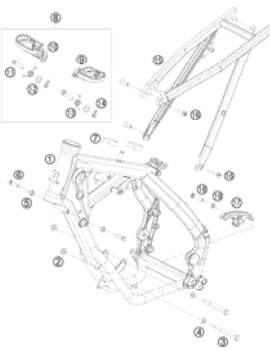
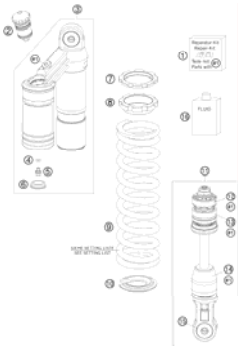
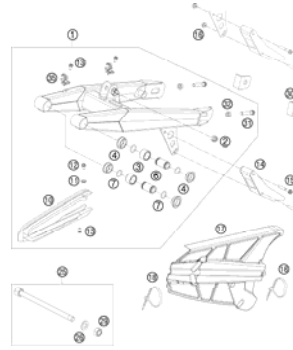
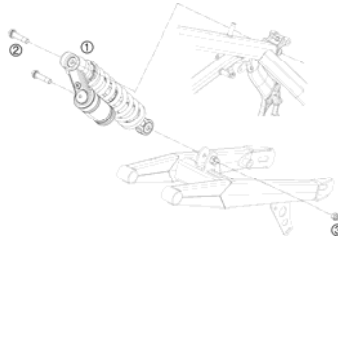
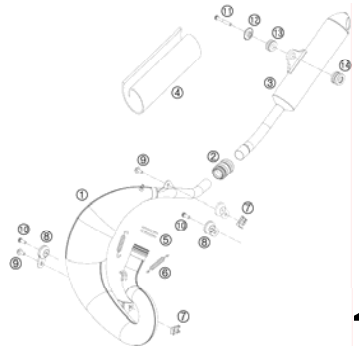
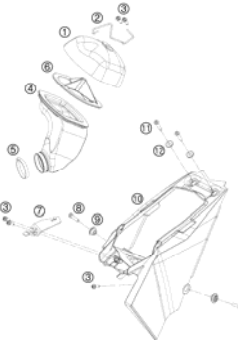
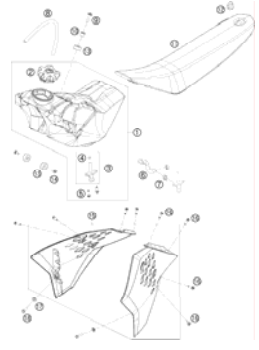

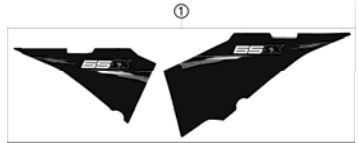


SPARE PARTS MANUAL: CHASSIS

ART.NO.: 3CF6001J6EN

ENGLISH



<p>FRONT FORK, TRIPLE CLAMP</p>  <p>3</p>	<p>FRONT FORK DISASSEMBLED</p>  <p>4</p>	<p>HANDLEBAR, CONTROLS</p>  <p>5</p>	<p>FRAME</p>  <p>6</p>
<p>SHOCK ABSORBER DISASSEMBLED</p>  <p>7</p>	<p>SWING ARM</p>  <p>8</p>	<p>SHOCK ABSORBER</p>  <p>9</p>	<p>EXHAUST SYSTEM</p>  <p>10</p>
<p>AIR FILTER</p>  <p>11</p>	<p>TANK, SEAT, COVER</p>  <p>12</p>	<p>MASK, FENDERS</p>  <p>13</p>	<p>DECAL</p>  <p>14</p>

FRONT WHEEL

15

REAR WHEEL

16

HAND BRAKE CYLINDER

17

BRAKE CALIPER FRONT

18

BRAKE CALIPER REAR

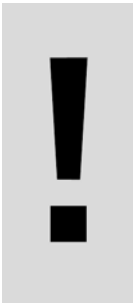
19

REAR BRAKE CONTROL

20

ACCESSORIES KIT

21



All information contained is without obligation. KTM-Sportmotorcycle AG particularly reserves the right to modify any equipment, technical specifications, prices, colors, shapes, materials, services, service work, constructions, equipment and the like so as to adapt them to local conditions or to cancel any of the above items, all without previous announcement and without giving reasons. KTM may stop manufacturing certain models without previous notice. KTM shall not be held liable for any deviations of availability and/or ability to deliver, illustrations, descriptions, printing and/or other errors. The illustrated models partly contain extra equipment, which is not applied to standard models. © by KTM-SPORTMOTORCYCLE AG, Mattighofen AUSTRIA; All rights reserved; Reprint, also in extracts, with written allowance of KTM-SPORTMOTORCYCLE AG, Mattighofen only.

FRONT FORK, TRIPLE CLAMP

65 SX 2010

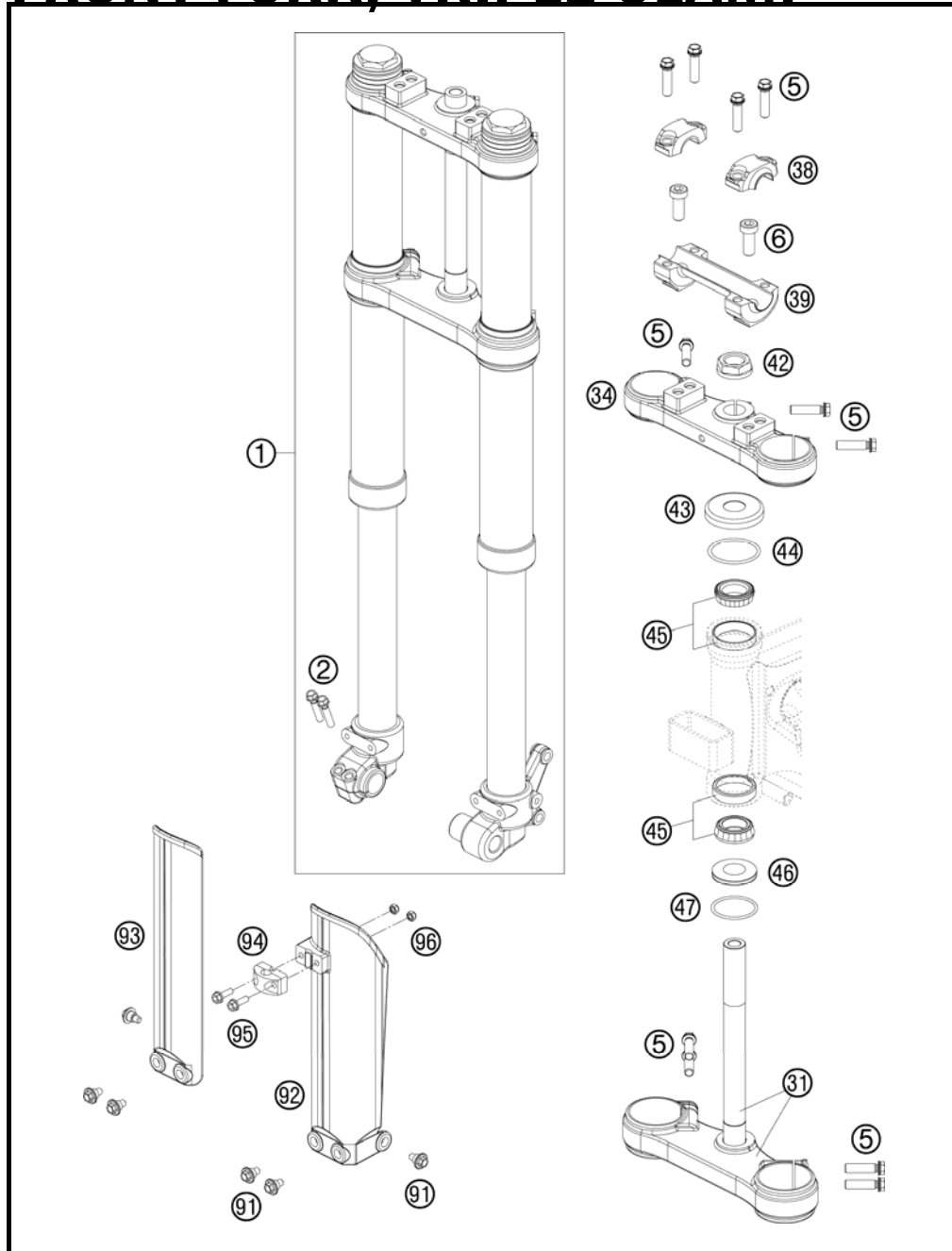


FIG	PART NUMBER	DESCRIPTION	QTY
1	46201000033	FRONT FORK USS D035MM 09	1
2	0025060306	HH COLLAR SCREW M6X30 TX30	2
5	0025080306	HH COLLAR SCREW M8X30 TX40	9
6	0912100250	AH SCREW DIN6912-M10X25,10.9,L	2
31	77051116	BOT.TRIPLE CLAMP + FORK TUBE	1
34	7501478	TOP TRIPLE CLAMP	1
38	50301038000	HANDLEBAR CLAMP D=22MM 2001	2
39	59001039000	HANDLEBAR SUPPORT 22MM 2T 2000	1
42	59030029000	HH NUT M20X1,5 WS=27 RIGHT	1
43	49001086000	COVERING CAP	1
44	0770021300	O-RING 40,94X2,62 NBR70	1
45	49001081000	TAPERED ROLLER BEARING 32004X	2
46	46001086000	PROTECTION RING 20,1X39X5	1
47	0770360030	O-RING 36,00X3,00 NBR	1
91	59001092050	SPECIAL SCREW M6X12,5 WS=8	6
92	46101092000	FORK PROTECTION L/S 65SX 2002	1
93	46101093000	FORK PROTECTION R/S 65SX 2002	1
94	54601085000	BRAKE HOSE CLAMP MARZOCCHI'95	1
95	0025050166	HH COLLAR SCREW M5X16 TX30	2
96	0985050003	SELF LOCKING NUT DIN0985-M 5	2

094620110 / C094620110

* NEW PART

X AS REQUIRED



FRONT FORK DISASSEMBLED

65 SX 2010

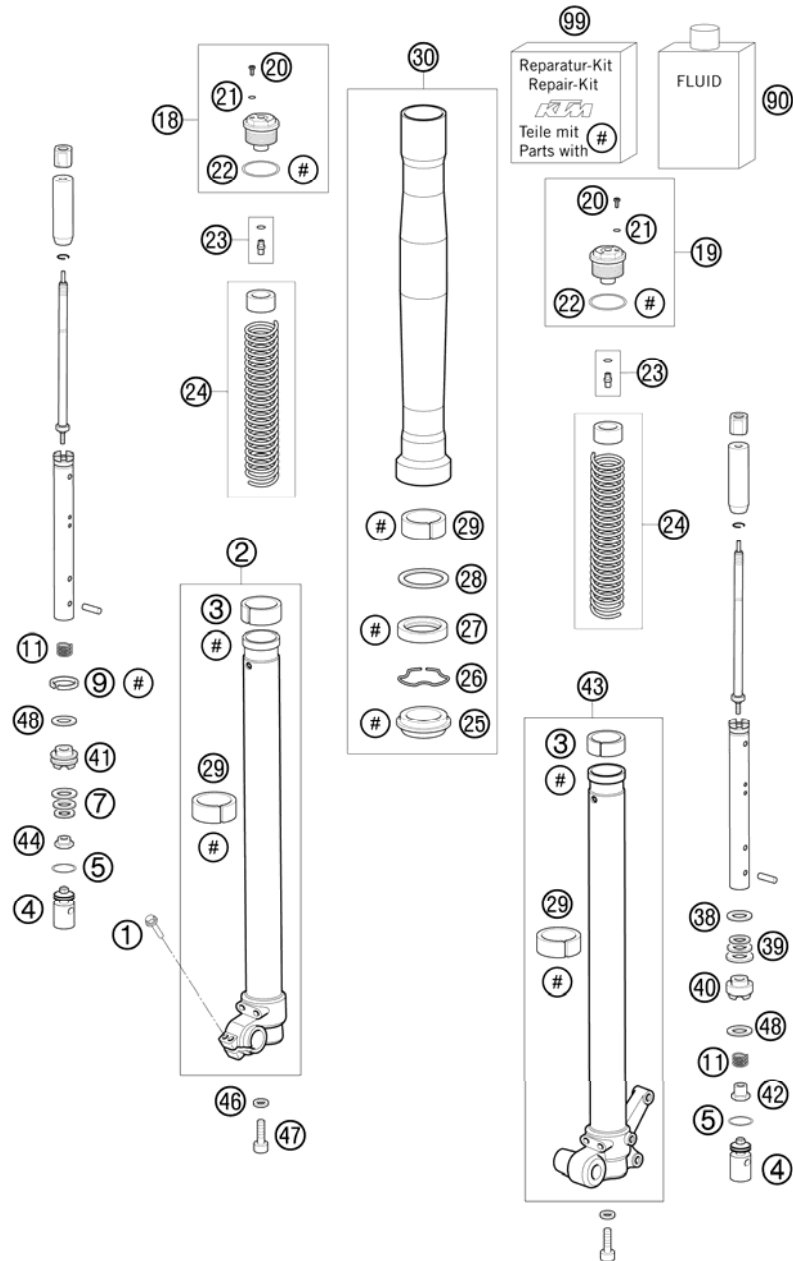


FIG	PART NUMBER	DESCRIPTION	QTY
1	0025060306	HH COLLAR SCREW M6X30 TX30	2
2	7819139/C	SLIDER + AXLE CLAMP CPL. R/S	1
3	7538029	GUIDE RING D=35	2
4	7717065/R	FOOT VALVE	2
5	7528005	O-RING D=20,3	2
7	7517082	SHIM 8,1X23X0,1	4
9	7524163	PISTON RING D=26	1
11	75141087	LOWER REBOUND SPRING	2
18	7701204AC	PLUG R/S CPL.	1
19	7701205AC	PLUG L/S CPL.	1
20	7850208AR	LENTIL HEAD SCREW M4X6	2
21	7528180	O-RING D=3,69, S=1,78	2
22	7528008	O-RING D=34,6, S=1,78	2
23	7850652	PIN + O-RING	2
24	7850728	SPRINGS + PRELOAD SLEEVES KIT	1
25	7533167	DUST CAP	2
26	7523236	LOCK WASHER D=51,5	2
27	7528034	OIL SEAL 35X47X10	2
28	7539032AA	WASHER 36X47X3	2
29	7538038/A	GUIDE RING 35X15	2
30	7760069FN/C	OUTER TUBE CPL.	2
38	7535099	COMPRESSION DAMPING SHIM	1
39	7517028	SHIM 8,1X23X0,2	1
39	7517057	SHIM 8,1X21X0,2	1
39	7517074	SHIM 8,1X18X0,2	1
40	7530090/B	PISTON COMPRESSION D=26	1
41	7530088/B	PISTON COMPRESSION D=26	1
42	7521147/A	SPECIAL NUT M6X1 WITH STEP	1
43	7819140/C	SLIDER + AXLE CLAMP CPL. L/S	1
44	7521092/E	SPECIAL NUT M6X1 WITH STEP	1
46	7522061	SHIM 8X12X1,5	2
47	0912080253	AH SCREW DIN0912-M 8X25	2
48	7517044	SHIM 8,1X23X0,3	2
90	7550013	FORKOIL EBH16 SAE 7.5	1
99	7850731/C	REPAIR-KIT USD 35	1

094620130 / C094620130

* NEW PART

X AS REQUIRED

HANDLEBAR, CONTROLS

65 SX 2010

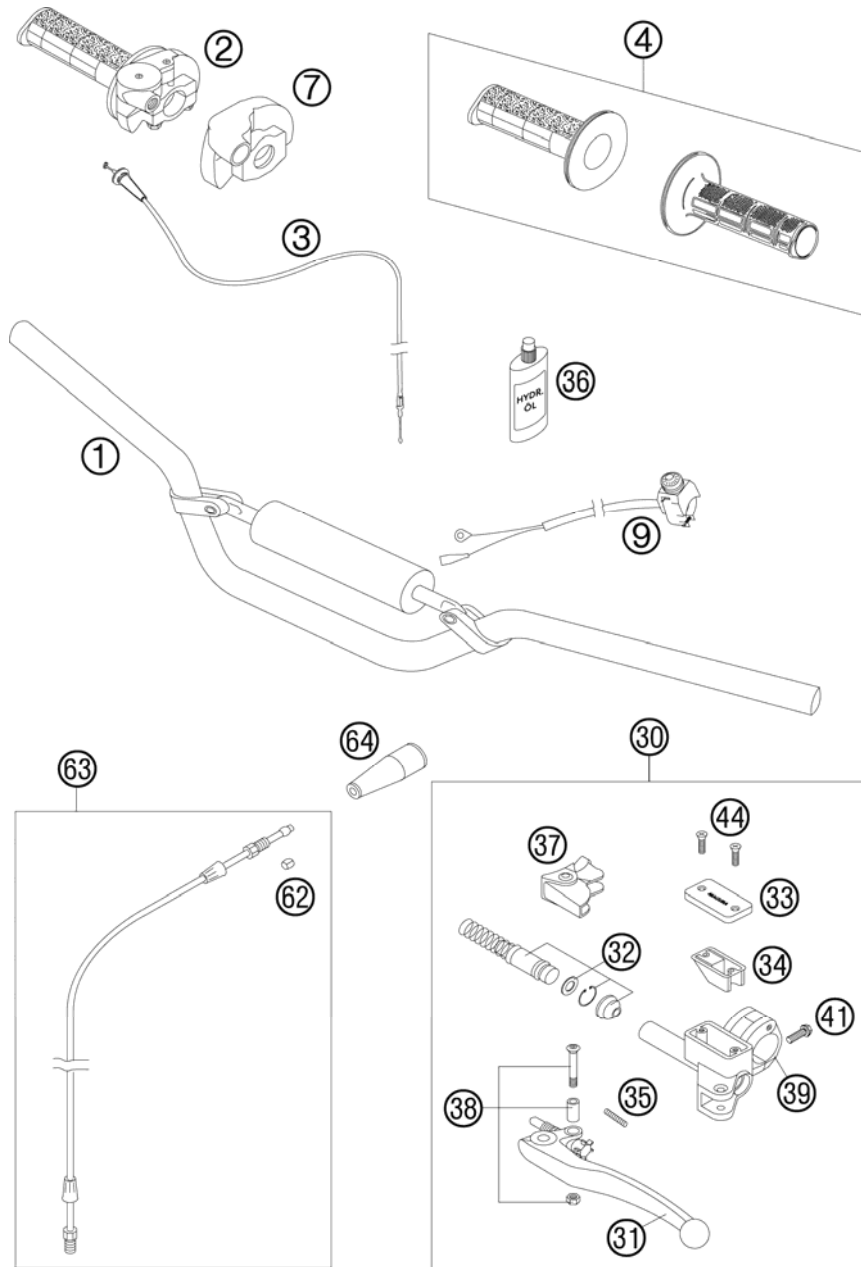


FIG	PART NUMBER	DESCRIPTION	QTY
1	46202001000	HANDLEBAR 65 SX 2009	1
2	46202010000	THROTTLE GRIP 65SX 09	1
3	46202091000	THROTTLE CABLE 65 SX 2009	1
4	63002021100	GRIP SET DUAL COMPOUND	1
7	50302020000	PROTECTION COVER '97	1
9	50311089200	SHORT CIRCUIT BUTTON 02	1
30	46102030100	MASTER CYLINDER CPL. D=9MM 05	1
31	54602031000	CLUTCH LEVER SHORT CPL. 2003	1
31	59002031000	CLUTCH LEVER LONG CPL. 2003	x
32	59002032100	REP.KIT PISTON 9,0MM RAC. 2004	1
33	50302033100	COVER HYD.CLUTCH 2T 2000	1
34	50302034000	RUBBER FOR RESERVOIR '98	1
35	59002035000	SPRING FOR CLUTCH LEVER 03	1
36	50302036200	OIL FOR HYD. CLUTCH 75ML	1
37	50302037000	PROTECT.CAP FOR LEVER PERCH'98	1
38	50302038000	LEVER SCREW CPL. 125-200 '98	1
39	50302030150	CLAMP WITH PIN 2000	1
41	0025060206	HH COLLAR SCREW M6X20 TX30	1
44	0965040123	FLAT HEAD SCREW DIN0965-M 4X12	2
62	50332063050	SELF CUTTING RING HYDR.PIPE	x
63	46132063000	PIPE KIT FOR HYDR.CLUTCH 65 SX	1
64	54002016000	PROTECTION CAP	1

094620210 / C094620210

* NEW PART

X AS REQUIRED

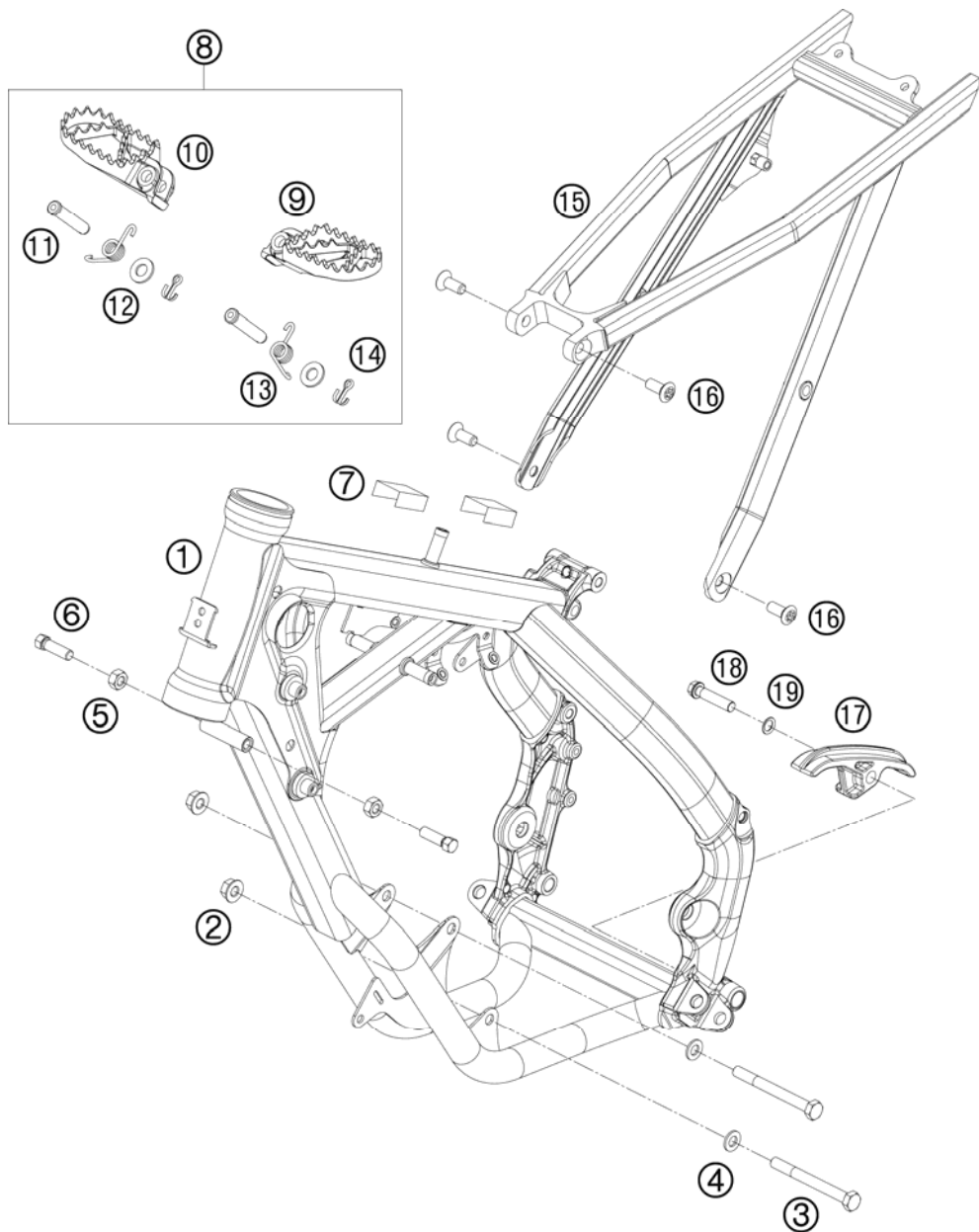


FIG	PART NUMBER	DESCRIPTION	QTY
1	4620300104430	FRAME 65 SX "MD09" 09	1
2	54310086200	SELF LOCKING NUT M8 10.9	2
3	0931080805	HH SCREW DIN 931 M8X80 10.9	2
4	0125080003	WASHER DIN0125-A 8,4	2
5	0934080003	HEXAGON NUT DIN0934-M 8	2
6	59001037000	SPECIAL SCREW M8X26 WS=10	2
7	50307012000	ADH. FOIL TRANSP. 80X80 MM 04	2
8	4700304003390	FOOTPEG L.+R. CPL. 85 SX 03	1
9	59003040050	FOOT PED L/S EXC SILVER 2000	1
10	59003041050	FOOT PED R/S EXC SILVER 2000	1
11	54803044000	BOLT FOR FOOT PED 03	2
12	0125100003	WASHER DIN0125-A10,5	2
13	54603041000	FOOTREST SPRING L/S & R/S	2
14	0094032253	PIN DIN0094-3,2X25 STEEL	2
15	46203002000	SUB FRAME 65 SX 2009	1
16	0019080206S	FLAT HEAD SCREW M. ISA45 M8X20	4
17	77303053000	CHAIN SLIDING PIECE BELOW 07	1
18	0025080356	HH COLLAR SCREW M8X35 TX40	1
19	36003014000	LOCK WASHER 8MM	1

094620310 / C094620310

* NEW PART

X AS REQUIRED

SHOCK ABSORBER DISASSEMBLED

65 SX 2010

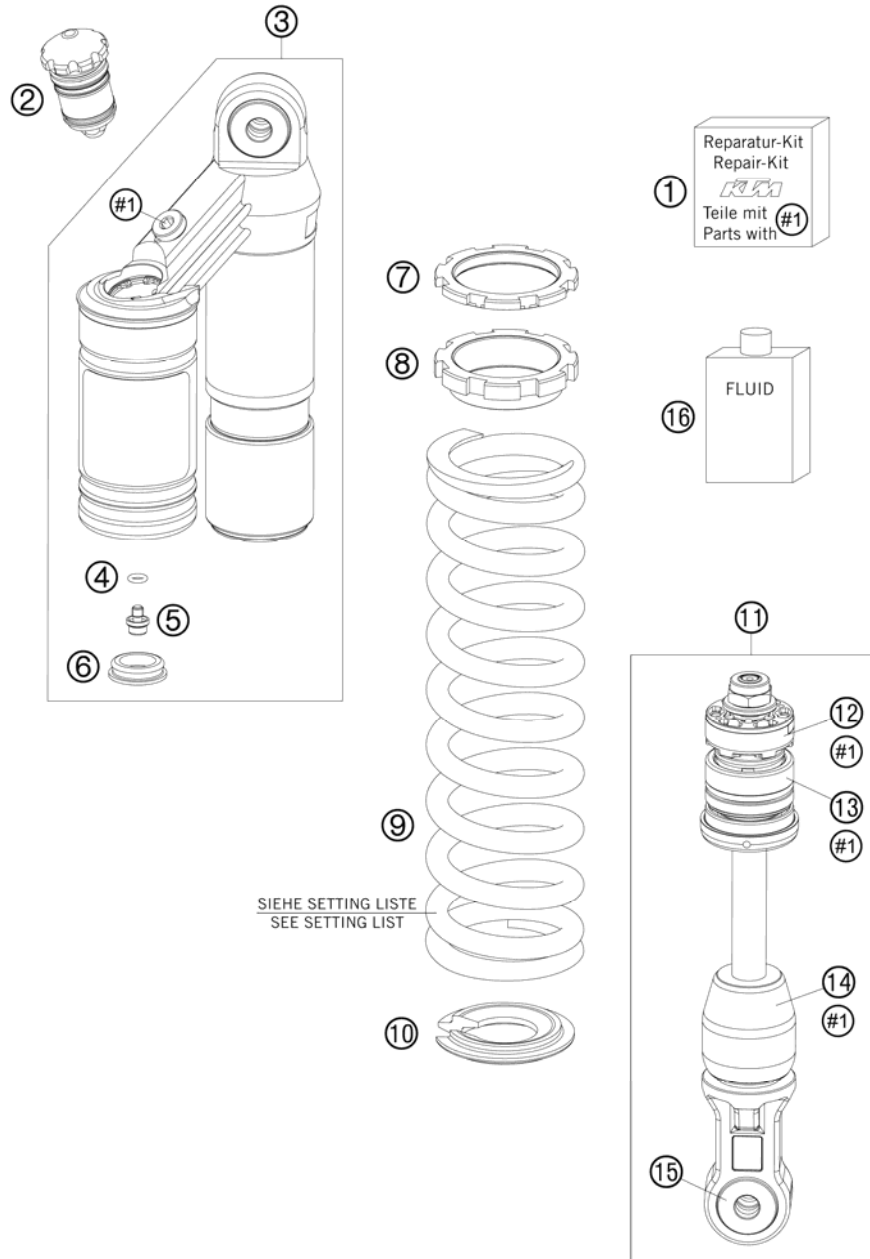


FIG	PART NUMBER	DESCRIPTION	QTY
1	R308	REPAIR-KIT	1
2	46810850S9	CC-COMPRE.DAMPING CONTROL CPL.	1
3	36120817S1	MONOSHOCK TOP PART CPL.	1
4	46810893	O-RING NBR 5,28X1,78	1
5	36120151	SCREW PLUG M5X6	1
6	46811208	RUBBER CAP "DO NOT OPEN"	1
7	36120015	COUNTERNUT	1
8	36120418	ADJUSTING NUT	1
9	93010181S	SPRING 40N/MM 40-220 220MM ORA	x
9	93010182S	SPRING 35N/MM 35-220 220MM ORA	x
9	93010183S	SPRING 45N/MM 45-220 220MM ORA	x
10	36120386	SPRING RET. H=3, D=14,5	1
11	36120781S5	MONOSHOCK BOTTOM PART CPL.	1
12	36120040	PISTON RING 8X1X108,3	1
13	36120787S	ADAPTOR 36MM H26,6 CPL. 07	1
14	36120799	BUMP RUBBER	1
15	R309	REPAIR KIT BEARINGS 65 SX 09	2
16	50180342S1	SHOCK ABSORBER FLUID 5 LT '03	1

094620430 / C094620430

* NEW PART

X AS REQUIRED

SWING ARM

65 SX 2010

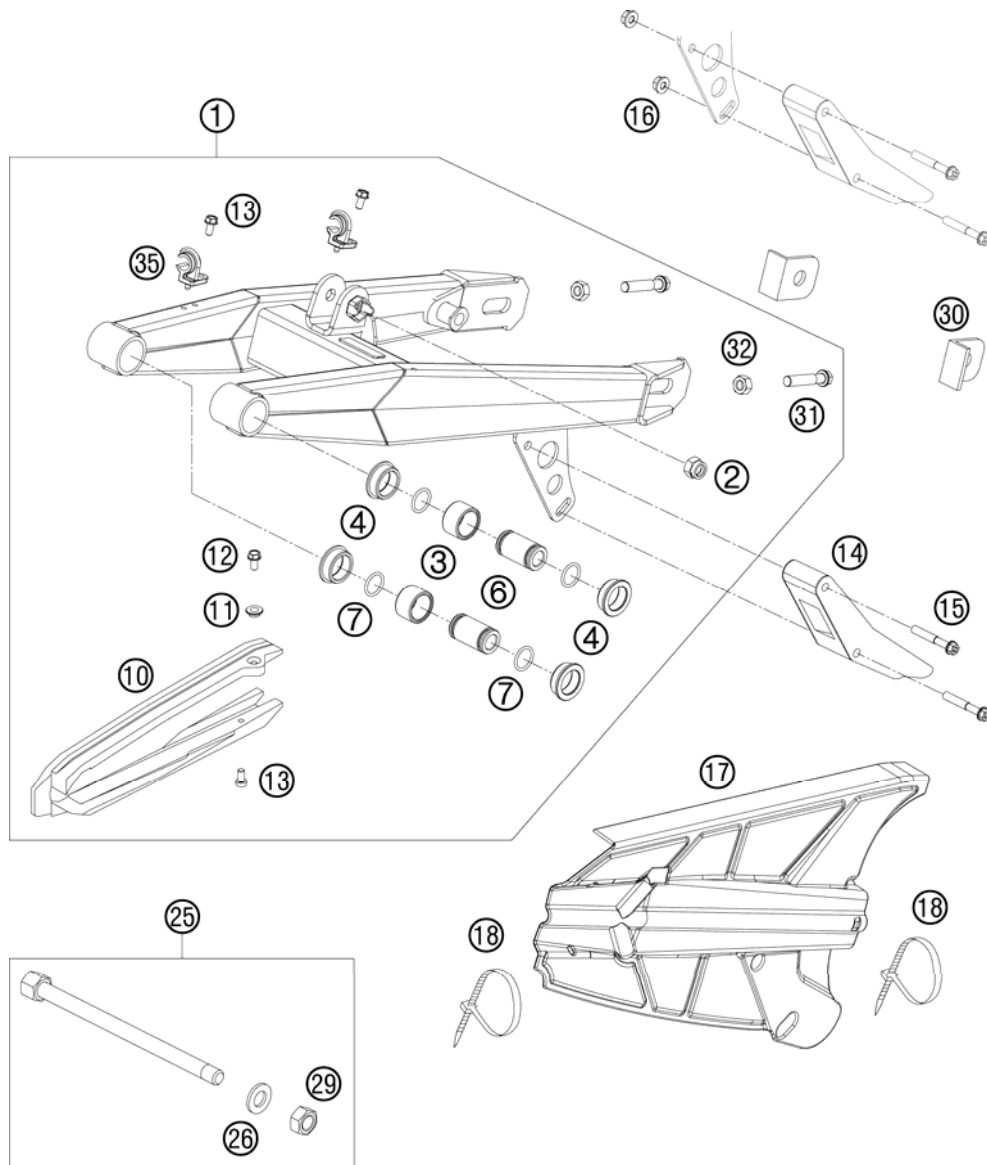


FIG	PART NUMBER	DESCRIPTION	QTY
1	46104030144	SWING ARM CPL. 65 SX 2008	1
2	54310086100	SELF LOCKING NUT M10 CU WS=14	1
3	54603097000	NEEDLE BUSH HK 2016	2
4	46004030070	SPACER BUSHING 20X26X30X9,7	4
6	46004030071	BUSHING BOX 12X20X36,5	2
7	0770160021	O-RING 16,00X2,00 VITON	4
10	46104066000	CHAIN SLID. GUARD FRO. 65SX 02	1
11	69004060050	BUSHING CHAIN GUARD 08	1
12	0010050103	SPECIAL SCREW M 5,0X10	1
13	0009050103	SPECIAL SCREW M 5,0X10	3
14	46007066000	CHAIN GUIDE REAR 60/65 '98	1
15	0025060406	HH COLLAR SCREW M6X40 TX30	2
16	56509064100	SELF LOCKING NUT M6 10.9	2
17	46104061000	CHAIN GUARD 08	1
18	44011076305	CABLE TIE 300/4,8MM BLACK	2
25	46204037033	SWINGARM BOLT CPL. 201MM	1
26	0125120003	FLAT WASHER DIN0125-A13	1
29	0934120103	HEXAGON NUT DIN0934-M12X1	1
30	46010083000	CHAIN ADJUSTER 60/65 '98	2
31	50203030090	HH SCREW M8X40 WS=10	2
32	0934080003	HEXAGON NUT DIN0934-M 8	2
35	54611076100	RETAIN.CLAMP FOR BRAKE HOSE'96	2

094620490 / C094620490

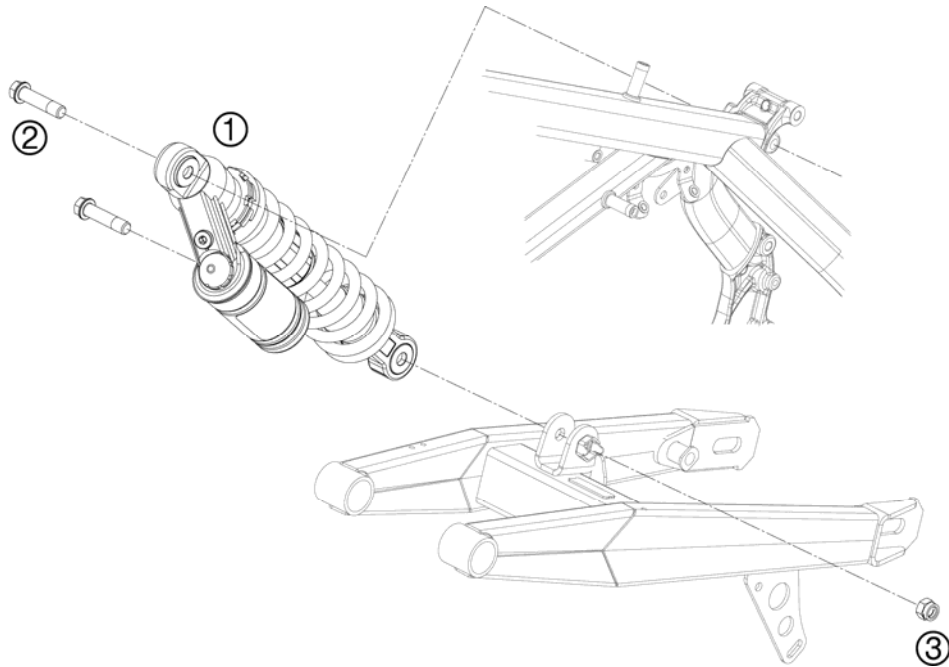
* NEW PART

X AS REQUIRED

SHOCK ABSORBER

65 SX 2010

FIG	PART NUMBER	DESCRIPTION	QTY
1	03187E0301	MONOSHOCK 65SX 2009	1
2	69004089000	HH COLLAR SCREW M10X42 WS13 08	2
3	54310086100	SELF LOCKING NUT M10 CU WS=14	1



094620410 / C104620410

* NEW PART

X AS REQUIRED

EXHAUST SYSTEM

65 SX 2010

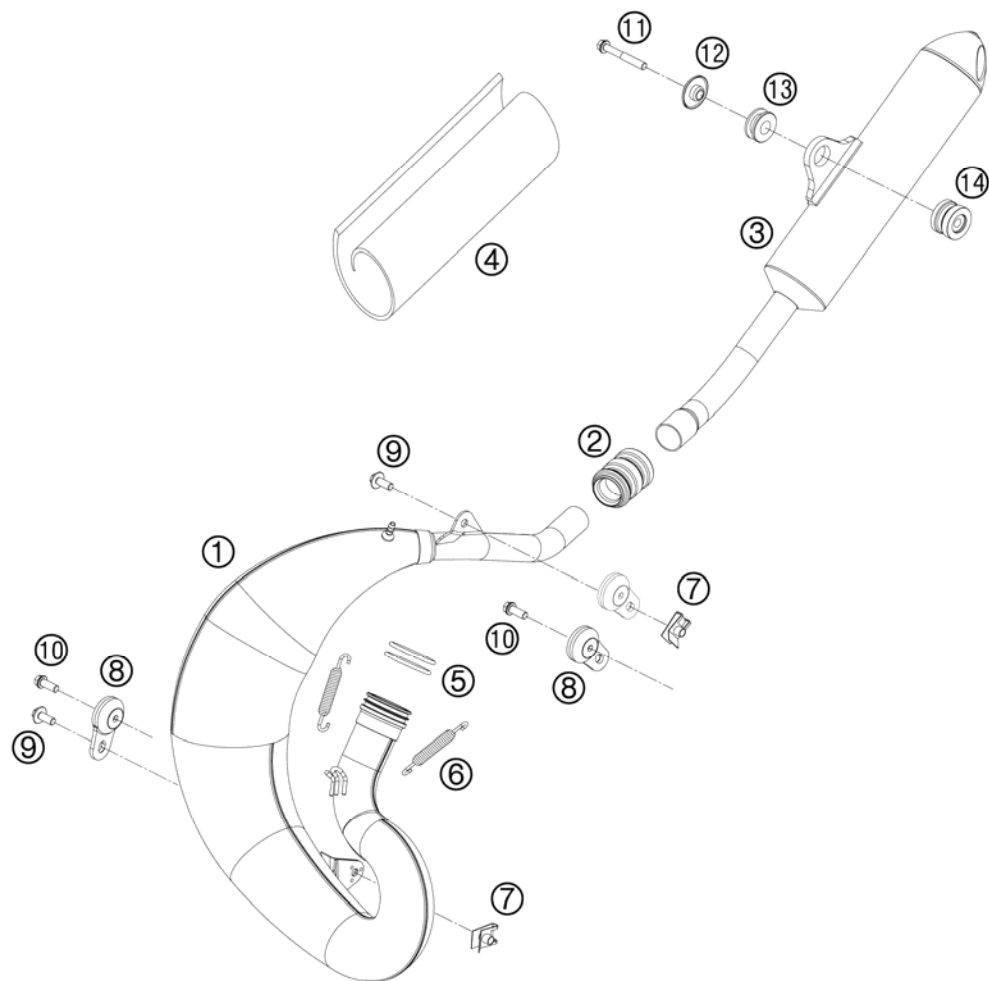


FIG	PART NUMBER	DESCRIPTION	QTY
1	46205007000	EXHAUST PIPE 65 SX 2009	1
2	54605057000	RUBBER SLEEVE D=21MM/23MM '93	1
3	46205079000	SILENCER 65 SX 2009	1
4	45105079056	ROCKWOOL PREFORMED 50 2002	1
5	0770350030	O-RING 35,00X3,00 VITON	2
6	50305016000	TEN.SPRING L=62MM EY.MOVEABLE	2
7	54603048100	RANGE CHANGE METAL NUT M6	2
8	50305012000	SWINGELEMENT FOR EXHAUST PIPE	2
9	0024060156	HH COLLAR SCREW M6X15 TX30	2
10	0025060166	HH COLLAR SCREW M6X16 TX30	2
11	0025060456	HH COLLAR SCREW M6X45 TX30	1
12	54605069000	BUSHING 7,5X12X28X7,8 '96	1
13	54605068000	EXHAUST BRACKET RUBBER BLACK	1
14	46205069000	COLLAR BUSHING	1

094620510 / C094620510

* NEW PART

X AS REQUIRED

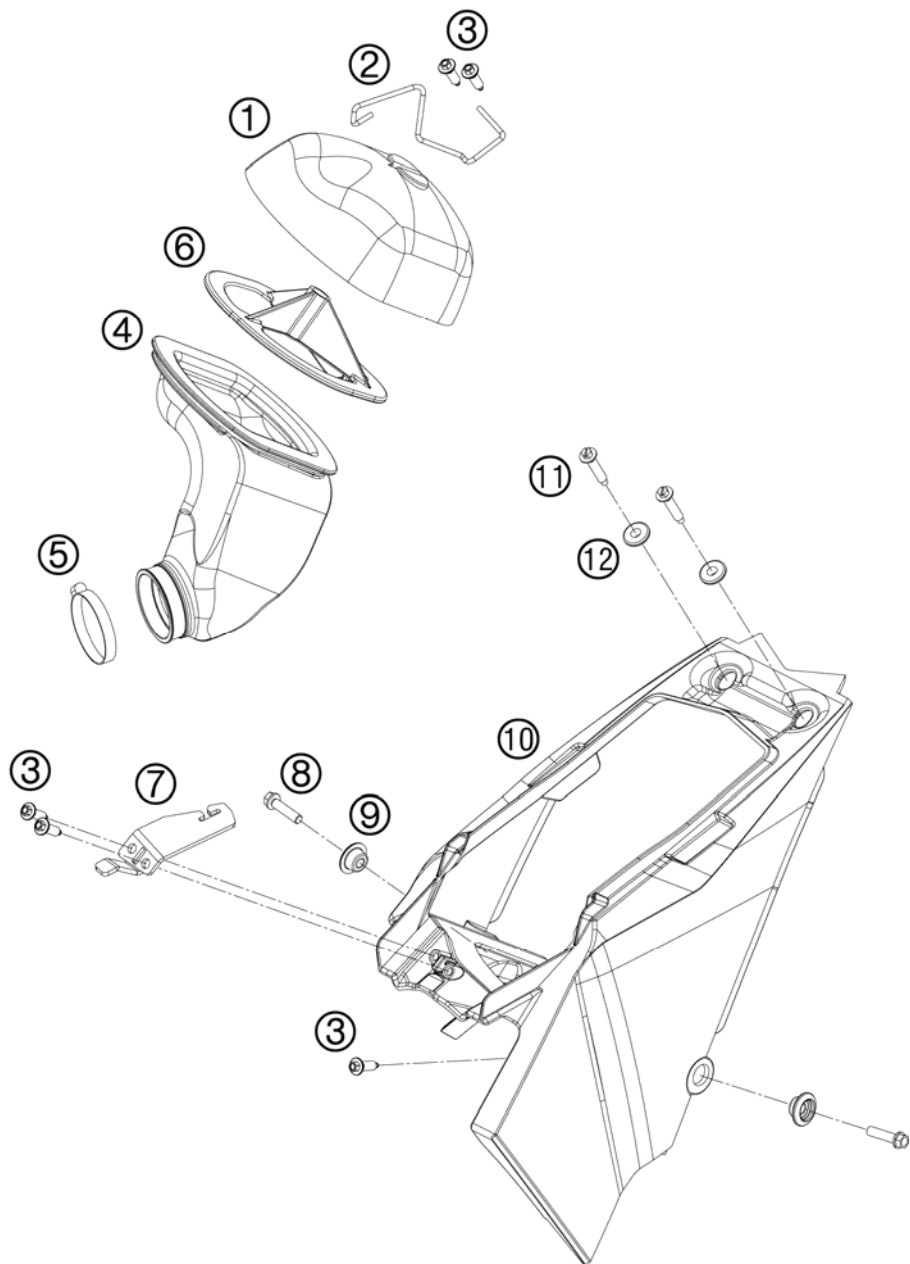


FIG	PART NUMBER	DESCRIPTION	QTY
1	58406015100	AIR FILTER	1
2	46206017000	FILTER BOW 65 SX 2009	1
3	0017060203	EJOT PT SCREW K60X20 WS=6	5
4	46206026000	CARBURETOR CONN. BOOT 65 SX 09	1
5	78006027000	HOSE CLAMP 45-65MM	1
6	58406016000	FILTER CARRIER '97	1
7	46206017050	AIR FILTER BOW PANEL 65SX 2009	1
8	0025060256	HH COLLAR SCREW M6X25 TX30	2
9	46208013010	COLLARED BUSHING 65SX 09	2
10	4620600100030	AIR FILTER BOX 65 SX 09	1
11	0017060303	SPECIAL SCREW T60 6X30 WS=6	2
12	54808020000	SPACER BUSHING 03	2

094620610 / C094620610

* NEW PART

X AS REQUIRED

TANK, SEAT, COVER

65 SX 2010

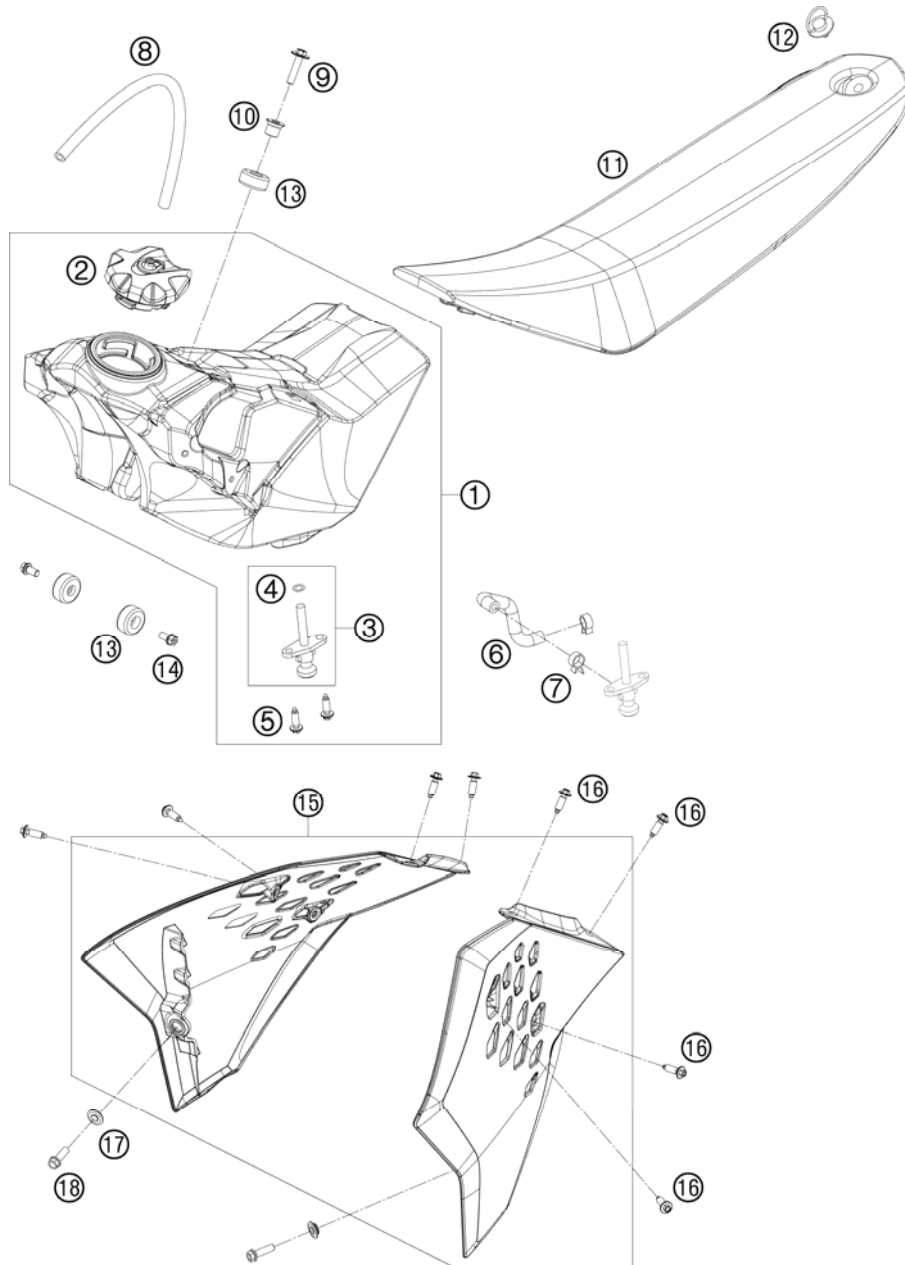


FIG	PART NUMBER	DESCRIPTION	QTY
1	4620701303330	FUEL TANK CPL. 65 SX 2009	1
2	78007008044X4	TANK PLUG ORANGE/BLACK	1
3	58507003000	FUEL COCK CPL. SMALL RALLYE'96	1
4	0770020130	O-RING 1,78x10,82x14,38 2-013	1
5	0017060203	EJOT PT SCREW K60X20 WS=6	2
6	46207016000	FUEL PREFORMED HOSE 65 SX 2009	1
7	58007117000	YDNAC-CLAMP 10107 10MM	2
8	78007000270	PVC-HOSE 5,6X10X270MM	1
9	0024060273	COLLAR SCREW M6X27 TX	1
10	77307026000	TANK BUSHING 07	1
11	46207040000	SEAT 65 SX 2009	1
12	45007040051	QUICK RELEASE CPL. 50 SXR '97	1
13	50307014000	TANK ROLLER 12X26X12 '98	3
14	0025060126	HH COLLAR SCREW M6X12 TX30	2
15*	4620805400030B	SPOILER SET BLACK 65SX/XC 10	1
16	0017060204	EJOT PT SCREW K60X20 ALU WS=6	8
17	50308052000	BUSH FOR SPOILER 6X11X16X5 MM	2
18	0025060206	HH COLLAR SCREW M6X20 TX30	2

094620710 / C104620710

* NEW PART

X AS REQUIRED

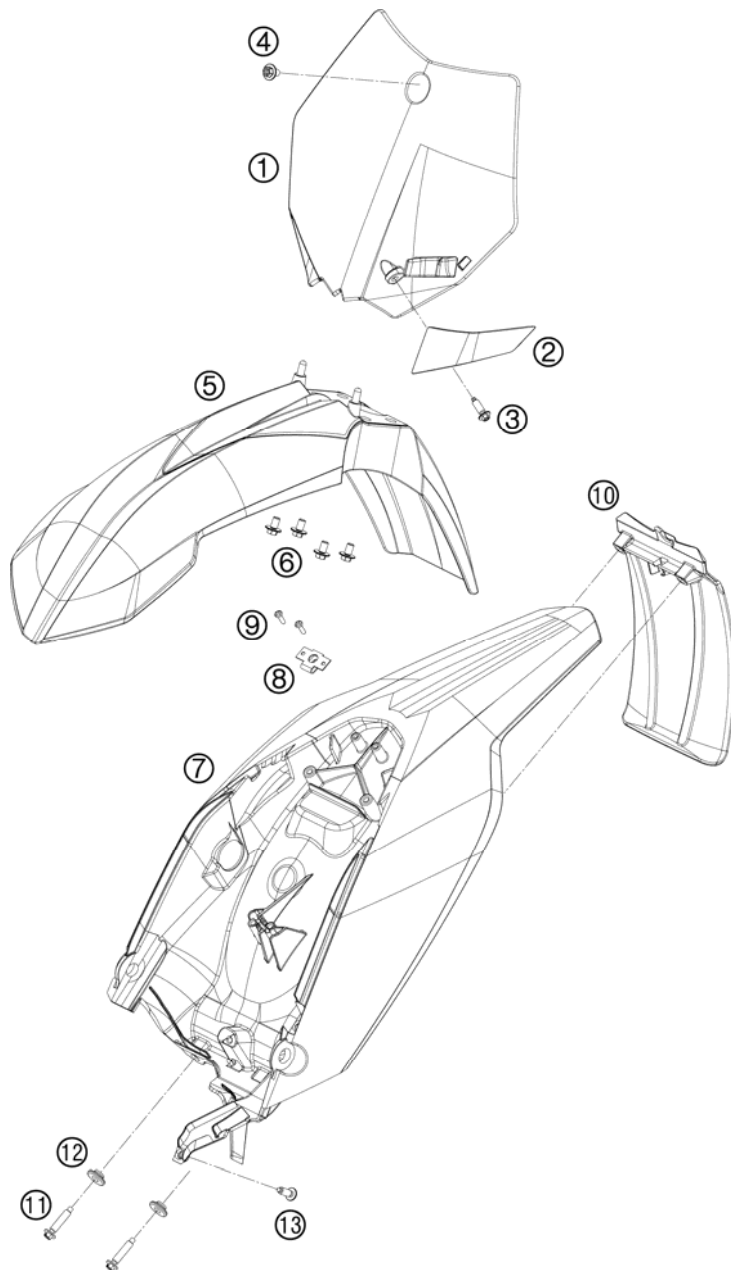


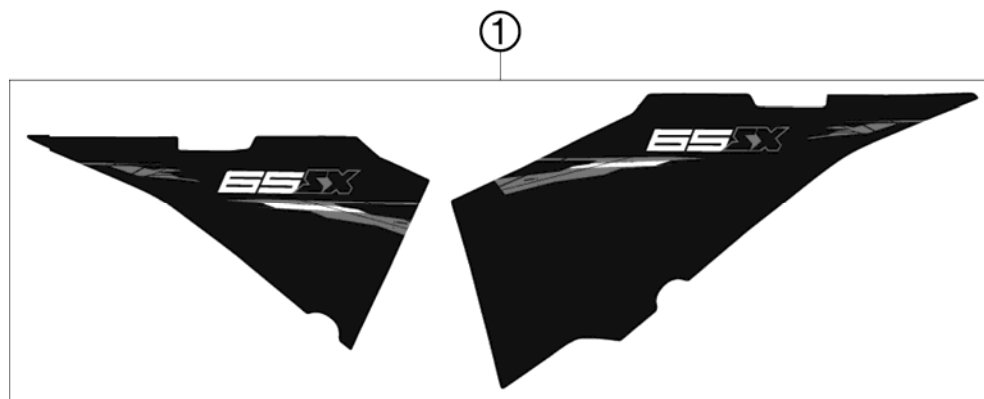
FIG	PART NUMBER	DESCRIPTION	QTY
1*	46208007000X4	START NUMBER PLATE 65 SX	1
2	46208022000X4	BRAKE HOSE GUIDE 65 SX 09	1
3	0017060204	EJOT PT SCREW K60X20 ALU WS=6	1
4	0024060106	HH COLLAR SCREW M6X10 TX30	1
5*	46208010000X4	FENDER FRONT 65 SX 2010	1
6	0024060136	HH COLLAR SCREW M6X13 TX30	4
7*	46208013000X4	REAR PART 65 SX	1
8	45007040050	QUICK RELEASE LATCHPLATE	1
9	0981350163	SHEET MET.SCR.DIN7981- 3,5X16	2
10	46206010000	SPLASH PROTECTION 65 SX 2009	1
11	0017060303	SPECIAL SCREW T60 6X30 WS=6	2
12	54808020000	SPACER BUSHING 03	2
13	0017060203	EJOT PT SCREW K60X20 WS=6	1

094620810 / C104620810

* NEW PART

X AS REQUIRED

FIG	PART NUMBER	DESCRIPTION	QTY
1	46208091200	DISPLACEME. DECAL 65 SX 2010	1



104620830 / C104620830

* NEW PART

X AS REQUIRED

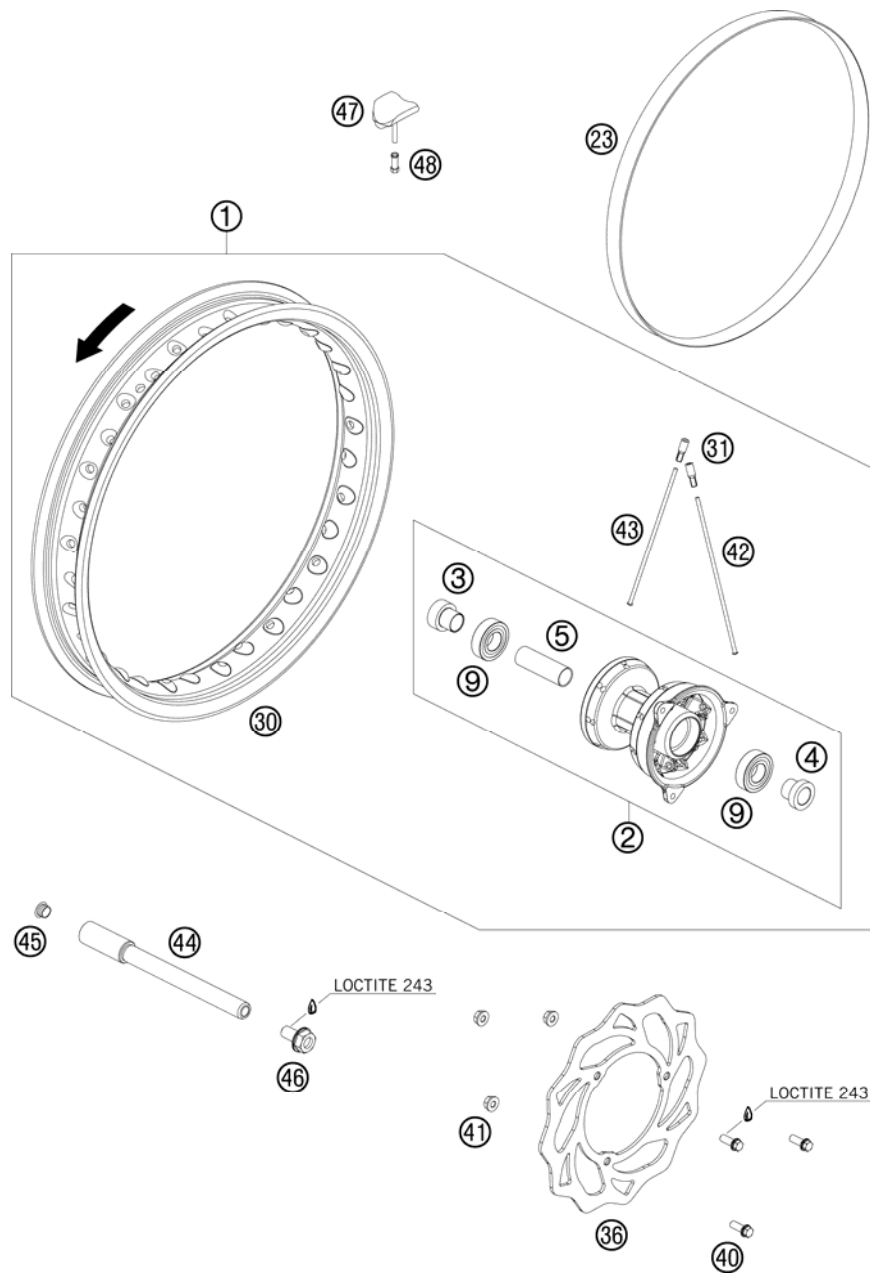


FIG	PART NUMBER	DESCRIPTION	QTY
1	46209001044	FRONT WHEEL-SP 65 SX 09	1
2	46109010144	FR.WHEEL HUB CPL. SILVER 2006	1
3	46009014000	SPACER BUSH L/S 65SX 04	1
4	46009013000	SPACER BUSH R/S 65SX 04	1
5	46009011100	BEARING SPACER TUBE	1
9	0625060037	GR.BALL BEAR. 6003-2RSH/C3HMTF	2
23	46009073000	RIM BAND 14"	1
30	4620907000030	RIM FRONT 14"X1,6 BLACK 2009	1
31	46009072100	SPOKE NIPPEL M3,5 2001	32
36	46209060000	BRAKE DISC FRONT 65 SX 09	1
40	59009062016	SPECIAL SCREW M6X16 WS=8 10.9	3
41	56509064100	SELF LOCKING NUT M6 10.9	3
42	46009071000	SPOKE M3,5X145MM	16
43	46009171000	SPOKE M3,5X149MM	16
44	46109081000	AXLE FRONT 65SX 2002	1
45	55009086000	PLUG SFL13	1
46	49032011000	HH COLLAR SCREW M10X20 WS=17	1
47	45110090000	RIM LOCK CPL. 2004	1
48	50310090050	NUT FOR WHEEL HOLDER '96	1

094620910 / C094620910

* NEW PART

X AS REQUIRED

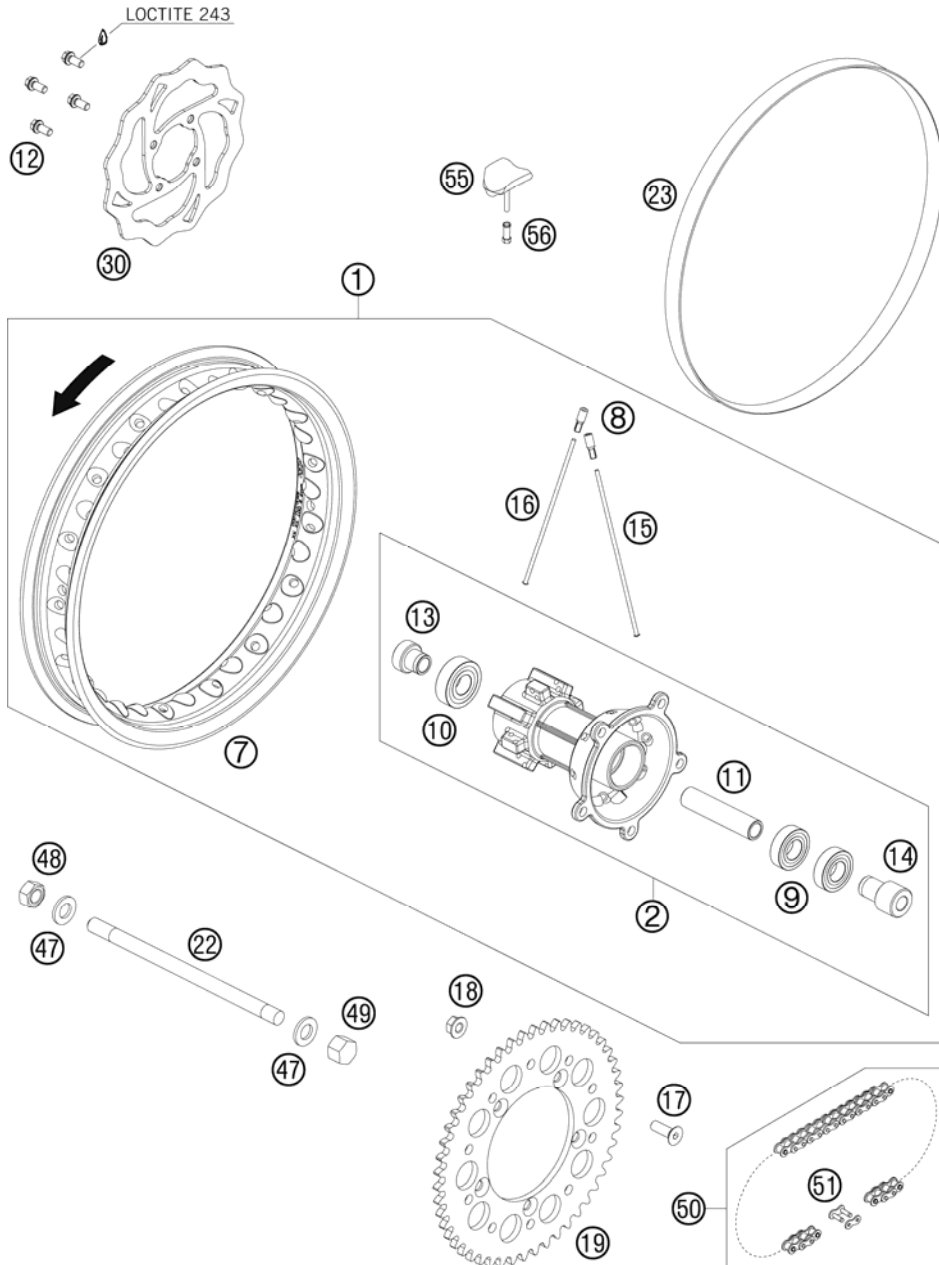


FIG	PART NUMBER	DESCRIPTION	QTY
1	46210001044	REAR WHEEL-SP 65 SX 09	1
2	46010010144	REAR WHEEL HUB CPL.60/65 2000	1
7	4621007000030	RIM REAR 12"X1,6 BLACK 2009	1
8	46009072100	SPOKE NIPPEL M3,5 2001	32
9	0625060037	GR.BALL BEAR. 6003-2RSH/C3HMTF	2
10	0625062032	GR.BALL BEAR. 6203-2RSHC3HMTF	1
11	46010011000	BEAR.SPACER TUBE REAR SX 60/65	1
12	59009062016	SPECIAL SCREW M6X16 WS=8 10.9	4
13	46010013000	SPACER BUSH R/S SX 60/65 2000	1
14	46010014000	SPACER BUSH L/S SX 60/65 2000	1
15	46210071136	SPOKE 3X136 C. 150°	16
16	46210071129	SPOKE 3X129 C. 161°	16
17	0991080253	FLAT HEAD SCREW DIN7991-M 8X25	5
18	54310086200	SELF LOCKING NUT M8 10.9	5
19	46010051046	REAR SPROCKET 46-T	x
19	46010051048	REAR SPROCKET 48-T	x
19	46010051050	REAR SPROCKET 50-T	x
22	46010085100	AXLE REAR 213MM M12X1	1
23	45109073100	RIM BAND 12"	1
30	46210060000	BRAKE DISC REAR 65 SX 09	1
47	45010081062	WASHER 20X12,2X2	2
48	45010081061	HEXAGON NUT 12X1 WS19	1
49	0917120103	NUT DIN917-M12X1	1
50	46110165112	CHAIN 1/2X1/4" 65 SX	1
51	46110166000	CONNECTING LINK 1/2X1/4"	1
55	51009100100	RIM LOCK VM1 (1,60")	1
56	50310090050	NUT FOR WHEEL HOLDER '96	1

094621010 / C094621010

* NEW PART

X AS REQUIRED

HAND BRAKE CYLINDER

65 SX 2010

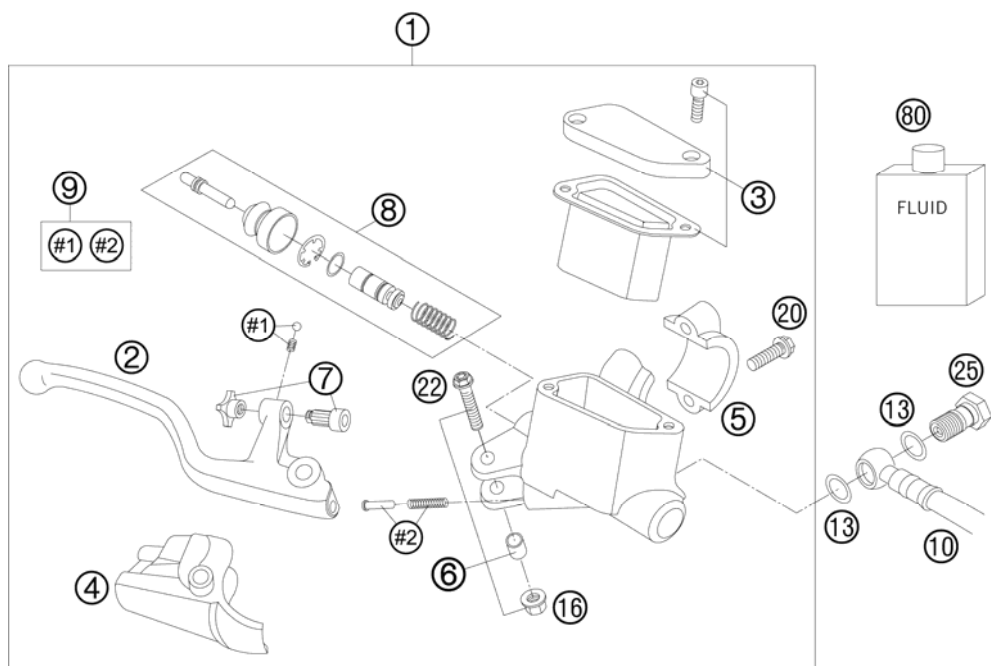


FIG	PART NUMBER	DESCRIPTION	QTY
1	47013001000	HAND BRAKE CYL. CPL. 11MM 03	1
2	47013002000	BRAKE LEVER LOOSE 85 SX 2003	1
3	47013003000	CYLINDER COVER CPL. FRONT 2003	1
4	47013004000	PROTECTION COVER 85 SX 2003	1
5	47013005000	CLAMP FOR BRAKE CYLINDER 2003	1
6	47013006000	SCREW+BUSHING+NUT 03	1
7	47013007000	ADJUSTING SCREW CPL. 85 SX 03	1
8	47013008000	REP.SET PISTON FRONT D=11MM	1
9	47013009000	BALL+SPRING+SPRING GUIDE 03	1
10	46113010100	BRAKE HOSE FRONT 65 SX 2004	1
13	0770080019	O-RING 8,00X1,00 FORMULA	2
16	56509064100	SELF LOCKING NUT M6 10.9	1
20	0025060206	HH COLLAR SCREW M6X20 TX30	2
22	0025060306	HH COLLAR SCREW M6X30 TX30	1
25	47013025000	HOLLOW SCREW BRAKE CYLINDER 03	1
80	00062030000	BRAKE FLUID DOT5.1 0,25L	1

094621310 / C094621310

* NEW PART

X AS REQUIRED

BRAKE CALIPER FRONT

65 SX 2010

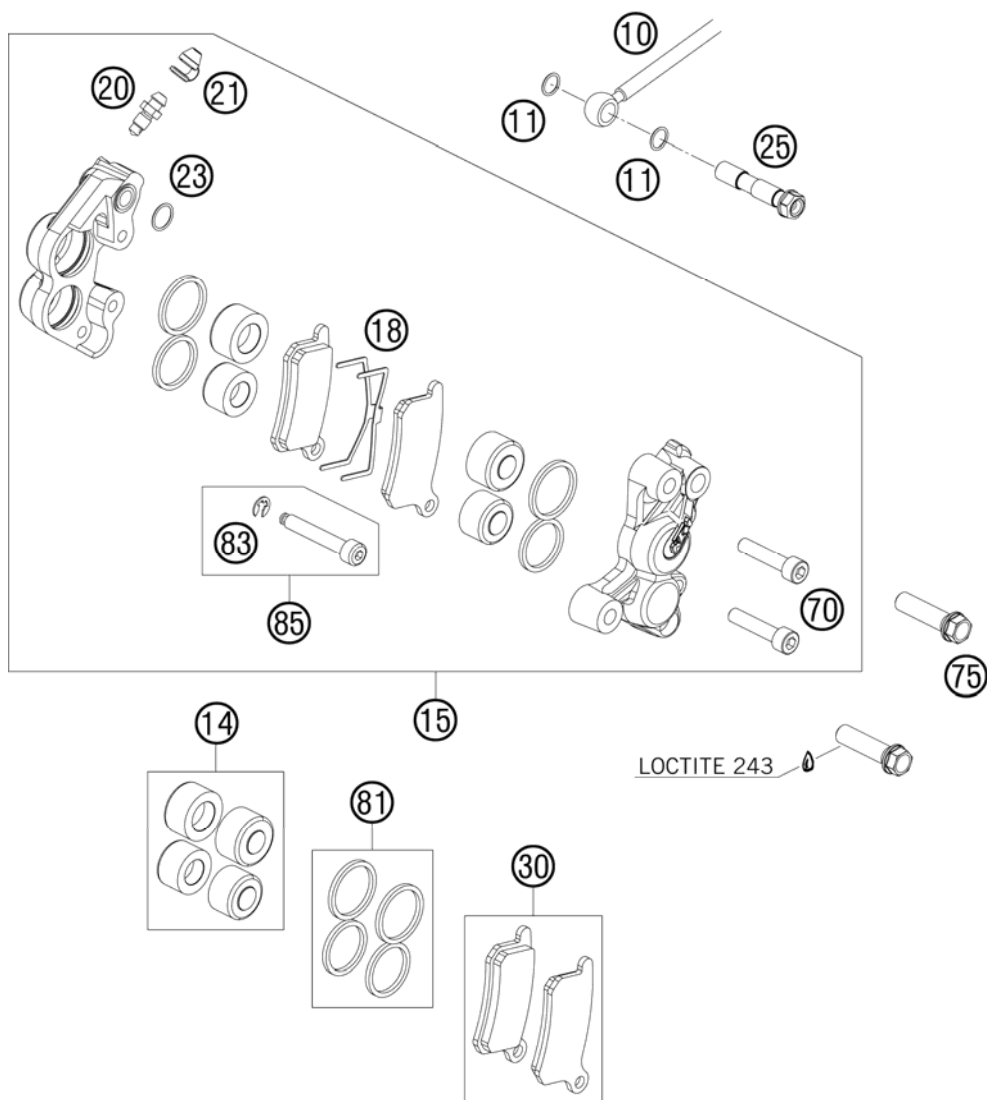


FIG	PART NUMBER	DESCRIPTION	QTY
10	46113010100	BRAKE HOSE FRONT 65 SX 2004	1
11	0770080019	O-RING 8,00X1,00 FORMULA	2
14	46113019050	REPAIR KIT BRAKEPISTON	1
15	47013015000	BRAKE CALIPER FR. CPL.85 SX 03	1
18	46113018000	RETAINING SPRING 65 SX	1
20	47013020000	BLEEDER SCREW M6	1
21	47013021000	CAP FOR BLEEDER SCREW	1
23	0770100019	O-RING 10X1 EPDM	1
25	47013125000	HOLLOW SCREW M8X38,8	1
30	46113030000	BRAKE PAD SET FRONT 2002	1
70	0912060283	AH SCREW DIN0912-M 6X28	2
75	0025080306	HH COLLAR SCREW M8X30 TX40	2
81	46113019000	REPAIR KIT SEAL RING 2002	1
83	0799040009	TAB WASHER DIN6799-RA 4,0	1
85	46113125000	AH SCREW + CIRCLIP 2002	1

094621360 / C094621360

* NEW PART

X AS REQUIRED

BRAKE CALIPER REAR

65 SX 2010

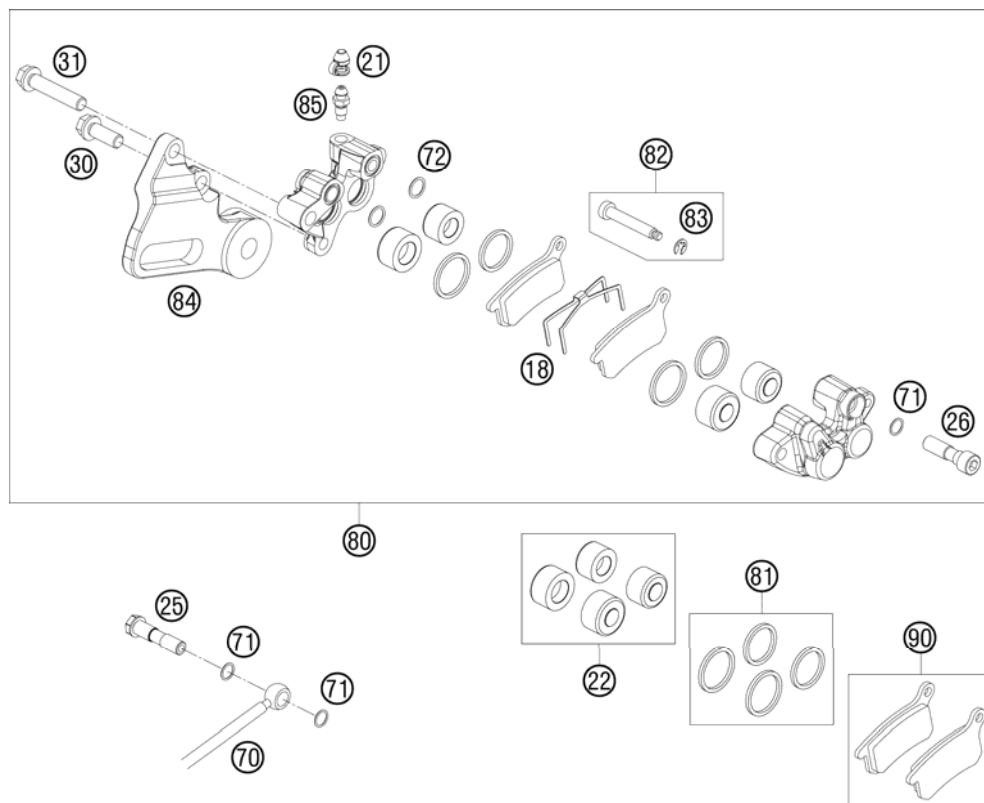


FIG	PART NUMBER	DESCRIPTION	QTY
18	46113018000	RETAINING SPRING 65 SX	1
21	47013021000	CAP FOR BLEEDER SCREW	1
22	47013083100	REPAIR KIT BRAKEPISTON	1
25	47013225000	HOLLOW SCREW REAR 85 SX 2003	1
26	47013325000	HOLLOW SCREW REAR 85 SX 2003	1
30	0025080206	HH COLLAR SCREW M8X20 TX40	1
31	0025080406	HH COLLAR SCREW M8X40 TX40	1
70	46213070000	BRAKE HOSE REAR 65 SX 09	1
71	0770080019	O-RING 8,00X1,00 FORMULA	3
72	0770100019	O-RING 10X1 EPDM	2
80	46213080000	BRAKE CALIPER REAR CPL.65SX 09	1
81	47013081000	REPAIR KIT SEAL RING REAR 03	1
82	47013425000	AH SCREW + CIRCLIP 85/105	1
83	0799040009	TAB WASHER DIN6799-RA 4,0	1
84	46213075000	BRAKE CALIPER SUPPORT	1
85	47013085000	BLEEDER SCREW M8X1	1
90	47013090200	BRAKE PADS REAR SINTER 85SX 08	1

094621390 / C094621390

* NEW PART

X AS REQUIRED

REAR BRAKE CONTROL

65 SX 2010

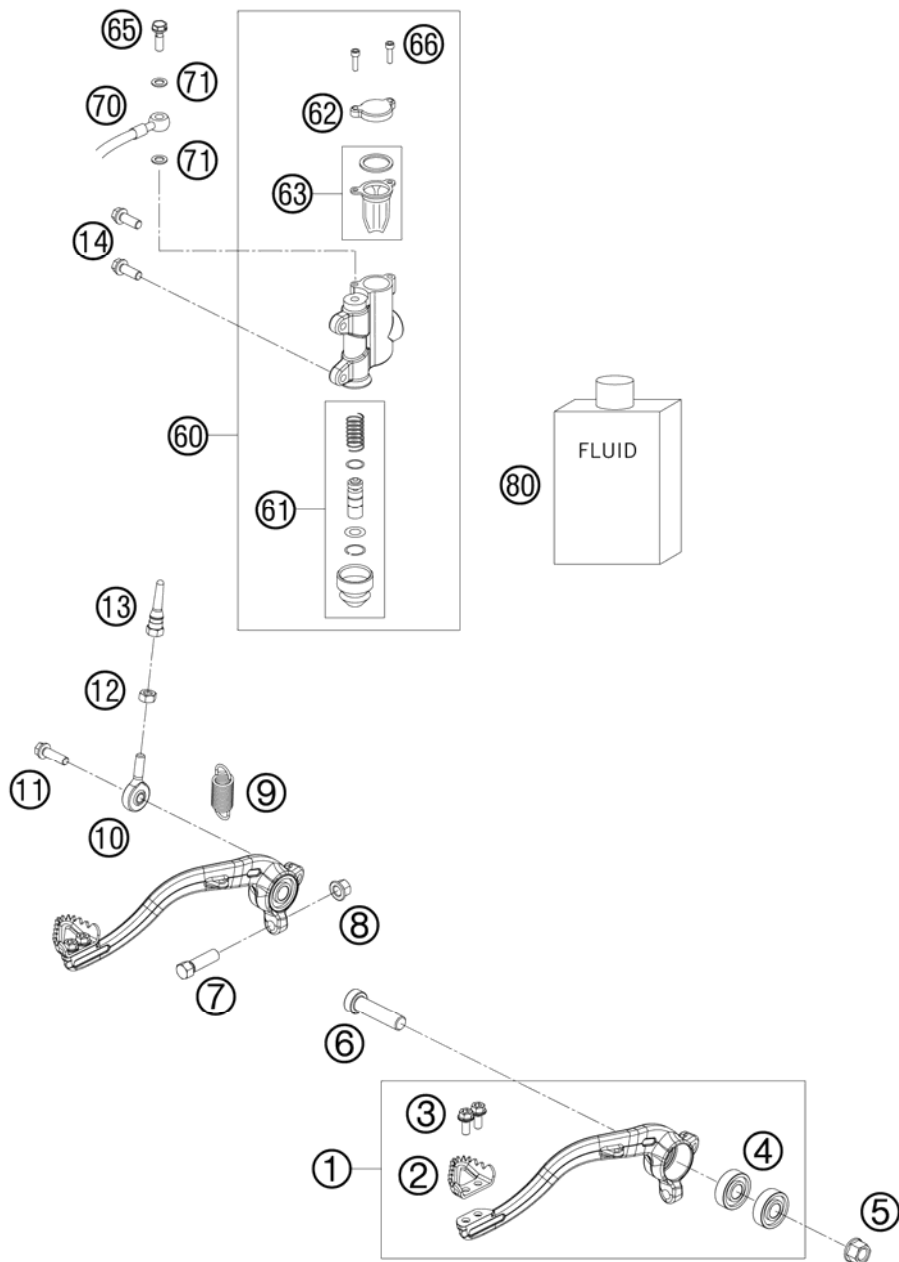


FIG	PART NUMBER	DESCRIPTION	QTY
1	46213050044	FOOT BRAKE LEVER 65SX CPL.	1
2	54813051000	STEP PLATE FOR BRAKE LEVER	1
3	0025050126	HH COLLAR SCREW M5X12 TX30	2
4	0625060001	BALL BEARING 6000/C3	2
5	54630044000	COLLAR NUT M10 WS=13	1
6	0912100406	AH SCREW DIN6912 M10X40 10.9	1
7	59001037000	SPECIAL SCREW M8X26 WS=10	1
8	46030045000	COLLAR NUT M8 WS=10	1
9	54603062000	RETURN SPRING FOR BRAKE LEVER	1
10	54813055000	SWIVEL HEAD KA6 03	1
11	0025060206	HH COLLAR SCREW M6X20 TX30	1
12	0934060003	HEXAGON NUT DIN0934-M 6	1
13	47013056100	PRESSURE ROD 85 SX 06	1
14	0025060166	HH COLLAR SCREW M6X16 TX30	2
60	47013060300	FOOT BRAKE CYL.R. CPL. D=12 05	1
61	47013061100	REP. SET PISTON REAR D=12 2004	1
62	47013062000	CYLINDER COVER REAR 85 SX 03	1
63	47013063000	GASKET CYLINDER COVER REAR 03	1
65	47013025000	HOLLOW SCREW BRAKE CYLINDER 03	1
66	0912040103	AH.SCREW DIN0912-M 4X10	2
70	46213070000	BRAKE HOSE REAR 65 SX 09	1
71	0770080019	O-RING 8,00X1,00 FORMULA	2
80	00062030000	BRAKE FLUID DOT5.1 0,25L	1

094621330 / C104621330

* NEW PART

X AS REQUIRED

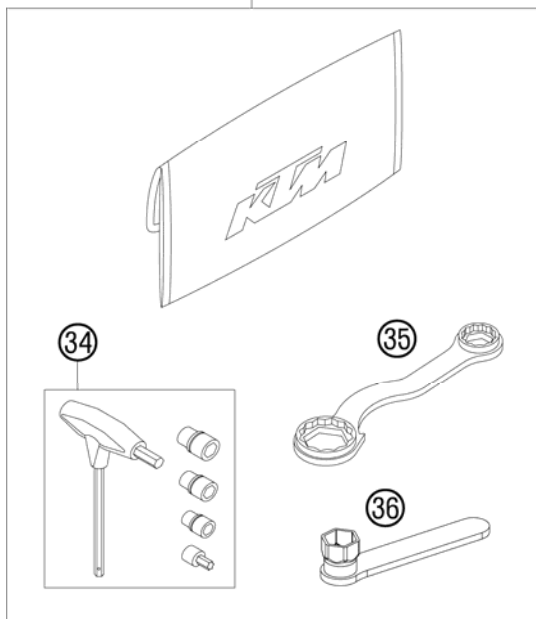
①

OHNE ABBILDUNG
WITHOUT ILLUSTRATION

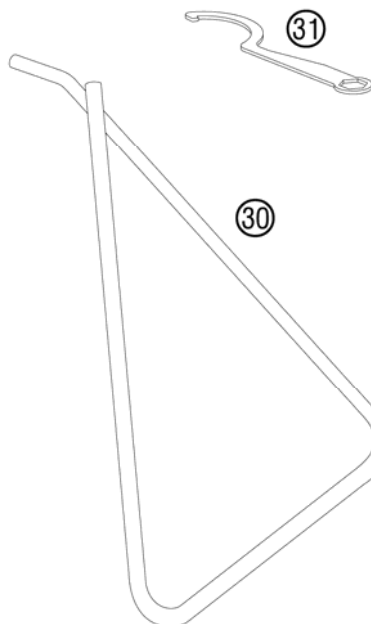
①

TECHNISCHE DOKUMENTATION
TECHNICAL DOCUMENTATION
DOCUMENTACION TECNICA
DOCUMENTATION TECHNIQUE
NOTE TECNICHE

②



③



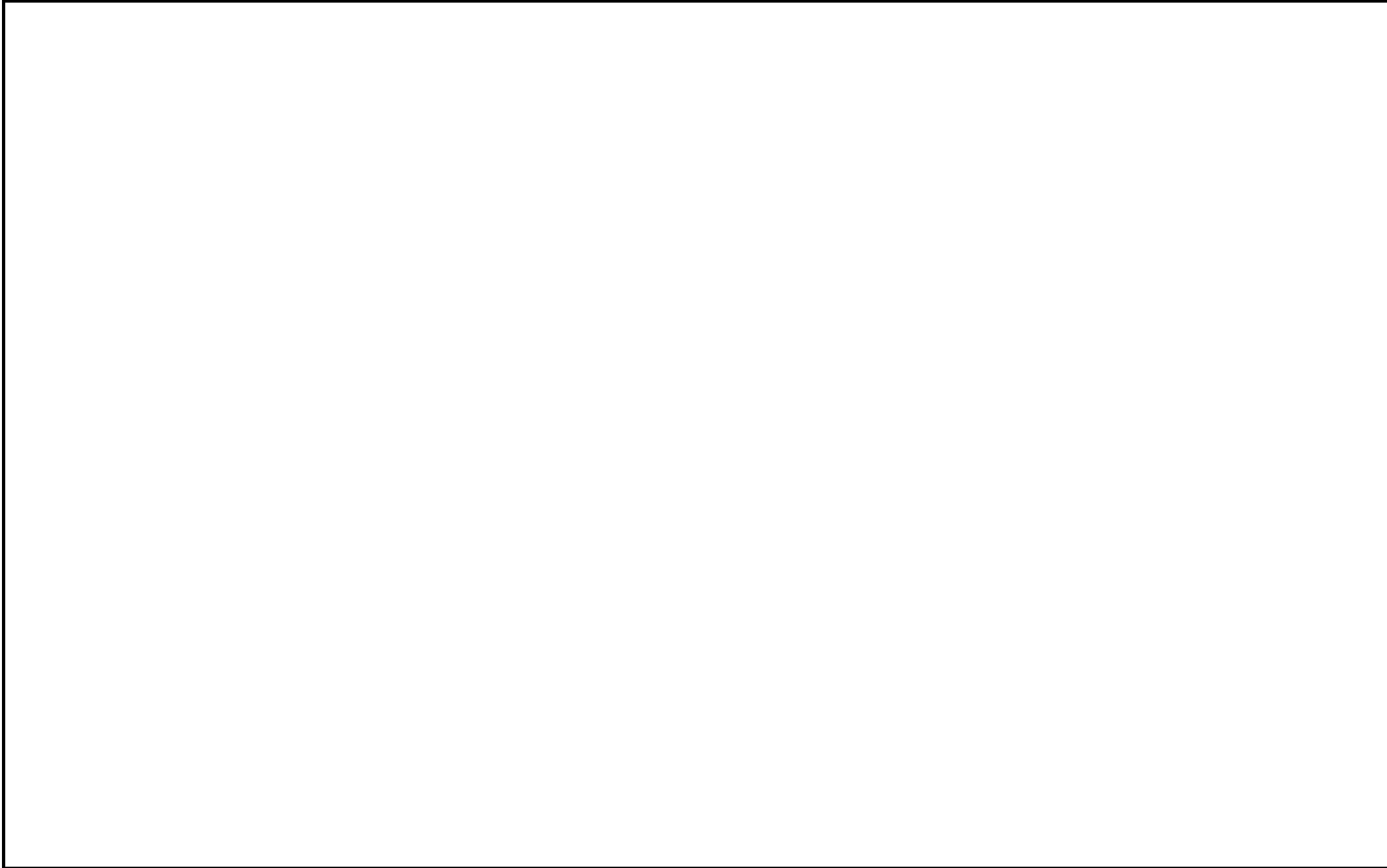
④

FIG	PART NUMBER	DESCRIPTION	QTY
0	0024060136	HH COLLAR SCREW M6X13 TX30	4
0	312305	DOCUMENTS BAG 2006	1
0	312313	KTM BALLPOINT ORANGE	1
0	44011076200	CABLE TIE 200/3,6MM BLACK	2
0*	46208010000X4	FENDER FRONT 65 SX 2010	1
0	4700304003390	FOOTPEG L.+R. CPL. 85 SX 03	1
1	3211478EN	OWN. MANUAL 65 SX 2010	1
1	322000	SAFETY BROCHURES SPORTMINICYC.	1
1	3CF6001J6EN	SPM CHASSIS 65 SX MINI 2010	1
1	3CM080208JEN	SPM ENGINE 65 SX 2010	1
29	46229099000	TOOL KIT 65 SX 09	1
30	47003020000	PLUG IN STAND SX 85 2003	1
31	46012024000	HOOK WRENCH FOR SHOCK ABSORBER	1
34	60029070200	T-WRENCH WS=6/8/10 TX=45 B&F	1
35	50329080100	WRENCH SW=17/21/27/32 B&F	1
36	45229073000	SPARK PLUG WRENCH	1

094622001 / C104622001

* NEW PART

X AS REQUIRED









KTM-Sportmotorcycle AG
A-5230 Mattighofen
www.ktm.at

KTM Group Partner



3CF6001J6EN



Art.Nr.: 3CF6001J6EN 4/2009