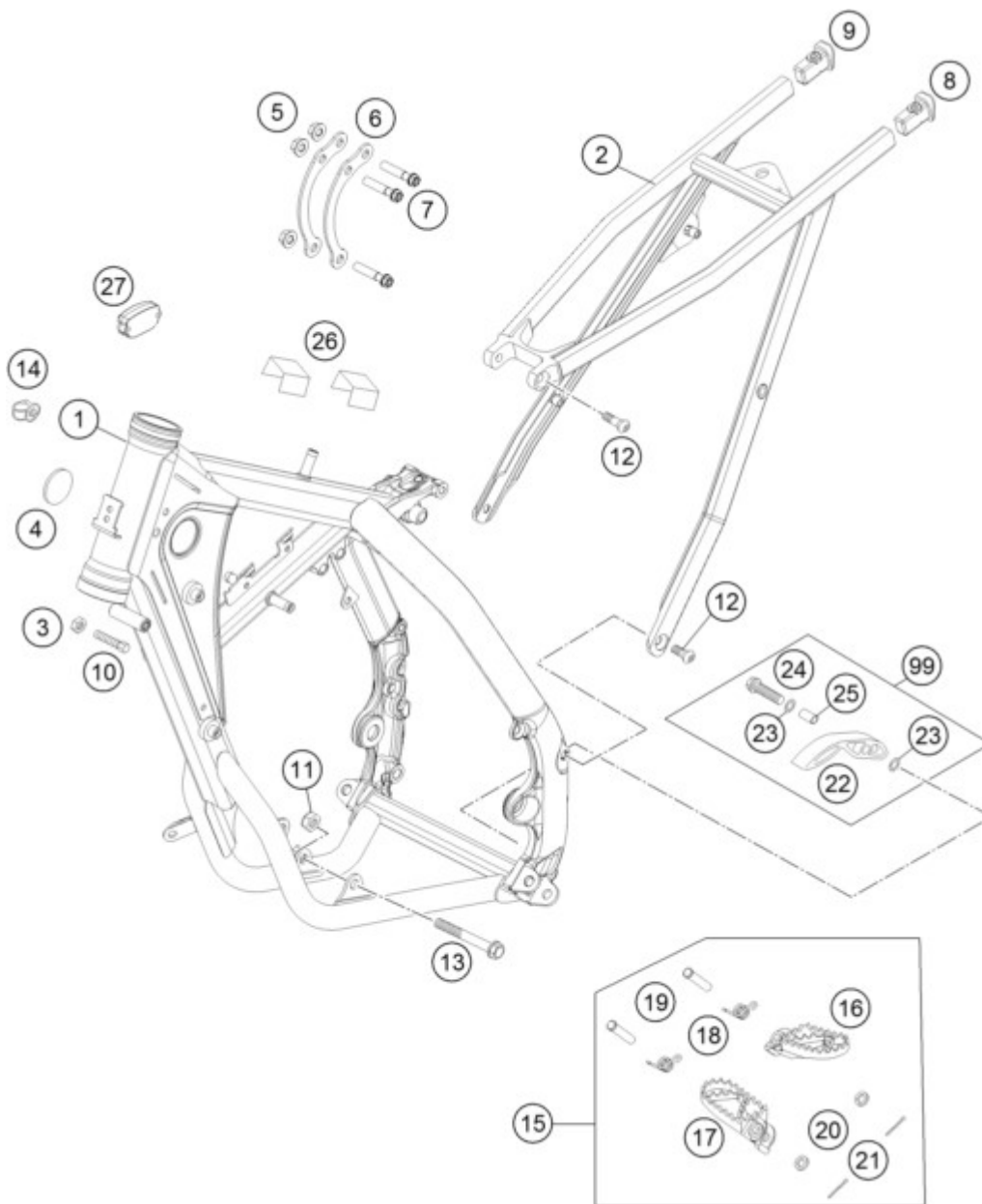




85 SX 17/14 <2017><EU><F6001Q8>

FRAME, SUB FRAME

C174710310



Position	Part number	Description	Qty
1	4710300100033	FRAME 85SX "471M3"	1
2	47103002000	SUB FRAME	1
3	0934080003	HEXAGON NUT DIN0934-M 8	2
4	54606004000	PLUG 37MM	2
5	54310086200	SELF LOCKING NUT M8 10.9	3
6	47103013100	REINFORCING	2
7	0025080356	HH COLLAR SCREW M8X35 TX40	3
8	78103002010	SUB FRAME APPLICATION LEFT	1
9	78103002020	SUB FRAME APPLICATION RIGHT	1
10	59001037000	SPECIAL SCREW M8X26 WS=10	1
11	54310086100	SELF LOCKING NUT M10 CU WS=14	2
12	0019080206S	FLAT HEAD SCREW M. ISA45 M8X20	4
13	47003013000	ENGINE BRACKET SCREW 85 SX	2

14	58111076000	CABLE SUPPORT KHS NR.150-47610	2
15	47103040033	FOOTREST CPL. 14	1
16	47103040000	FOOTREST L/S	1
17	47103041000	FOOTREST R/S	1
18	54603041000	FOOTREST SPRING L/S & R/S	2
19	54803044000	PIN FOR FOOT PED 51.5X9.8 MM	2
20	0125100003	WASHER DIN0125-A10,5	2
21	0094032253	PIN DIN0094-3,2X25 STEEL	2
22	51103053000	CHAIN SLIDING PIECE BELOW '97	1
23	36003014000	LOCK WASHER 8MM	2
24	0025080306	HH COLLAR SCREW M8X30 TX40	1
25	51103053051	BUSHING 8,2X10X20	1
26	50307012000	ADH. FOIL TRANSP. 80X80 MM 04	2
27	78112920000	HOUR METER KTM	1
99	51103053110	CHAIN SLIDING KIT BELOW MINI	1