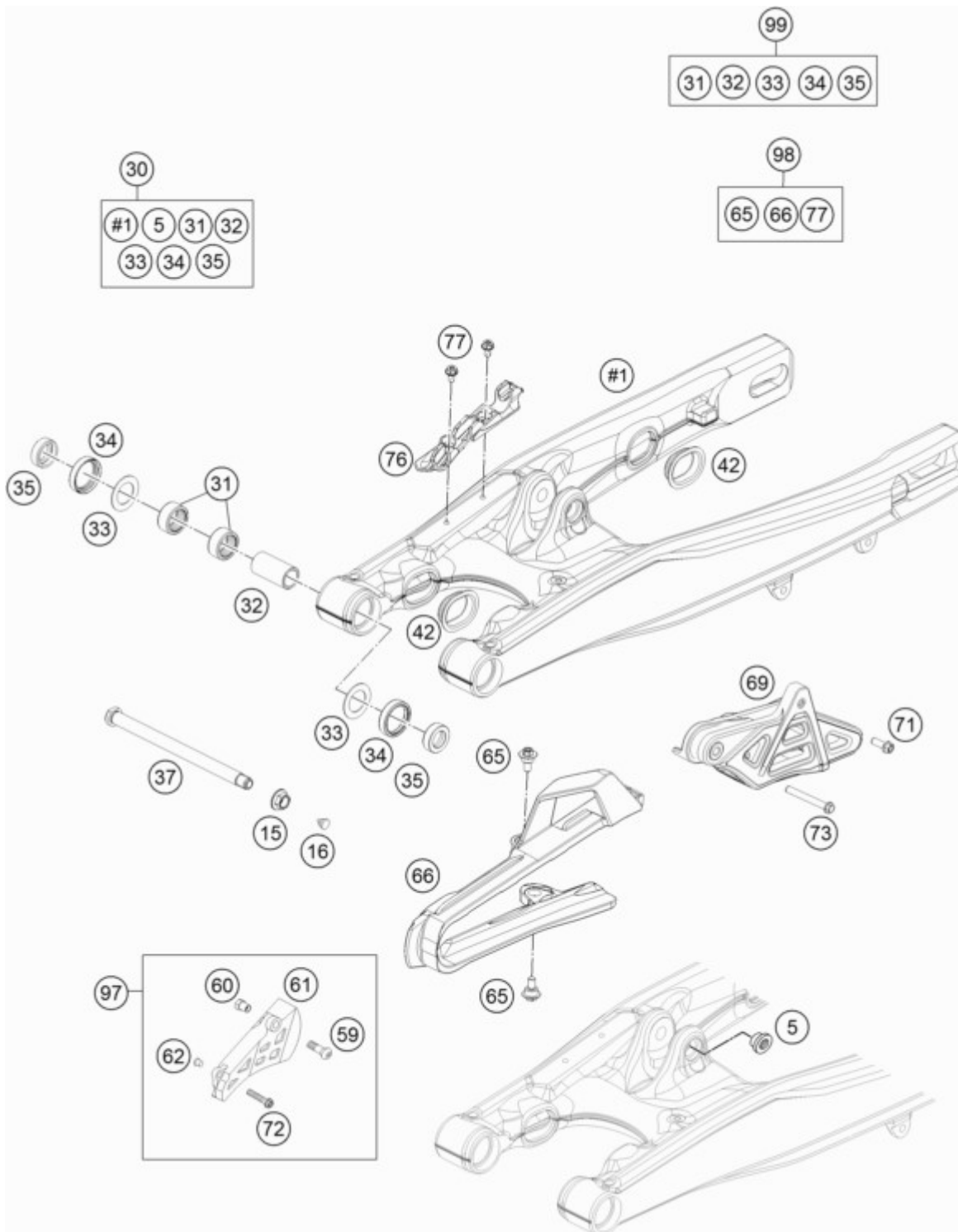




85 SX 17/14 <2017><EU><F6001Q8>

SWING ARM

C164710490



Position	Part number	Description	Qty
5	50180105	THREADED BUSH M12 PDS	1
15	77204087000	HEX NUT M14X1.5 SW17	1
16	54403135000	PLASTIC CAP SFL10	1
30	47104030044	SWINGARM 85SX CPL. 2015	1
31	59004031000	NEEDLE BUSH HK2012V	4
32	50203081700	BUSHING SLEEVE 15X20X38,75	2
33	59033080000	SHIM 20X32X1	4
34	0760253270	SHAFT SEAL RING 25X32X7	4

35	54603090000	BUCKET F.SHAFTSEALRING 15X25X9	4
37	47104037000	SWING ARM BOLT 85 SX	1
42	77204041000	CLOSING COVER	4
59	0019080206	COUNTER-SUNK SCREW ISA45 M8X20	1
60	47030060051	THREADED BUSH FOR CHAIN GUARD	1
61	47007061000	CHAIN GUARD 85 SX 2003	1
62	58314060050	% SPACER BUSH. F. SPEEDOMET.B.	1
65	83008100015	SPECIAL SCREW M6X15X5,5	2
66	47104066000	CHAIN SLIDING GUARD SM 15	1
69	78104070100	CHAIN GUIDE EXC	1
71	0025060206	HH COLLAR SCREW M6X20 TX30	1
72	0025060306	HH COLLAR SCREW M6X30 TX30	1
73	0025060456	HH COLLAR SCREW M6X45 TX30	1
76	47113047000	BRAKE HOSE GUIDE	1
77	0009050106	EJOT SPIRAL SCREW SF M5X10-K	2
97	47007061010	SPROCKET COVER KIT	0
98	47104066010	CHAIN GUARD KIT 85 SX 15	1
99	47004230010	SWINGARM REP. KIT 105/85 SX	1