

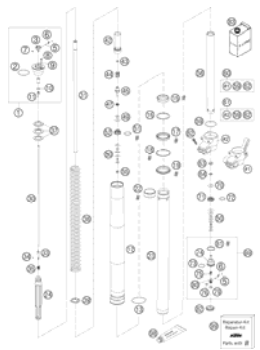
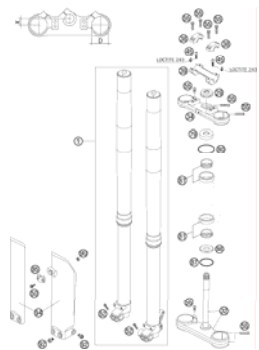
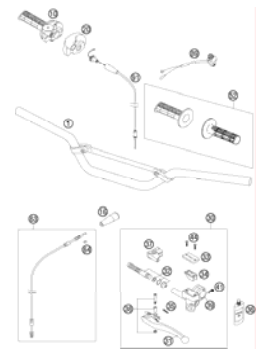
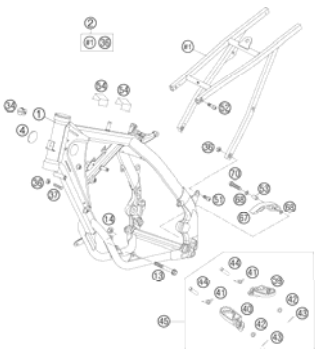
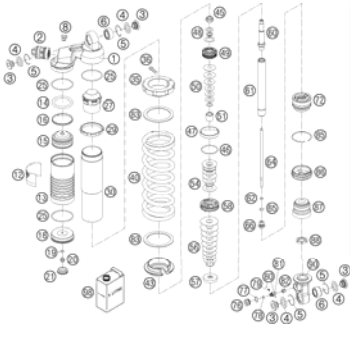
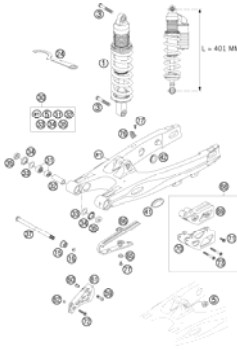
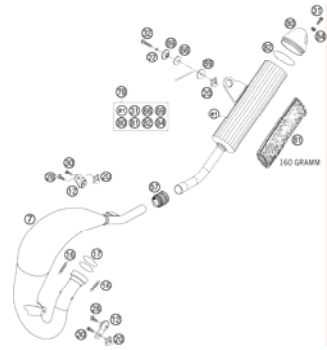
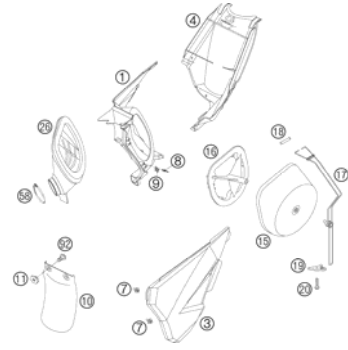
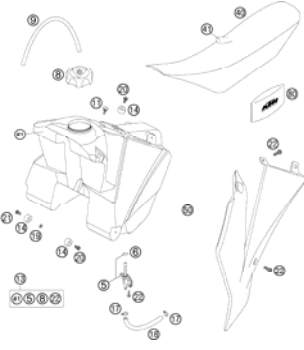
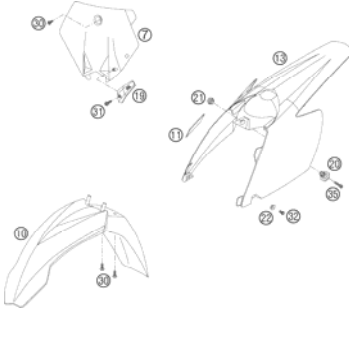

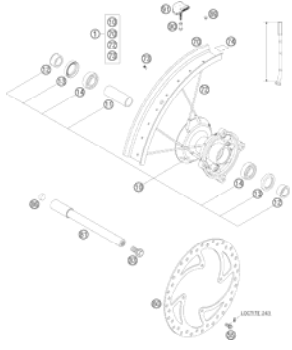
85 SX 19/16 2007

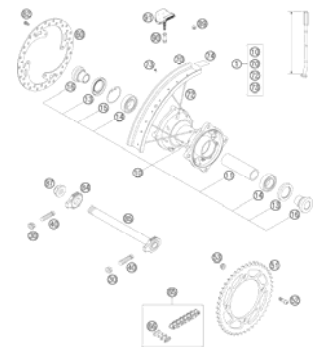
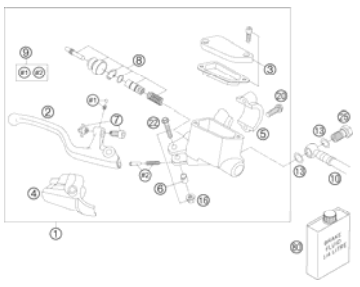
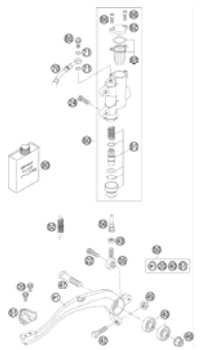

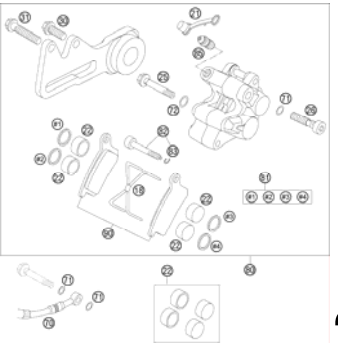
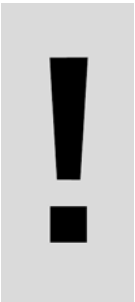
SPARE PARTS MANUAL: CHASSIS

ART.NO.: 3CF6001G9EN

ENGLISH



FORK LEGS  3	FRONT FORK  6	HANDLEBAR, CONTROLS  7	FRAME, SUB FRAME  8
MONOSHOCK DISASSEMBLED  9	SWINGARM, MONOSHOCK  12	EXHAUST SYSTEM  13	AIR FILTER BOX  14
TANK, SEAT, COVER  15	MASK, FENDERS  16	DECAL  17	FRONT WHEEL  18

<p>REAR WHEEL</p>  <p>19</p>	<p>HAND BRAKE CYLINDER</p>  <p>20</p>	<p>REAR BRAKE CONTROL</p>  <p>21</p>	<p>BRAKE CALIPER FRONT</p>  <p>22</p>
<p>BRAKE CALIPER REAR</p>  <p>23</p>			
	 <p>All information contained is without obligation. KTM-Sportmotorcycle AG particularly reserves the right to modify any equipment, technical specifications, prices, colors, shapes, materials, services, service work, constructions, equipment and the like so as to adapt them to local conditions or to cancel any of the above items, all without previous announcement and without giving reasons. KTM may stop manufacturing certain models without previous notice. KTM shall not be held liable for any deviations of availability and/or ability to deliver, illustrations, descriptions, printing and/or other errors. The illustrated models partly contain extra equipment, which is not applied to standard models. © 2004 by KTM-SPORTMOTORCYCLE AG, Mattighofen AUSTRIA; All rights reserved; Reprint, also in extracts, with written allowance of KTM-SPORTMOTORCYCLE AG, Mattighofen only.</p>		

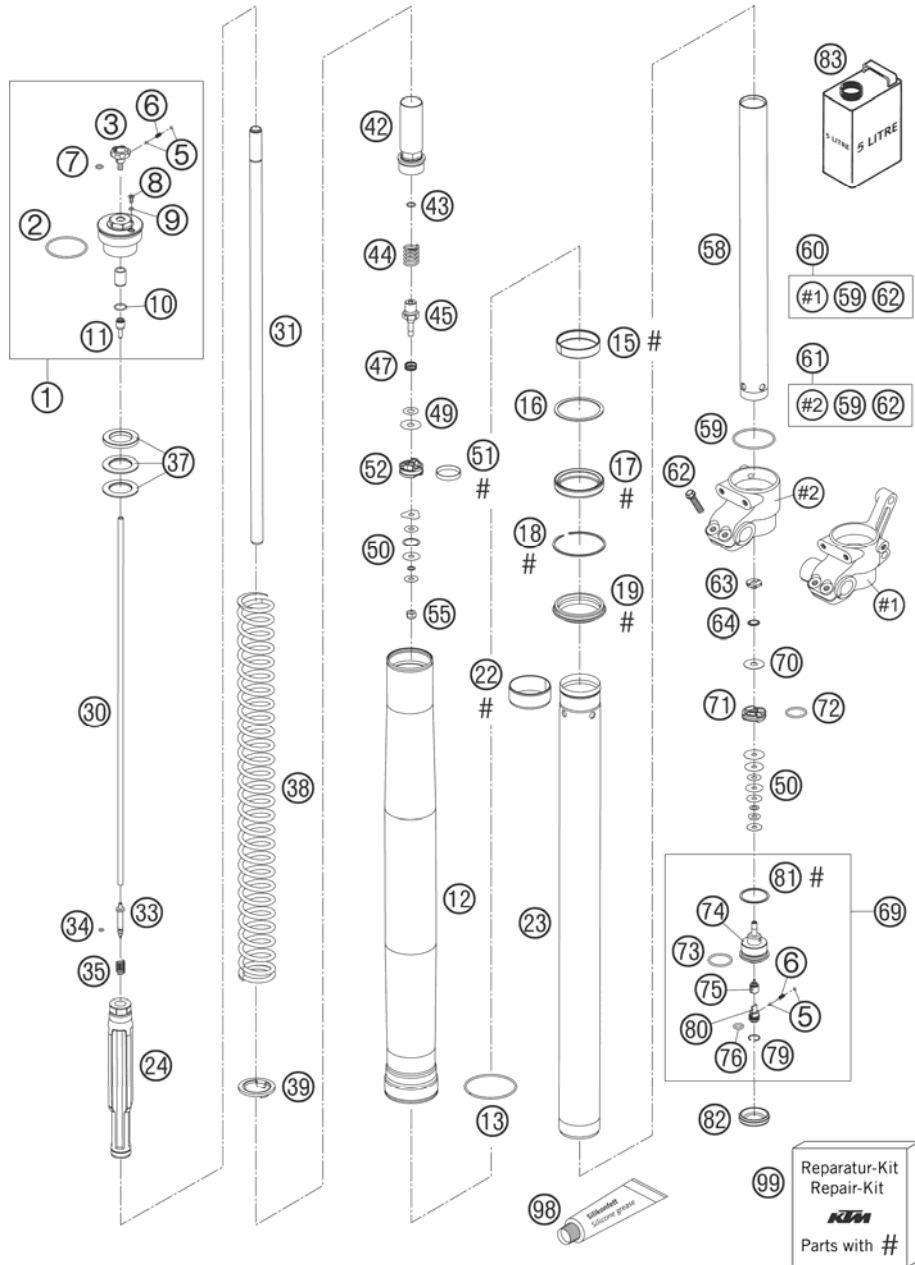


FIG	PART NUMBER	DESCRIPTION	QTY
1	43570216S	SCREW CAP M4X1,5 CPL.	2
2	46811042	O-RING 40,00X2,00 WP	2
3	48600018	KNOB REBOUNG ADJUSTER	2
5	40540603	STEEL BALL D=3MM	8
6	48600028	SPRING D=2,9 L=7,9	4
7	48600044	O-RING NBR 6X1,5	2
8	48600076	VENT SCREW M4X8	2
9	48600046	O-RING NBR 3X1,5	2
10	48600043	O-RING NBR 12X1,5	2
11	48600019	HOLDER F.ADJUSTMENT TUBE D=4MM	2
12	43570254	OUTER TUBE L=510 D=49/53 ZWA.	2
13	43570099	GUIDING RING D=53MM	2
15	43570204	DU-BUSH 43X47X12 DAIDO	2
16	43570092	SUPPORT RING 45 X 52,5 X 1,5	2
17	43570201	OIL SEAL RING 43 X 52,9 X 9,5	2
18	43570008	LOCK WASHER SB53	2
19	43570202	DUST STRIPPER 43 X 53,4 X 11,8	2
22	43570203	DU-BUSH 42X44X20	2
23	43570217	INNER TUBE D=43MM L=520MM	2
24	43570212S	HYDR. STOP L=135MM D=31,9 CPL.	2
30	48600310	ADJUSTMENT TUBE L=437MM	2
31	48600416	PISTON ROD D=14 L=471 M11X1	2
33	48600189	NEEDLE REBOUNG 2003	2
34	48600046	O-RING NBR 3X1,5	2
35	48600033	SPRING REBOUNG NEEDLE C=4N/MM	2
37	43570133	SPACER 26X38X2,5	2
37	43570134	SPACER 26X38X5	2
37	43570135	SPACER 26X38X10	2
37	43570136	SPACER 26X38X1,5	2
38	95010029S	SPRING 2,8 N/MM SET D=4,2MM	x
38	95010030S	SPRING 3,0 N/MM SET D=4,2MM	1
38	95010031S	SPRING 3,2 N/MM SET D=4,2MM	x
39	43570131	INTERM. RING 26,2X38,5X3	2
42	48600200S1	SCREW SLEEVE M29,3X1 L=65 CPL.	2
43	48600239	O-RING NBR 8X1,25	2
44	48600192	REBOUNG SPRING D=15MM L=34,5MM	2

05470011 / C064700101

* NEW PART

X AS REQUIRED



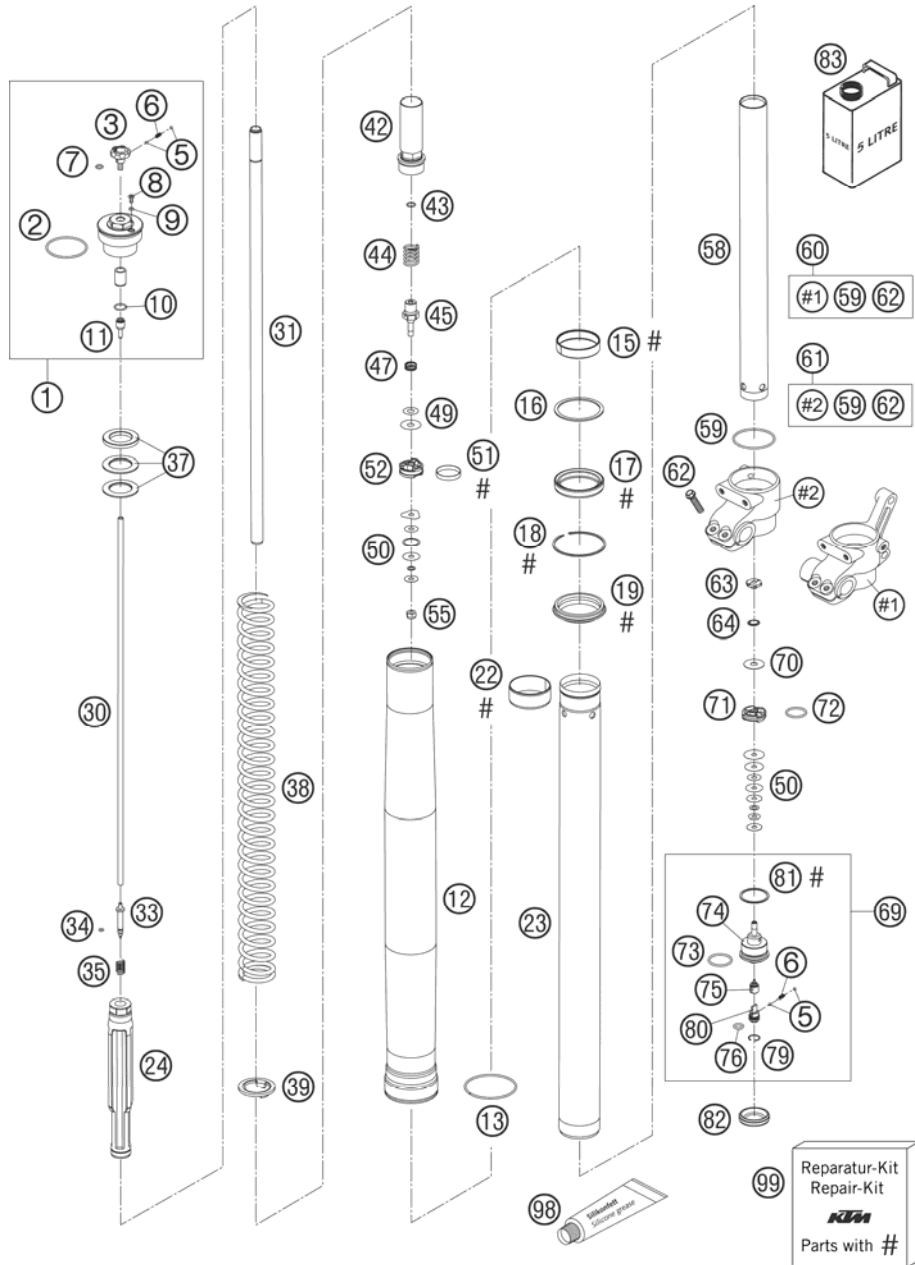


FIG	PART NUMBER	DESCRIPTION	QTY	
45	48600203	TAB REBOUND D=3	03	2
47	48600382	SHUTTLE VALVE SPRING C=0,4		2
49	48600062	CHECK VALVE 8X24X0,1		8
49	48600068	CHECK VALVE 8X18X0,1		2
49	48600215	CHECK VALVE 8X20X0,1		2
49	48600216	CHECK VALVE 8X22X0,1		2
50	40540401	SHIM 6X14X0,1		x
50	40540402	SHIM 6X16X0,1		x
50	40540403	SHIM 6X18X0,1		x
50	40540414	SHIM 6X16X0,25		x
50	40540415	SHIM 6X18X0,25		x
50	40540447	SHIM 6X10X0,3		x
50	40540450	SHIM 6X9,5X0,3		x
50	48600063	SHIM 6X24X0,1		x
50	48600064	SHIM 6X22X0,1		x
50	48600065	SHIM 6X20X0,1		x
50	48600116	SHIM 6X24X0,1 DELTA		x
51	48600060	PISTON RING 5X1X84		2
52	48600042	PISTON REBOUND D=27,7		2
55	40540486	NUT M6X0,5 REBOUND		2
58	48600353	TUBE 29,3X1X370 D=8,5MM ALU		2
59	43570023	O-RING NBR 41X2		2
60	43570214S	AXLE CLAMP L/S CPL. 85 SX	03	1
61	43570213S	AXLE CLAMP R/S CPL. 85 SX	03	1
62	0015060203	HH COLLAR SCREW M 6X20 WS=8		4
63	48600163	CHECK VALVE NUT M6X0,5 D=2		2
64	48600202	SPRING CHECK VALVE D=0,7		2
69	48600152S1	TAP COMPRESSION CPL.	03	2
70	48600061	CHECK VALVE 8X24X0,4		2
71	48600047	PISTON COMPRESSION D=27,9		2
72	46811499	O-RING NBR 21X2		2
73	35480320	O-RING NBR 24X2		2
74	48600152	TAP COMPRESSION		2
75	48600190	NEEDLE COMPRESSION	2003	2
76	48600049	O-RING NBR 8X2		2
79	48600051	LOCK WASHER RB12		2

05470011 / C064700101

* NEW PART

X AS REQUIRED



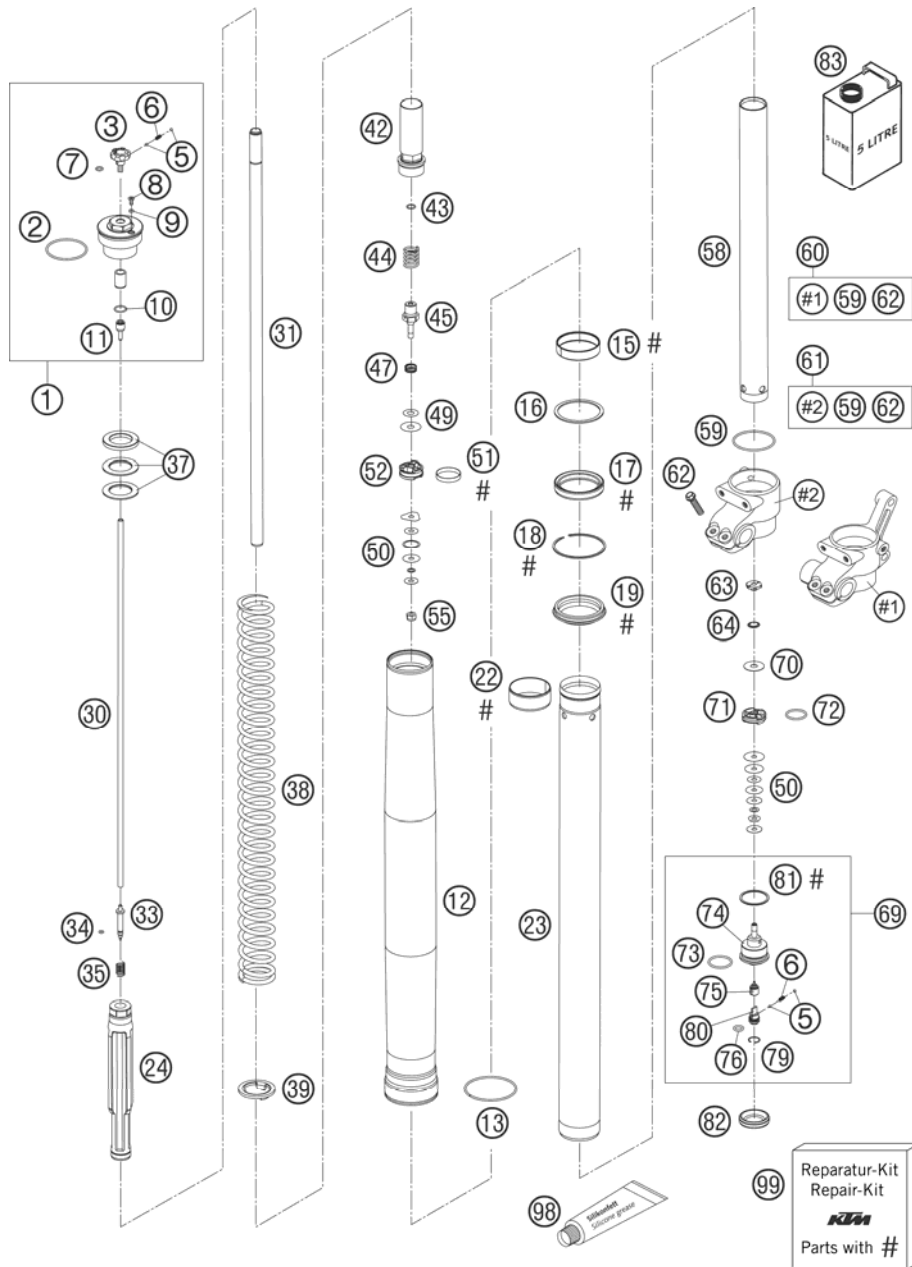


FIG	PART NUMBER	DESCRIPTION	QTY
80	48600034	COMPRESSION ADJ. SCREW	2
81	48600004	COPPER WASHER 29,5X33,5X1	2
82	48600141	RUBBER CAP D=35MM	2
83	48600401S1	FORK OIL SAE 5 2005	1
98	T511	SILICONE GREASE F. DUST STRI	1
99	R510	REPAIR-KIT GASKET 4357 MXMA 03	1

05470011 / C064700101

* NEW PART

X AS REQUIRED

FRONT FORK

85 SX 19/16 2007

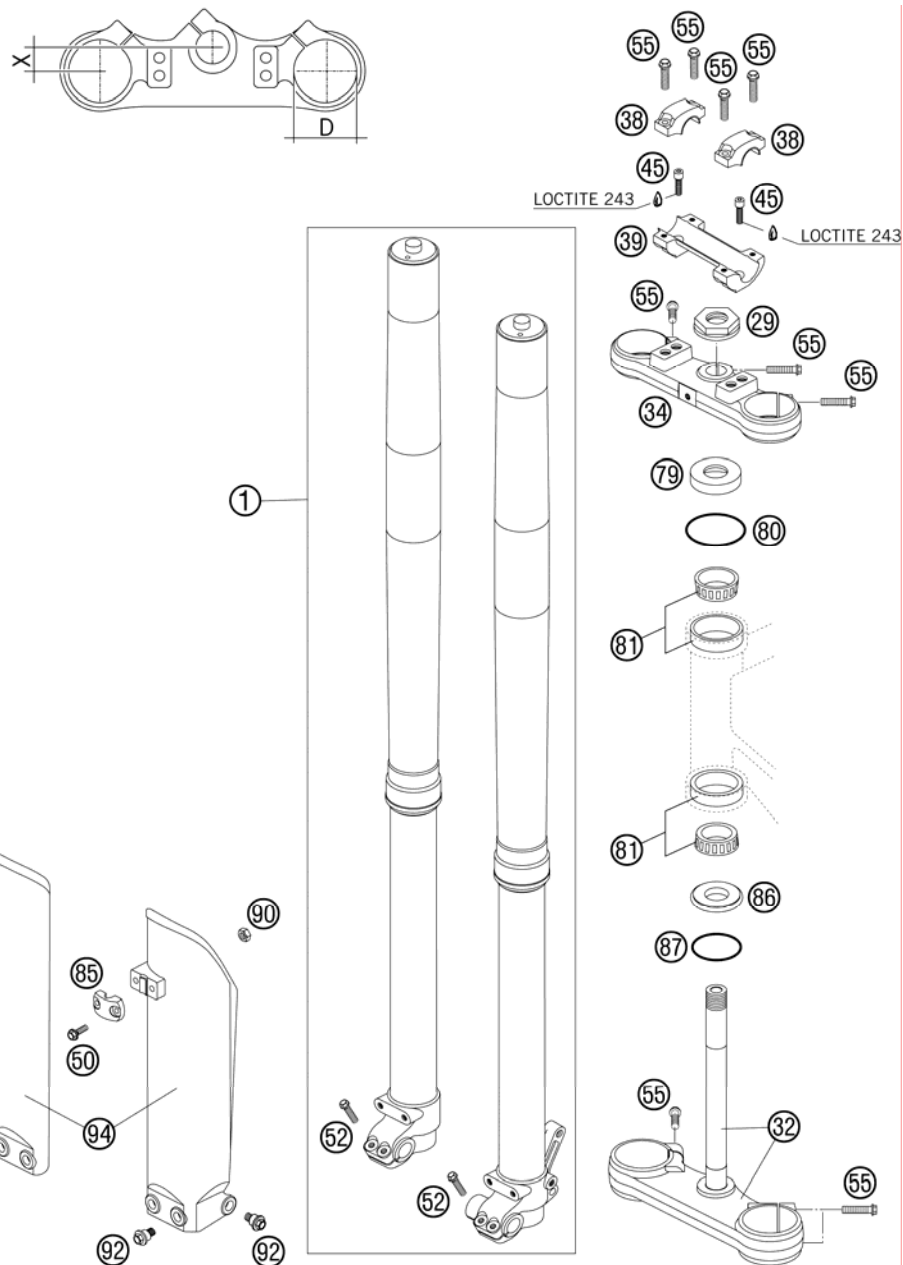


FIG	PART NUMBER	DESCRIPTION	QTY
1*	05187C05	FORK	1
29	59030029000	HH NUT M20X1,5 WS=27 RIGHT	1
32	47001032014	BOT.TRIPLE CLAMP CPL. 85 SX 03	1
34	47001034014	TOP TRIPLE CLAMP 85 SX 2003	1
38	50301038000	HANDLEBAR CLAMP D=22MM 2001	2
39	59001039000	HANDLEBAR SUPPORT 22MM 2T 2000	1
45	0912100250	AH SCREW DIN6912-M10X25,10.9,L	2
50	0015050163	HH COLLAR SCREW M 5X16 WS=8	2
52	0015060203	HH COLLAR SCREW M 6X20 WS=8	4
55	0015080303	HH COLLAR SCREW M 8X30 WS=10	11
79	49001086000	COVERING CAP	1
80	0770021300	O-RING 40,94X2,62 NBR70	1
81	49001081000	TAPERED ROLLER BEARING 32004X	2
85	5460108500004	BRAKE HOSE CLAMP ORANGE 06	1
86	46001086000	PROTECTION RING 20,1X39X5	1
87	0770360030	O-RING 36,00X3,00 NBR	1
90	0985050003	SELF LOCKING NUT DIN0985-M 5	2
92	59001092050	SPECIAL SCREW M6X12,5 WS=8	6
94	4700109400004	FORK PROTECTOR L/S+R/S 85SX 06	1

074700100 / C074700100

* NEW PART

X AS REQUIRED

HANDLEBAR, CONTROLS

85 SX 19/16 2007

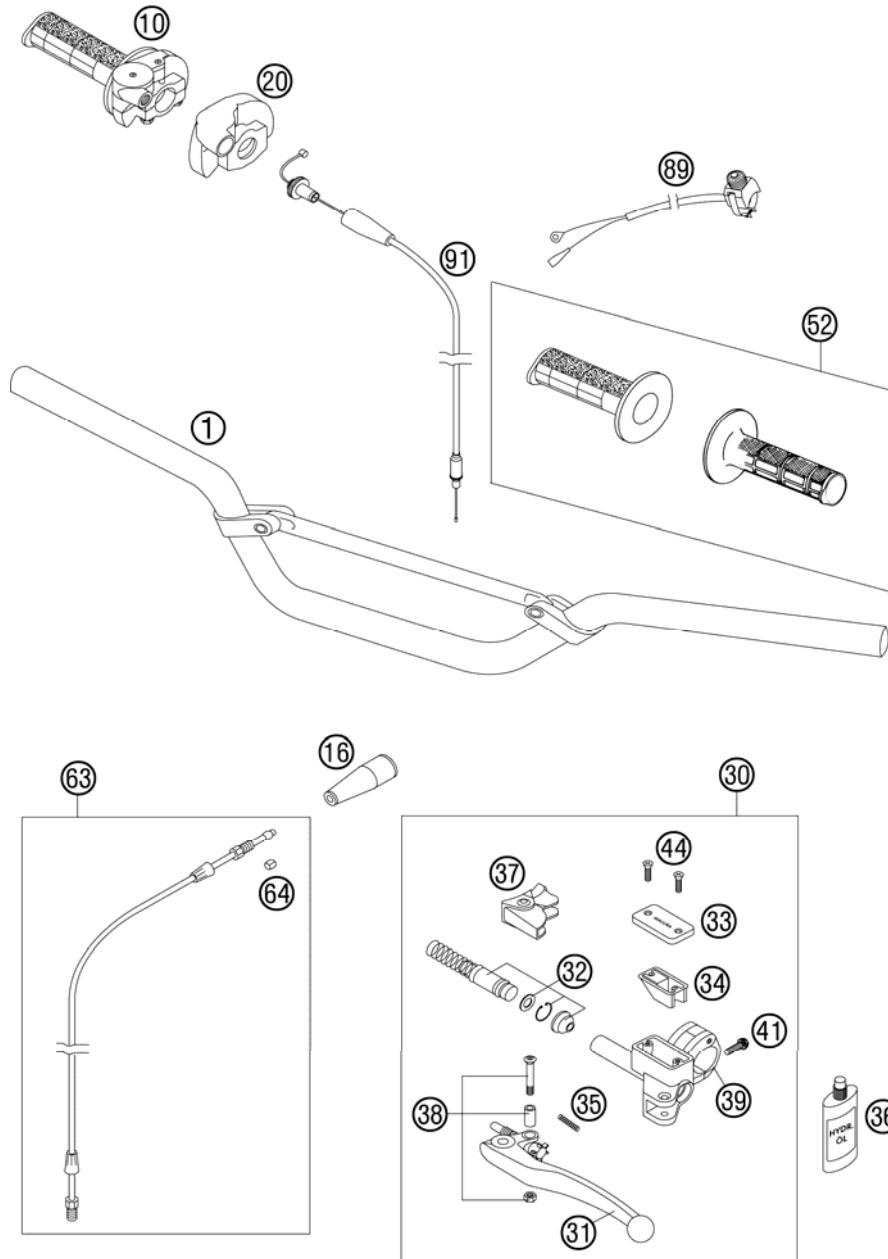


FIG	PART NUMBER	DESCRIPTION	QTY
1	47002001100	HANDLEBAR D=22MM 85 SX 2005	1
10	50302010000	THR.TWIST CRIP CPL. W.O. C. '97	1
16	54002016000	PROTECTION CAP	1
20	50302020000	PROTECTION COVER '97	1
30	46102030100	MASTER CYLINDER CPL. D=9MM 05	1
31	54602031000	CLUTCH LEVER SHORT CPL. 2003	1
31	59002031000	CLUTCH LEVER LONG CPL. 2003	x
32	59002032100	REP.KIT PISTON 9,0MM RAC. 2004	1
33	50302033100	COVER HYD.CLUTCH 2T 2000	1
34	50302034000	RUBBER FOR RESERVOIR '98	1
35	59002035000	SPRING FOR CLUTCH LEVER 03	1
36	50302036200	OIL FOR HYD. CLUTCH 75ML	1
37	50302037000	PROTECT.CAP FOR LEVER PERCH'98	1
38	50302038000	LEVER SCREW CPL. 125-200 '98	1
39	50302030150	CLAMP WITH PIN 2000	1
41	0015060203	HH COLLAR SCREW M 6X20 WS=8	1
44	0965040123	FLAT HEAD SCREW DIN0965-M 4X12	2
52*	50202021000	RUBBER GRIP SET	x
63	46132063000	PIPE KIT FOR HYDR.CLUTCH 65 SX	1
64	50332063050	SELF CUTTING RING HYDR.PIPE	1
89	50311089200	SHORT CIRCUIT BUTTON 02	1
91	50302091000	THROTTLE C. 125-380 DOM./KEIH.	1

074700200 / C074700200

* NEW PART

X AS REQUIRED

FRAME, SUB FRAME

85 SX 19/16 2007

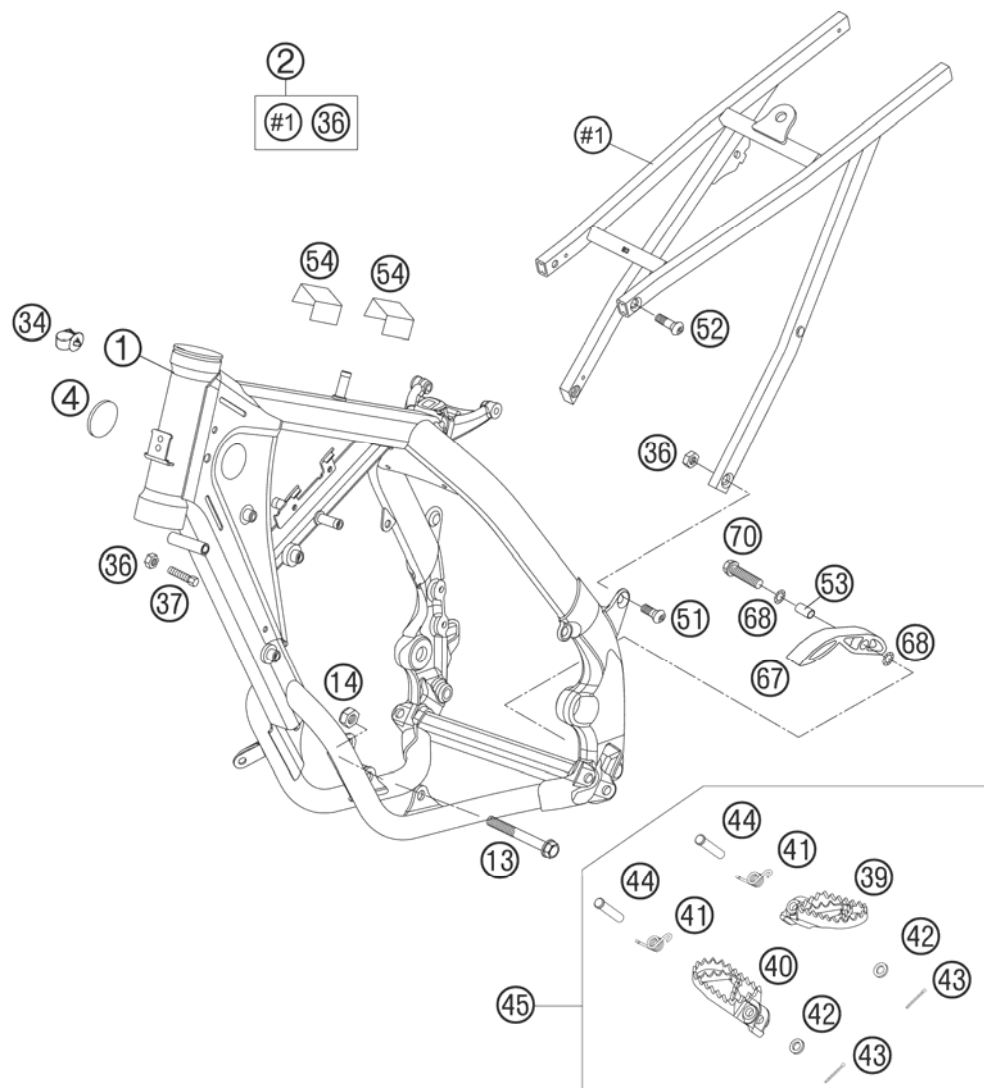


FIG	PART NUMBER	DESCRIPTION	QTY
1	4700300120030	FRAME CPL. 85 SX "AA06"	06
2	47003002144	SUB FRAME BLACK 85 SX	06
4	54606004000	PLUG 37MM	2
13	47003013000	ENGINE BRACKET SCREW 85 SX	2
14	54310086100	SELF LOCKING NUT M10 CU WS=14	2
34	58111076000	CABLE SUPPORT KHS NR.150-47610	2
36	0934080003	HEXAGON NUT DIN0934-M 8	4
37	59001037000	SPECIAL SCREW M8X26 WS=10	2
39	59003040050	FOOT PED L/S EXC SILVER 2000	1
40	59003041050	FOOT PED R/S EXC SILVER 2000	1
41	54603041000	FOOTREST SPRING L/S & R/S	2
42	0125100003	WASHER DIN0125-A10,5	2
43	0094032253	PIN DIN0094-3,2X25 STEEL	2
44	54803044000	BOLT FOR FOOT PED 03	2
45*	4700304003390	FOOTREST L.+R. CPL. 85 SX 03	1
51	54610052000	SPROCKET SCREW-AH M8X20 WS=6	2
52	54510052100	SPROCKET SCREW-AH M8X26 WS=6	2
53	51103053051	BUSHING 8,2X10X20	1
54	58711054050	METAMOLL FOR BATTERY BRACKET	2
67	51103053000	CHAIN SLIDING PIECE BELOW '97	1
68	36003014000	LOCK WASHER 8MM	2
70	0015080303	HH COLLAR SCREW M 8X30 WS=10	1

064700300 / C064700300

* NEW PART

X AS REQUIRED

MONOSHOCK DISASSEMBLED

85 SX 19/16 2007

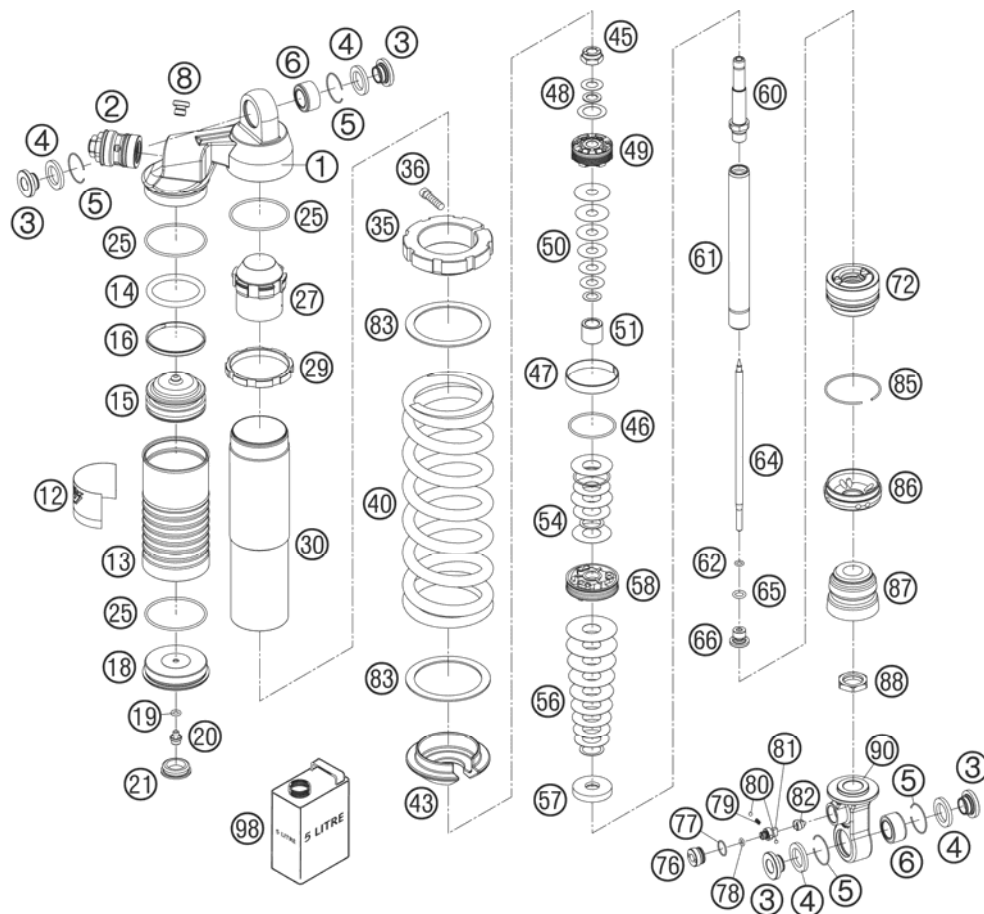


FIG	PART NUMBER	DESCRIPTION	QTY
1	46180348	SHOCK ABSORBER TOP H40 135deg.	1
2	50180213S6	DCC-COMPR.DAMP.CONTROL CPL. 04	1
3	46180007	ADAPTOR BUSH KGW 12X24	4
4	46180003	OIL SEAL KGW D=25	4
5	50180168	WASHER KGW D=25	4
6	50180005	BUSHING KGW 1525 HD	2
8	50180095	BLEED PLUG R 1/8	1
12	52000014	STICKER WP 35X55	1
13	50180266	RES. SCREW L=113,5 D=52 BLACK	1
14	46180014	O-RING VITON 41X5	1
15	46180002	SEPARATION PISTON D=52, H=32	1
16	46180015	PISTON RING 3,9X1,5X156	1
18	50180344	RESERVOIR CAP D=58	1
19	46810893	O-RING NBR 5,28X1,78	1
20	36120151	SCREW PLUG M5X6	1
21	46811208	RUBBER CAP "DO NOT OPEN"	1
25	46810016	O-RING NBR 48X2	3
27	46180340	SLEEVE D=48	1
29	46180352	LOCK WASHER M52X1,5	1
30	46180345	TUBE M52X1,5	1
35	46180353	SPRING RETAINER M52X1,5	1
36	0912050253	AH SCREW DIN0912-M 5X25	1
40	91010201	SPRING (59) 215 45 N/MM D=10	x
40	91010272	SPRING 215 30 N/MM D=9,00 ORAN	x
40	91010273	SPRING 215 35 N/MM D=9,25 ORAN	1
40	91010274S	SPRING 215 40 N/MM D=9,50 ORG	x
43	46180349	SPRING WASHER H=15 D=28	1
45	46180356	PISTON ROD NUT M10X1	1
46	46810035	O-RING VITON 37,82X1,78	1
47	46811206	PISTON RING 8X46	1
48	36120349	SHIM 10X19X0,30	1
48	50180032	SHIM 15X25X0,25	1
48	50180395	RING 10X16X1	1
49	14460016	PISTON + PISTON SPRING	1
50	36120312	SHIM 10X16X0,30	1
50	36120334	SHIM 10X21X0,20	1

05470041 / C064700401

* NEW PART

X AS REQUIRED

MONOSHOCK DISASSEMBLED

85 SX 19/16 2007

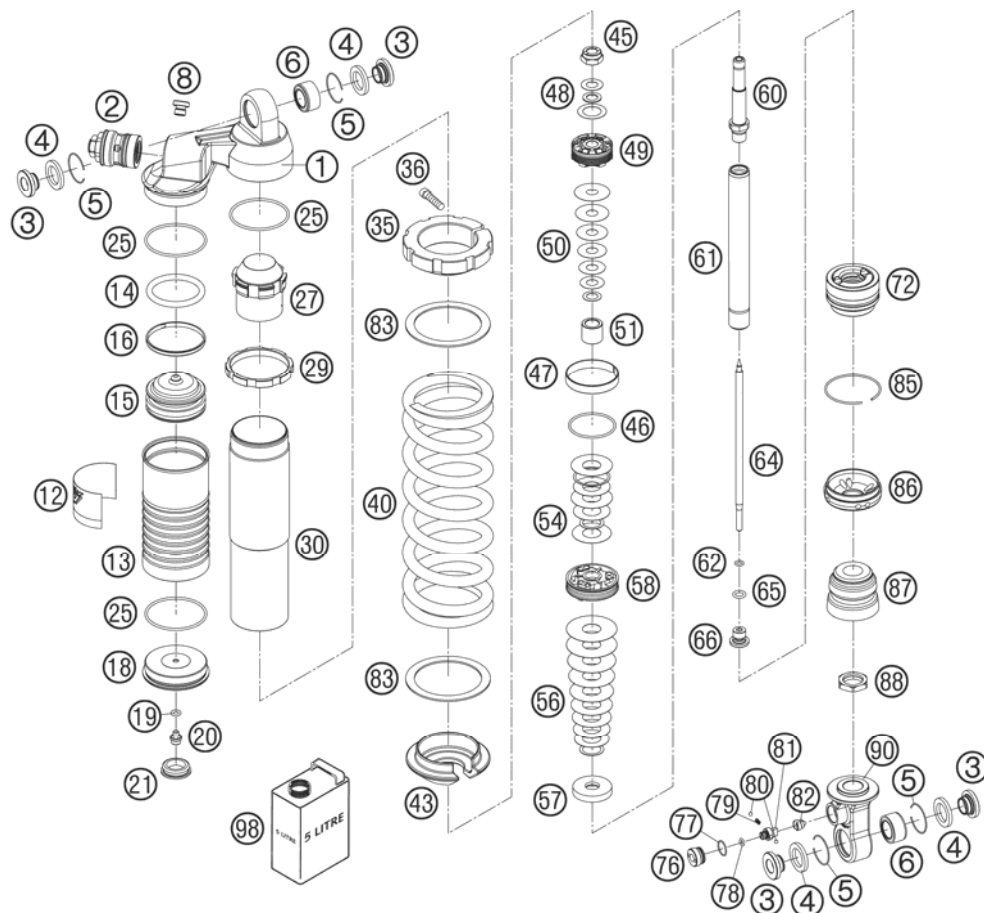


FIG	PART NUMBER	DESCRIPTION	QTY
50	36120335	SHIM 10X23X0,20	1
50	36120336	SHIM 10X25X0,20	1
50	36120337	SHIM 10X27X0,20	3
50	36120338	SHIM 10X29X0,20	1
50	36120339	SHIM 10X31X0,20	1
51	46180339	SEPARATION BUSH 17X12X18	1
54	46810492	SHIM 12X28X0,20	1
54	46810493	SHIM 12X30X0,20	1
54	46810494	SHIM 12X32X0,20	1
54	46810495	SHIM 12X34X0,20	1
54	46810496	SHIM 12X36X0,20	2
54	46810518	SHIM 12X26X0,15	1
54	46810519	SHIM 12X28X0,15	1
54	46810637	BACKPLATE 12X17X0,30	1
56	46810492	SHIM 12X28X0,20	1
56	46810493	SHIM 12X30X0,20	1
56	46810494	SHIM 12X32X0,20	1
56	46810520	SHIM 12X30X0,15	1
56	46810521	SHIM 12X32X0,15	1
56	46810522	SHIM 12X34X0,15	1
56	46810523	SHIM 12X36X0,15	1
56	46810524	SHIM 12X38X0,15	1
56	46810525	SHIM 12X40X0,15	7
56	46810637	BACKPLATE 12X17X0,30	1
57	46180179	REBOUND DISC H=0	x
57	46180337	REBOUND DISC H=4	1
58	46180441	PISTON 5X4,5X/6X6	1
60	46180343	TAP PISTON ROD D=13,5	1
61	46180342	SPINDEL D=18 LC=159	1
62	50180397	O-RING VITON 5X1,5	1
64	46180346	NEEDLE REBOUND L=169	1
65	46180018	O-RING NBR 7,5X2	1
66	46180350	NEEDLE GUIDE	1
72	46180341S	ADAPTOR CPL. D=46 H=28 D=38	1
76	46180355	RESERVOIR CAP M16X1	1
77	46180013	O-RING NBR 12X1	1

05470041 / C064700401

* NEW PART

X AS REQUIRED

MONOSHOCK DISASSEMBLED

85 SX 19/16 2007

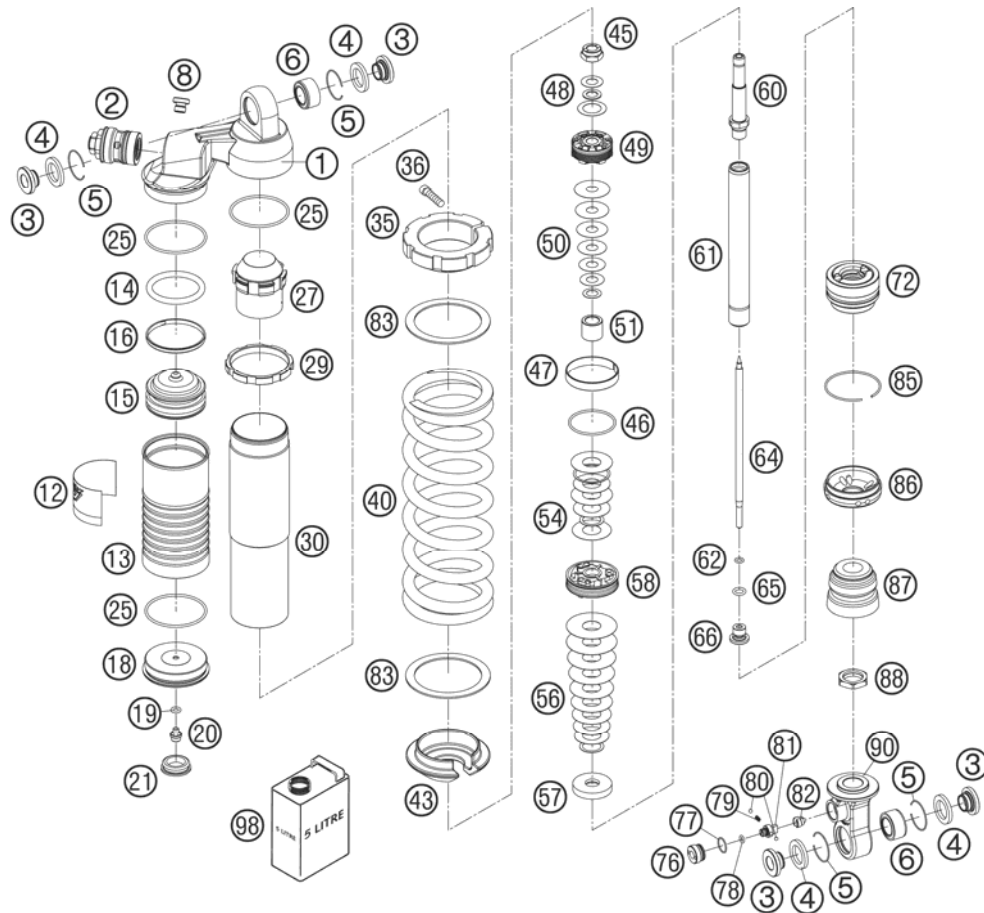


FIG	PART NUMBER	DESCRIPTION	QTY
78	50180222	O-RING NBR 4X1,5	1
79	48600028	SPRING D=2,9 L=7,9	1
80	40540603	STEEL BALL D=3MM	2
81	46180006	ADJUSTING SCREW L=15,5	1
82	46180016	ADJUSTING ADAPTOR REBOUND	1
83	50180410	INTERM.RING D=58	2
85	46810010	CIRCLIP 49X1,5	1
86	46180338	CAP D=46 H=9,5	1
87	50180276	BUMP RUBBER WP60 D=18-26	1
88	50180283	CONTRA NUT M18X1 H=5	1
90	46180347	SHOCK ABSORBER BOT. KGW L=54,5	1
98	50180466S1	SHOCK ABSORBER FLUID 5 LT 05	1

05470041 / C064700401

* NEW PART

X AS REQUIRED

SWINGARM, MONOSHOCK

85 SX 19/16 2007

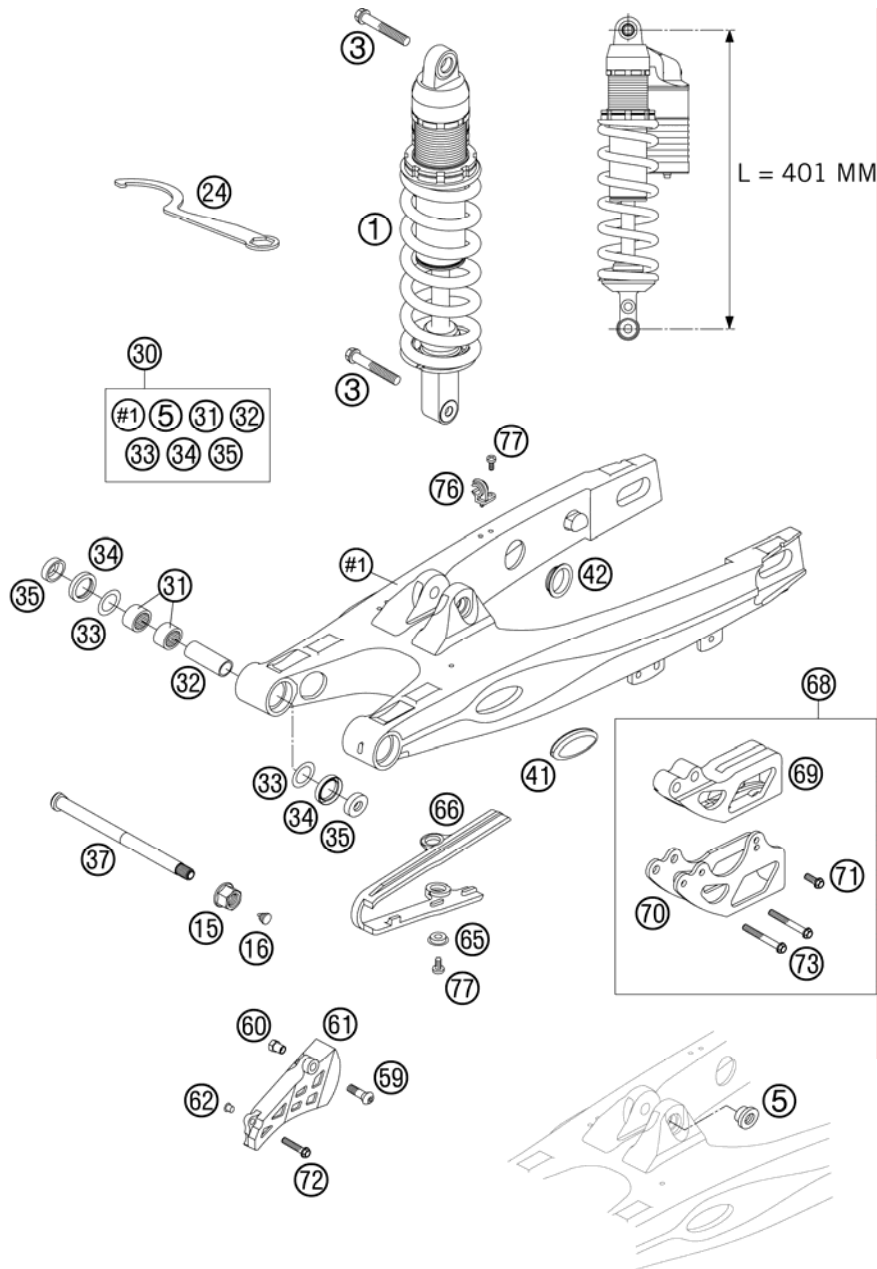


FIG	PART NUMBER	DESCRIPTION	QTY
1*	15187C02	MONOSHOCK 85/105 SX 07	1
3	0015120556S	HH COLLAR M12X55 WS=13 06	2
5	50180105	THREADED BUSH M12 PDS	1
15	54603015000	SELF LOCKING NUT M14X1,5 WS=19	1
16	54403135000	PLASTIC CAP SFL10	1
24	46012024000	HOOK WRENCH FOR SHOCK ABSORBER	1
30	47004030144	SWINGARM 85SX CPL. 2004	1
31	59004031000	NEEDLE BUSH HK2012V	4
32	50203081700	BUSHING SLEEVE 15X20X38,75	2
33	59033080000	SHIM 20X32X1	2
34	0760253270	SHAFT SEAL RING 25X32X7	4
35	54603090000	BUCKET F.SHAFTSEALRING 15X25X9	4
37	47004037000	SWINGARM BOLT 85 SX 2003	1
41	58404041000	CLOSING COVER SWINGARM SM 03	2
42	58404041100	CLOSING COVER ROUND 03	4
59	54510052100	SPROCKET SCREW-AH M8X26 WS=6	1
60	47030060051	THREADED BUSH FOR CHAIN GUARD	1
61	47007061000	CHAIN GUARD 85 SX 2003	1
62	58314060050	SPACER BUSH. F. SPEEDOMET.BRA.	1
65	72210079000	BUCKET	2
66	58404066000	CHAIN SLIDING GUARD SM 03	1
68*	54607069000	CHAIN GUIDE REAR CPL.	x
69	54607066100	CHAIN GUIDE REAR '94	1
70	54607070144	RETAINING PLATE CPL.	1
71	0015060163	HH COLLAR SCREW M 6X16 WS=8	1
72	0015060303	HH COLLAR SCREW M 6X30 WS=8	1
73	0015060503	HH COLLAR SCREW M 6X50 WS=8	2
76	54611076100	RETAIN.CLAMP FOR BRAKE HOSE'96	2
77	0009050103	SPECIAL SCREW M 5,0X10	4

074700400 / C074700400

* NEW PART

X AS REQUIRED

EXHAUST SYSTEM

85 SX 19/16 2007

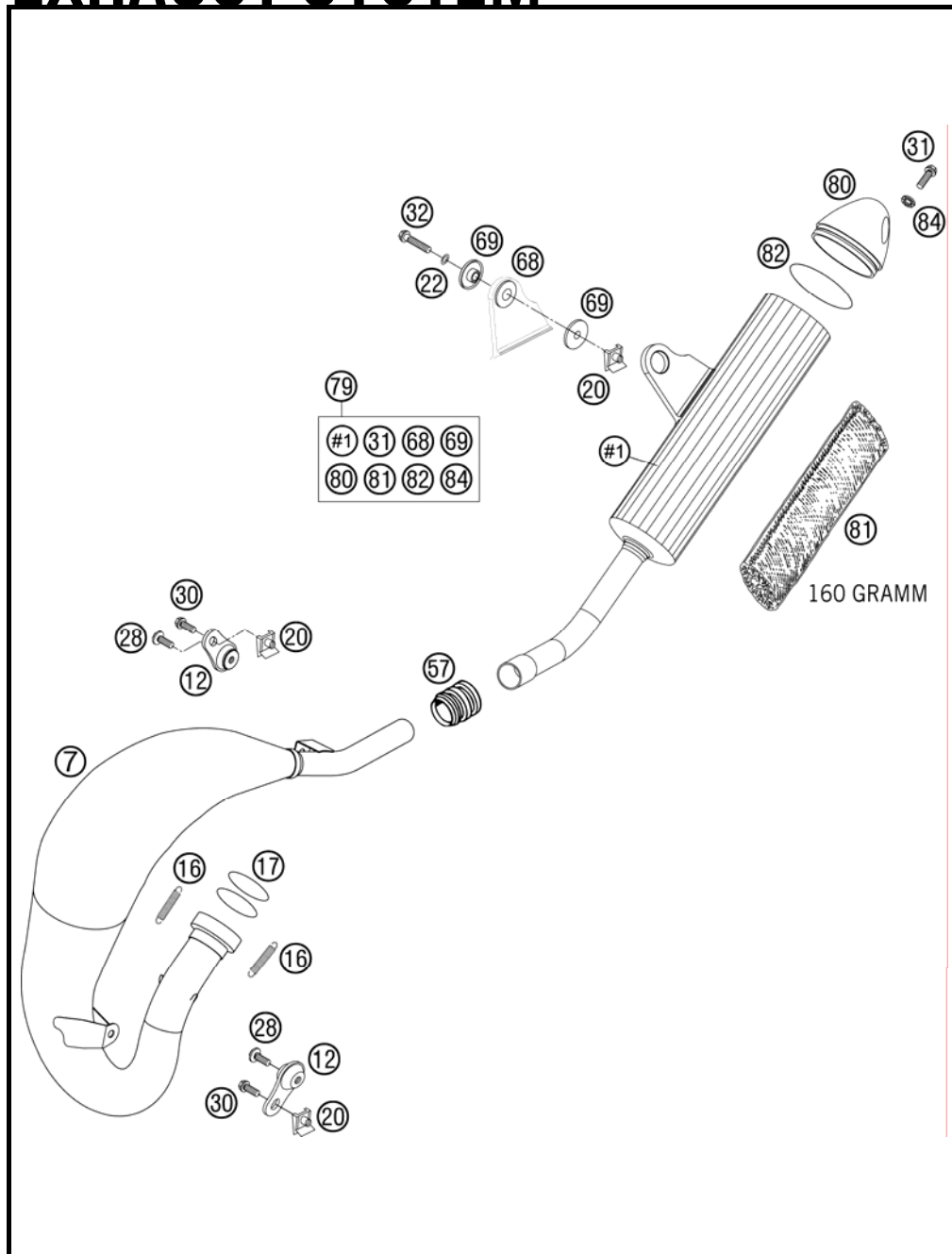


FIG	PART NUMBER	DESCRIPTION	QTY
7*	47005007100	EXHAUST PIPE 85 SX 07	1
12	50305012000	SWINGELEMENT FOR EXHAUST PIPE	2
16	50305016000	TEN.SPRING L=62MM EY.MOVEABLE	2
17	0770380030	O-RING 38,00X3,00 VITON	2
20	54603048100	RANGE CHANGE METAL NUT M6	3
22	0137060003	SPRING WASHER DIN0137-B 6	1
28	0014060103	HH COLLAR SCREW M 6X10 WS=8	2
30	0015060163	HH COLLAR SCREW M 6X16 WS=8	2
31	0015060203	HH COLLAR SCREW M 6X20 WS=8	2
32	0015060303	HH COLLAR SCREW M 6X30 WS=8	1
57	54605057000	RUBBER SLEEVE D=21MM/23MM '93	1
68	54605068000	EXHAUST BRACKET RUBBER BLACK	1
69	54605069000	BUSHING 7,5X12X28X7,8 '96	2
79	47005079100	SILENCER 85 SX 06	1
80	50305079169	SILENCER ENDCAP SX REAR	1
81	50305079160	STUFFING YARN 160 GRAMM	1
82	0770055020	O-RING 55,00X2,00 NBR70	2
84	50233041000	PAIR OF WASHERS M 6 NORDLOCK	2

064700500 / C074700500

* NEW PART

X AS REQUIRED

AIR FILTER BOX

85 SX 19/16 2007

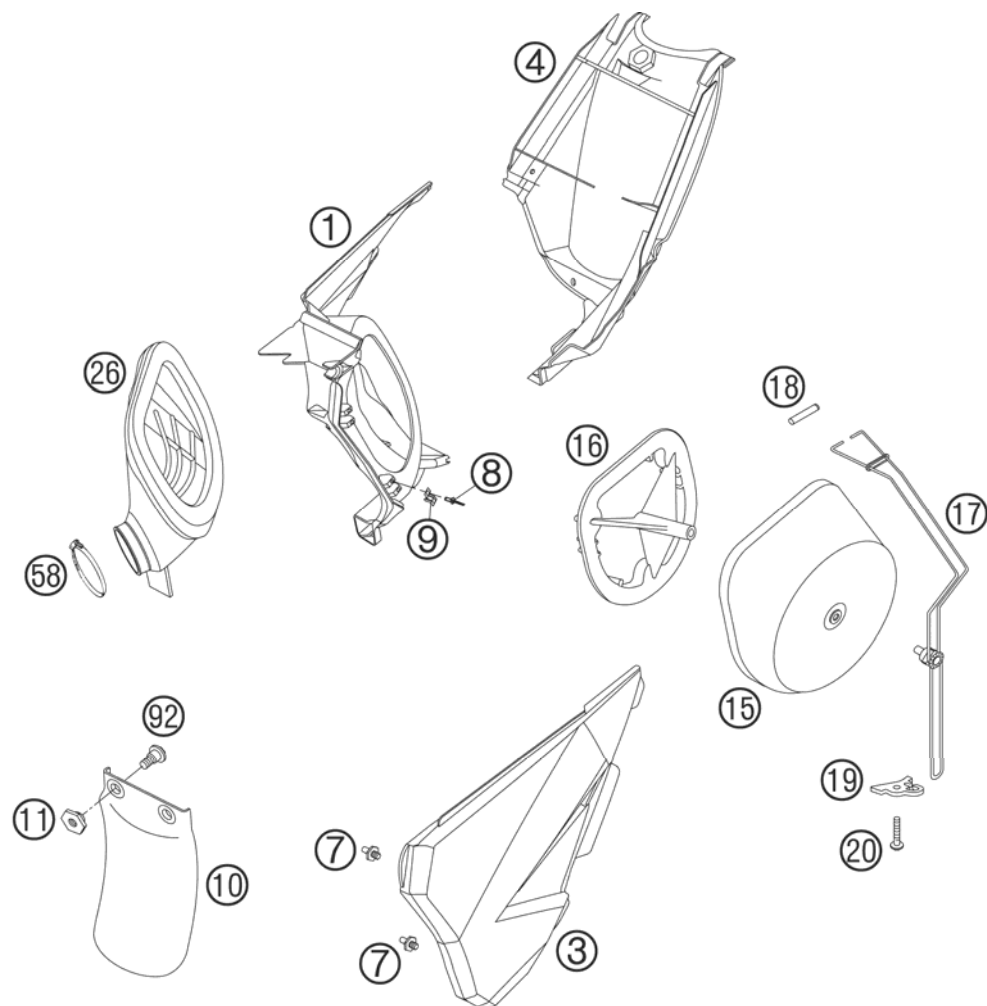


FIG	PART NUMBER	DESCRIPTION	QTY
1	47006001051	FILTER WALL 85 SX 2003	1
3	47006003000	FILTER BOX COVER 85 SX 2003	1
4	47006001052	REAR PART FILTER BOX 85 SX 03	1
7	54806008051	QUICK RELEASE-NIPPLE 03	2
8	54806008052	RIVET 3,2MM ALU 03	4
9	54806008050	QUICK RELEASE-SPRING HANGER	2
10	46006010000	SPLASH PROTECTOR 60/65 SX '98	1
11	47006010050	SCREW CONNECTION SPLASH SHIELD	2
15	59006015000	AIR FILTER RACING 2001	1
16	54806016000	FILTER CARRIER 2-STROKE 04	1
17	50306017000	FILTER SUPPORT CPL.2-STROKE'98	1
18	50306018000	FILTER SUPPORT BUSH 125-380'98	1
19	47006019000	FASTEN. DEVICE FILTER SUPPORT	1
20	0017060303	SPECIAL SCREW T60 6X30 WS=6	1
26	47006026000	CARB. CONNECTING BOOT 85 SX 03	1
58	46005058000	HOSE CLAMP 40-60MM	1
92	59001092050	SPECIAL SCREW M6X12,5 WS=8	2

05470060 / C064700600

* NEW PART

X AS REQUIRED

TANK, SEAT, COVER

85 SX 19/16 2007

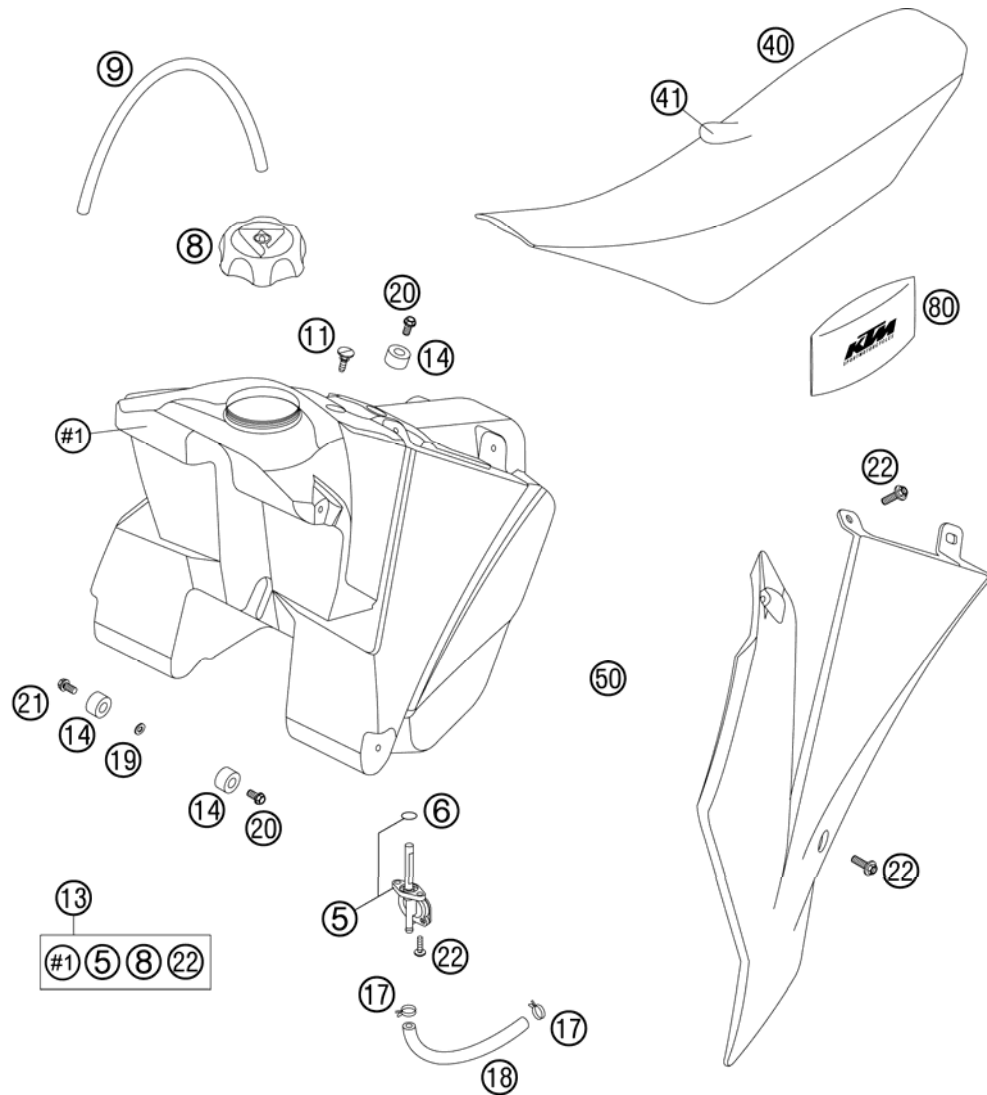


FIG	PART NUMBER	DESCRIPTION	QTY
5	50307005000	GAS COCK MIKUNI ON/OFF 2001	1
6	0770130023	O-RING 13,00X2,30	1
8	49007008044	FILLER CAP CPL. SMALL	1
9	50332095200	TUBE RUBBER 6X9 DVOH 200MM	1
11	50307011000	SCREW SEAT FASTENING D=6X23/18	1
13*	4700701300030	FUEL TANK 85 SX 07	1
14	50307014000	TANK ROLLER 12X26X12 '98	3
17	45031005000	YDNAC-CLAMP FUEL HOSE (8MM)	2
18	58307016001	FUEL HOSE VITON 6X1,5 PER/M	x
19	12011016000	WASHER 6 X 12 X 3	1
20	0015060123	HH COLLAR SCREW M 6X12 WS=8	2
21	0015060163	HH COLLAR SCREW M 6X16 WS=8	1
22	0017060203	EJOT PT SCREW K60X20 WS=6	10
40	47007040100	SEAT 85 SX 2005	1
41	47007040150	SEAT COVER 85 SX 2005	1
50	4700805030004	SPOILER L/S 85 SX 06	1
50	4700805130004	SPOILER R/S 85 SX 06	1
80*	54829099000	ORIGINAL EQUIPMENT TOOL KIT	1

064700700 / C074700700

* NEW PART

X AS REQUIRED

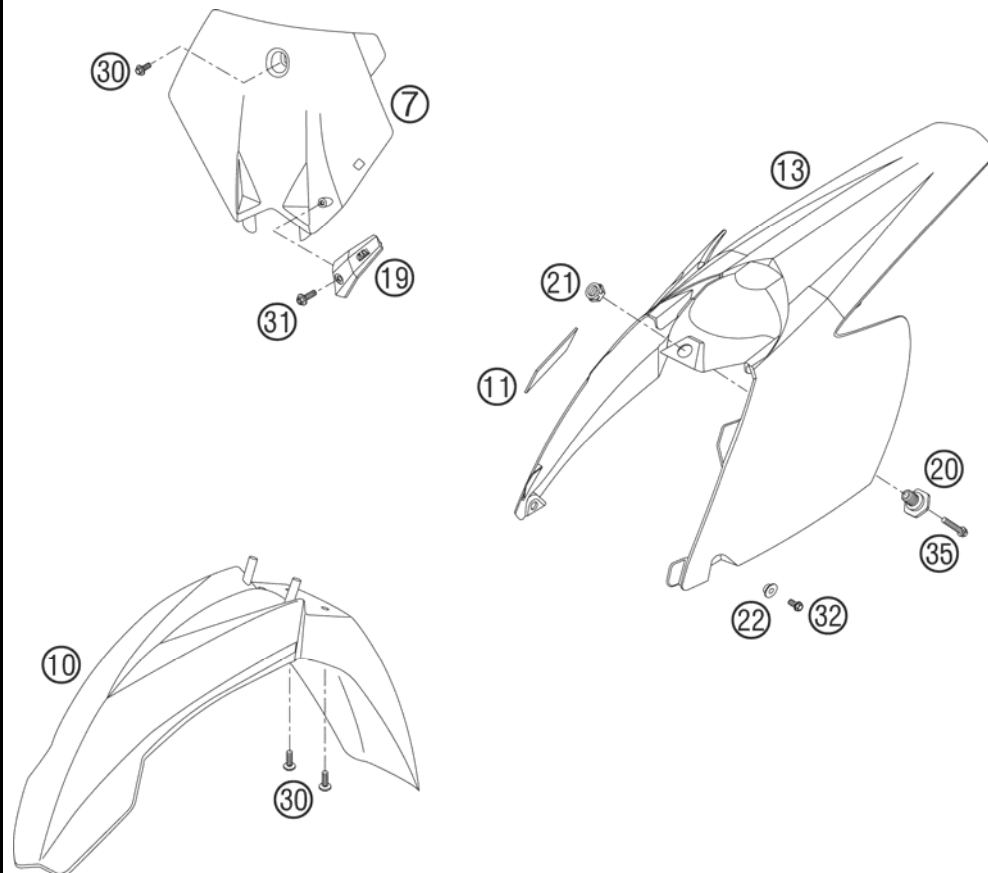


FIG	PART NUMBER	DESCRIPTION	QTY
7	4700800700004	NUMBER PLATE 85 SX 2003	1
10	4700801000004	FENDER FRONT 85 SX 2003	1
11	59003001099	METAMOLL 90X45X3MM 03	1
13	4700801300004	REAR PART 85 SX 2003	1
19	54808019000	BRAKE HOSE GUIDE BLACK 03	1
20	54807048000	BUSHING FOR SEAT FASTENING 03	1
21	50314057050	COLLAR NUT M12X1/WS17 H=5MM	1
22	50308052000	BUSH FOR SPOILER 6X11X16X5 MM	2
30	0014060153	HH COLLAR SCREW M 6X15 WS=8	5
31	0017060203	EJOT PT SCREW K60X20 WS=6	1
32	0015060163	HH COLLAR SCREW M 6X16 WS=8	2
35	0015060253	HH COLLAR SCREW M 6X25 WS=8	1

05470080 / C064700800

* NEW PART

X AS REQUIRED

FIG	PART NUMBER	DESCRIPTION	QTY
1*	47008099500	DECAL SET 85 SX 07	1

①



074700801 / C074700801

* NEW PART

X AS REQUIRED

FRONT WHEEL

85 SX 19/16 2007

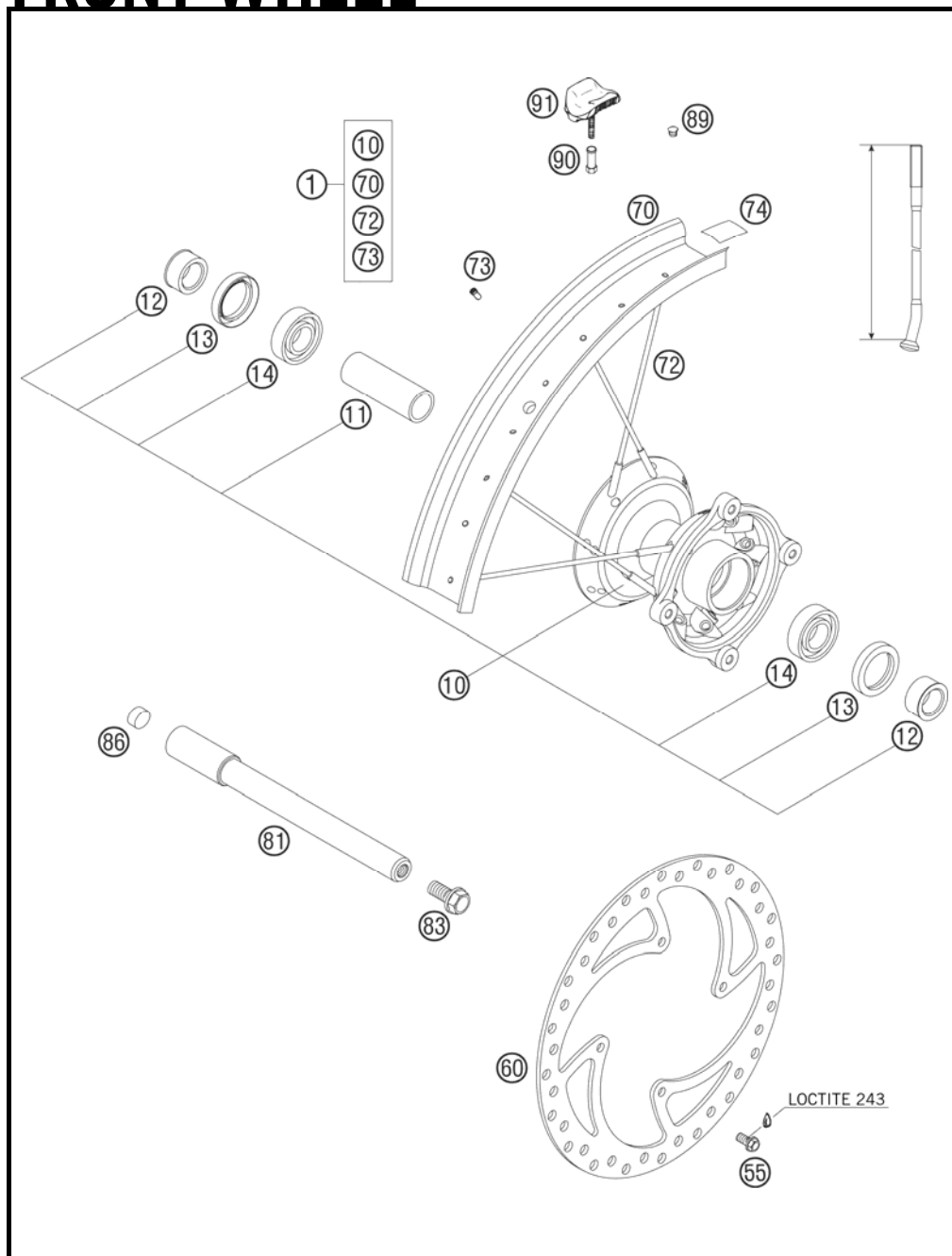


FIG	PART NUMBER	DESCRIPTION	QTY
1	47009001344	FRONT WHEEL ET 85 SX 19" 06	1
10	4700901004491	FRONT WHEEL HUB CPL. 85 SX 06	1
11	47009011000	BEARING SPACER TUBE 85 SX 03	1
12	47009012000	SPACER BUSHING 85 SX 03	2
13	0760253572	SEAL SHAFT RING 25X35X7 BSL	2
14	0625060037	GR.BALL BEAR. 6003-2RSH/C3HMTF	2
55	59009062013	SPECIAL SCREW M6X13 WS=8 10.9	4
60	47009060000	BRAKE DISC FRONT D=220MM 03	1
70	47009070100	RIM FRONT AL4 19X1,60-32 03	1
72	47009072210	SPOKE FRONT 19" 4/3,5/4-210 03	32
73	50309072000	SPOKE NIPPLE M4,5X0,75 8X21	32
74	47009073100	RIM BAND 85 SX 19" 2003	1
81	47009081000	AXLE FRONT 85 SX 03	1
83	49032011000	HH COLLAR SCREW M10X20 WS=17	1
86	55009086000	PLUG SFL13	1
89	55003135000	PLUG FOR RIM	x
90	50310090050	NUT FOR WHEEL HOLDER '96	x
91	51009100100	RIM LOCK VM1 (1,60") ONLY FOR 19" WHEEL	x

05470090 / C064700901

* NEW PART

X AS REQUIRED

REAR WHEEL

85 SX 19/16 2007

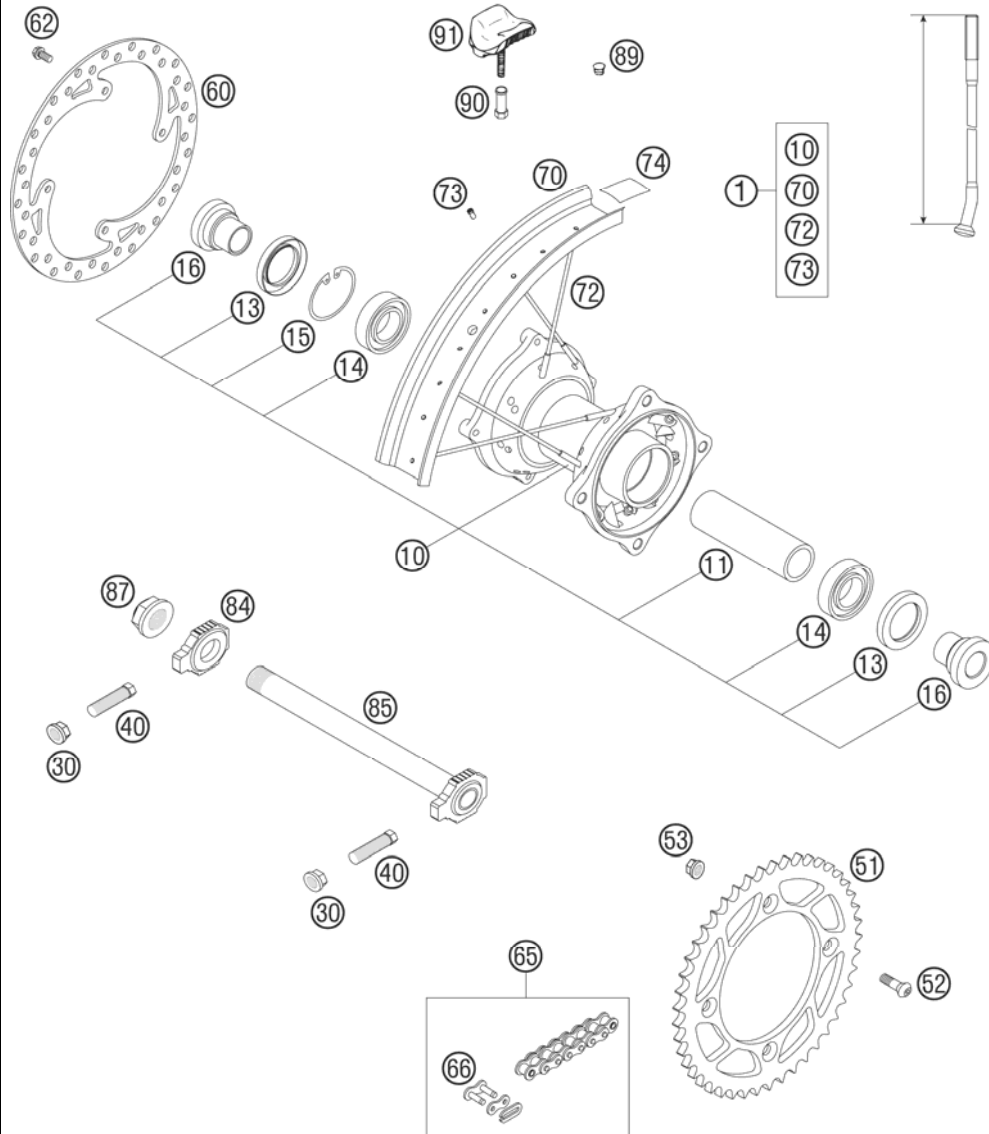


FIG	PART NUMBER	DESCRIPTION	QTY
1	47010001544	REAR WHEEL SP 85 SX 16" 06	1
10	4701001004491	REAR WHEEL HUB CPL. 85 SX 06	1
11	47010011000	BEARING SPACER TUBE 85 SX 03	1
13	0760324771	SHAFT SEAL RING 32X47X7 BSL	2
14	0625060058	GR.BALL BEAR.6005 DDU2CG23S6NM	2
15	0472047175	CIRCLIP DIN0472-47X1,75	1
16	54610016000	BUSHING FOR HUB	2
30	58414030000	HH COLLAR NUT M10X1,25 WS=13	2
40	50304040100	SCREW M10X1,25X50 WS=10	2
51	47010051044	REAR SPROCKET 44-T 85 SX 03	x
51	47010051045	REAR SPROCKET 45-T 85 SX 03	x
51	47010051046	REAR SPROCKET 46-T 85 SX 03	x
51	47010051047	REAR SPROCKET 47-T 85 SX 03	x
51	47010051048	REAR SPROCKET 48-T 85 SX 03	x
51	47010051049	REAR SPROCKET 49-T 85 SX 03	x
51	47010051050	REAR SPROCKET 50-T 85 SX 03	x
51	47010051051	REAR SPROCKET 51-T 85 SX 06	1
52	54510052100	SPROCKET SCREW-AH M8X26 WS=6	4
53	54310086200	SELF LOCKING NUT M8 10.9	4
60	47010060200	BRAKE DISC REAR D=200MM 06	1
62	59009062016	SPECIAL SCREW M6X16 WS=8 10.9	4
65	47010165124	CHAIN 124 ROLLS 85 SX	1
66	47010166000	MASTER LINK 85 SX	1
70	47010070200	RIM REAR AL4 16X1,85-32 03	1
72	47010072171	SPOKE REAR 16" 4/3,5/4-171 03	32
73	50309072000	SPOKE NIPPLE M4,5X0,75 8X21	32
74	47010073200	RIM BAND 85 SX 16" 2003	1
84	50310084000	CHAIN TENSIONER R/S 2000	1
85	47010085044	AXLE REAR CPL. 85 SX 2003	1
87	50310099000	HEXAGON NUT M20X1,5 '98	1
89	55003135000	PLUG FOR RIM	x
90	50310090050	NUT FOR WHEEL HOLDER '96	1
91	51010100100	RIM LOCK VM2 (1,85") MX FOR 16"	1

05470100 / C064701001

* NEW PART

X AS REQUIRED

HAND BRAKE CYLINDER

85 SX 19/16 2007

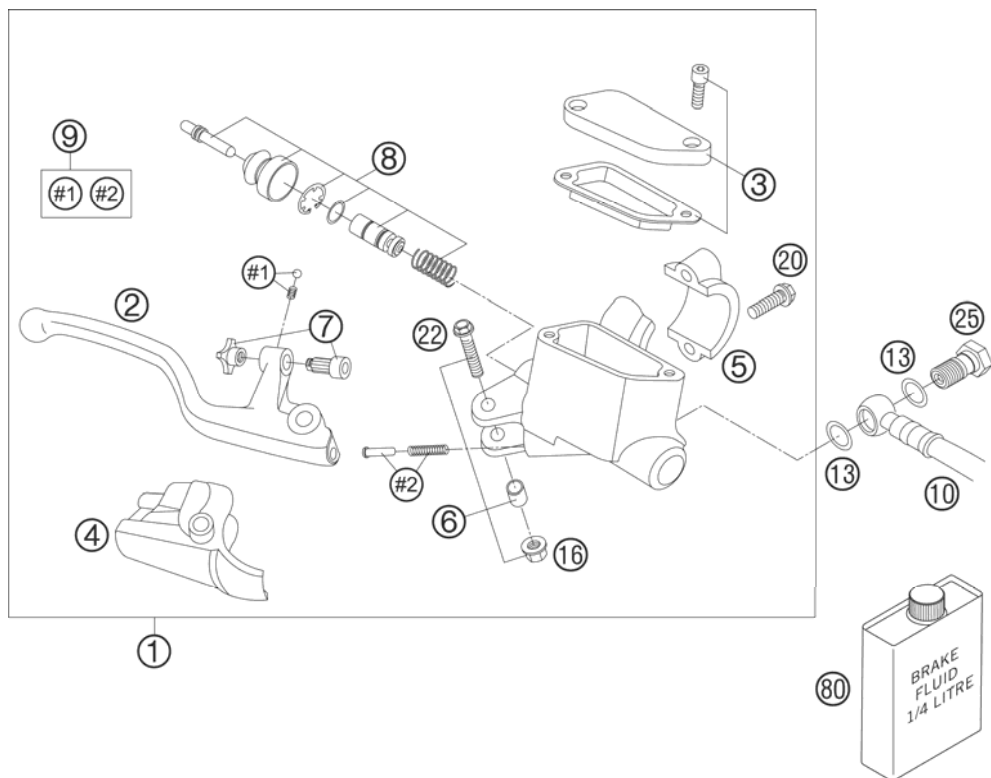


FIG	PART NUMBER	DESCRIPTION	QTY
1	47013001100	H. BRAKE CYL. CPL.85 SX 05	1
2	47013002000	BRAKE LEVER LOOSE 85 SX 2003	1
3	47013003000	CYLINDER COVER CPL. FRONT 2003	1
4	47013004000	PROTECTION COVER 85 SX 2003	1
5	47013005000	CLAMP FOR BRAKE CYLINDER 2003	1
6	47013006000	SCREW+BUSHING+NUT 03	1
7	47013007000	ADJUSTING SCREW CPL. 85 SX 03	1
8	47013008100	REP.SET PISTON FRONT D=9,5MM	1
9	47013009000	BALL+SPRING+SPRING GUIDE 03	1
10	47013010000	BRAKE HOSE FRONT 85 SX 03	1
13	0770080019	O-RING 8,00X1,00 EPDM	2
16	56509064100	SELF LOCKING NUT M6 10.9	1
20	0015060203	HH COLLAR SCREW M 6X20 WS=8	2
22	0015060303	HH COLLAR SCREW M 6X30 WS=8	1
25	47013025000	HOLLOW SCREW BRAKE CYLINDER 03	1
80	306054	BRAKE FLUID DOT 4.0	1

05461130 / C064701300

* NEW PART

X AS REQUIRED

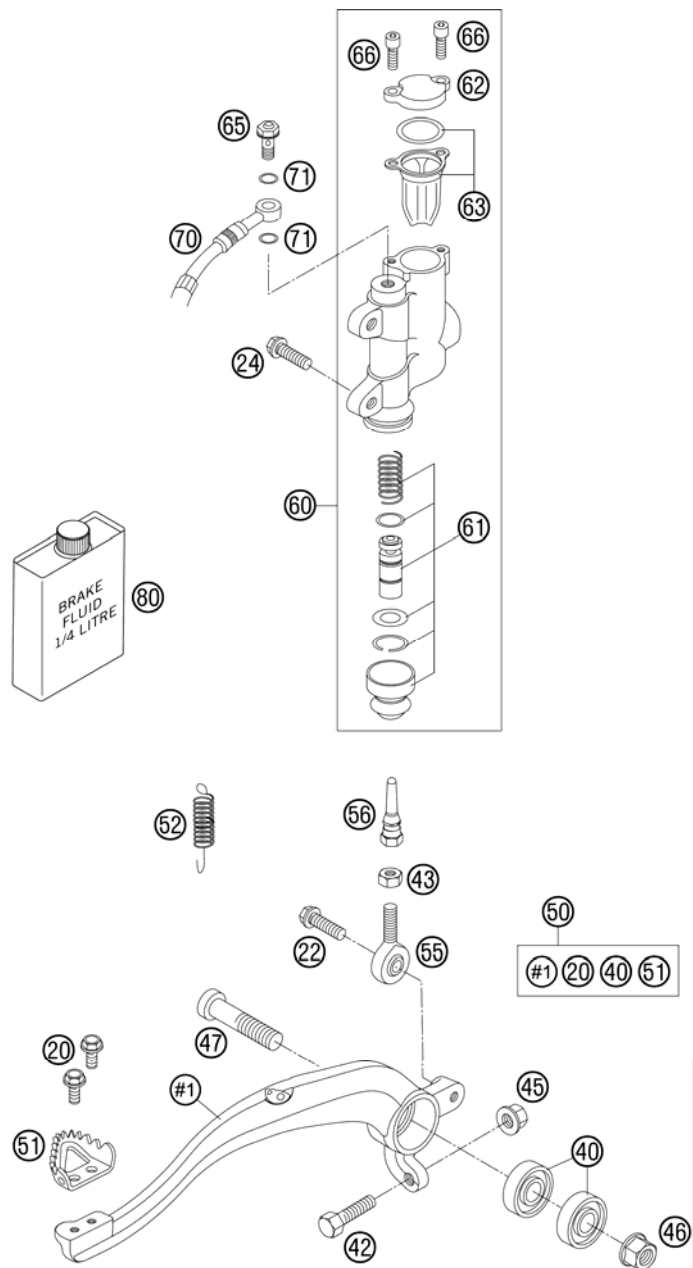


FIG	PART NUMBER	DESCRIPTION	QTY
20	0015050123	HH COLLAR SCREW M 5X12 WS=8	2
22	0015060203	HH COLLAR SCREW M 6X20 WS=8	1
24	0015060123	HH COLLAR SCREW M 6X12 WS=8	2
40	0625060002	BALL BEARING SKF 6000-2RS1	2
42	59001037000	SPECIAL SCREW M8X26 WS=10	1
43	0934060003	HEXAGON NUT DIN0934-M 6	1
45	46030045000	COLLAR NUT M8 WS=10	1
46	54630044000	COLLAR NUT M10 WS=13	1
47	0912100406	AH SCREW DIN6912 M10X40 10.9	1
50	47013050044	FOOT BRAKE LEVER CPL. 85 SX 03	1
51	54813051000	STEP PLATE FOR BRAKE LEVER	1
52	54603062000	RETURN SPRING FOR BRAKE LEVER	1
55	54813055000	SWIVEL HEAD KA6 03	1
56	47013056100	PRESSURE ROD 85 SX 06	1
60	47013060200	FOOT BRAKE CYL.R. CPL. D=11 05	1
60	47013060300	FOOT BRAKE CYL.R. CPL. D=12 05	x
61	47013061000	REP. SET PISTON REAR D=11 2003	1
61	47013061100	REP. SET PISTON REAR D=12 2004	x
62	47013062000	CYLINDER COVER REAR 85 SX 03	1
63	47013063000	GASKET CYLINDER COVER REAR 03	1
65	47013025000	HOLLOW SCREW BRAKE CYLINDER 03	1
66	0912040103	AH.SCREW DIN0912-M 4X10	2
70	47013070000	BRAKE HOSE REAR 85 SX 03	1
71	0770080019	O-RING 8,00X1,00 EPDM	2
80	306054	BRAKE FLUID DOT 4.0	1

064701301 / C064701301

* NEW PART

X AS REQUIRED

BRAKE CALIPER FRONT

85 SX 19/16 2007

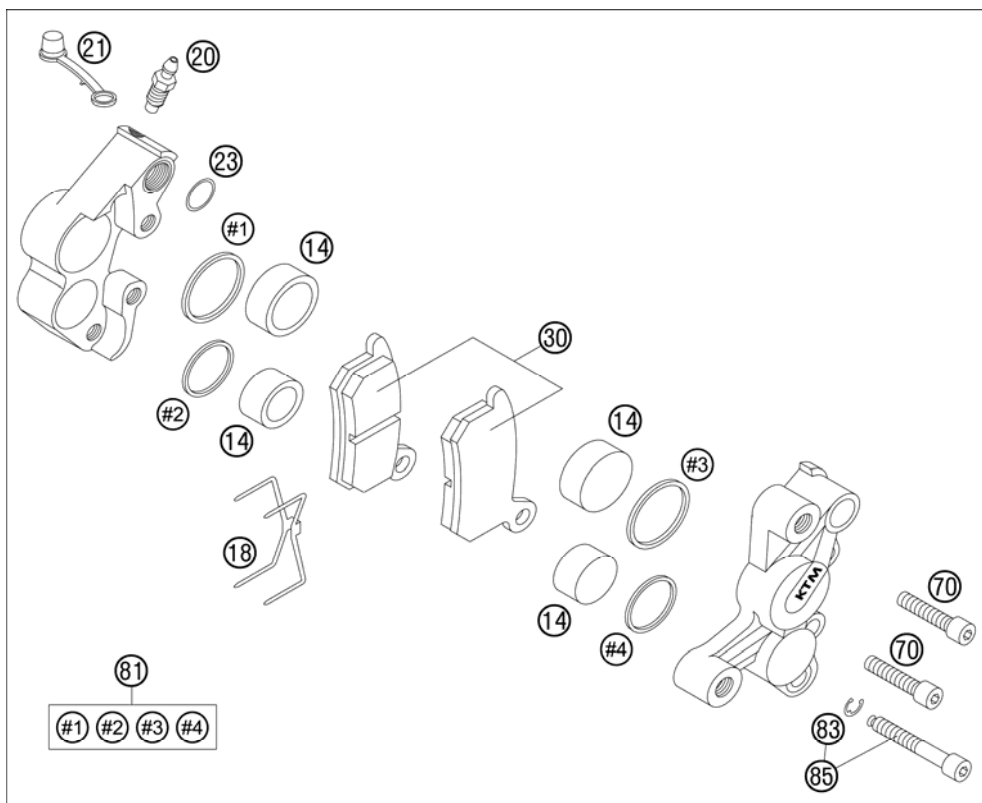
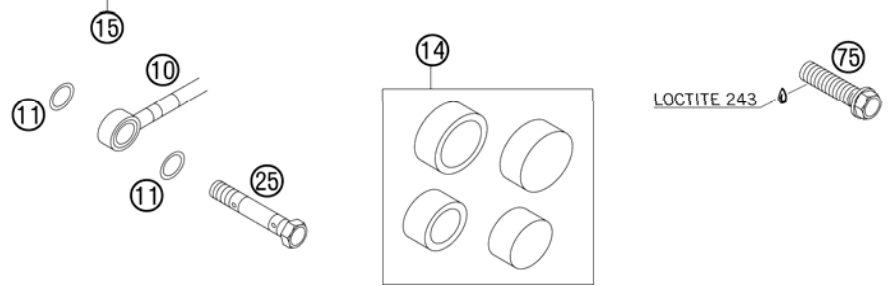


FIG	PART NUMBER	DESCRIPTION	QTY
10	47013010000	BRAKE HOSE FRONT 85 SX 03	1
11	0770080019	O-RING 8,00X1,00 EPDM	2
14	46113019050	REPAIR KIT BRAKEPISTON	1
15	47013015000	BRAKE CALIPER FR. CPL.85 SX 03	1
18	46113018000	RETAINING SPRING 65 SX	1
20	47013020000	BLEEDER SCREW M6	1
21	47013021000	CAP FOR BLEEDER SCREW	1
23	0770100019	O-RING 10X1 EPDM	1
25	47013125000	HOLLOW SCREW M8X38,8	1
30	46113030000	BRAKE PAD SET FRONT 2002	1
70	0912060283	AH SCREW DIN0912-M 6X28	2
75	0015080303	HH COLLAR SCREW M 8X30 WS=10	2
81	46113019000	REPAIR KIT SEAL RING 2002	1
83	0799040009	TAB WASHER DIN6799-RA 4,0	1
85	46113125000	AH SCREW + CIRCLIP 2002	1



064701302 / C064701302

* NEW PART

X AS REQUIRED

BRAKE CALIPER REAR

85 SX 19/16 2007

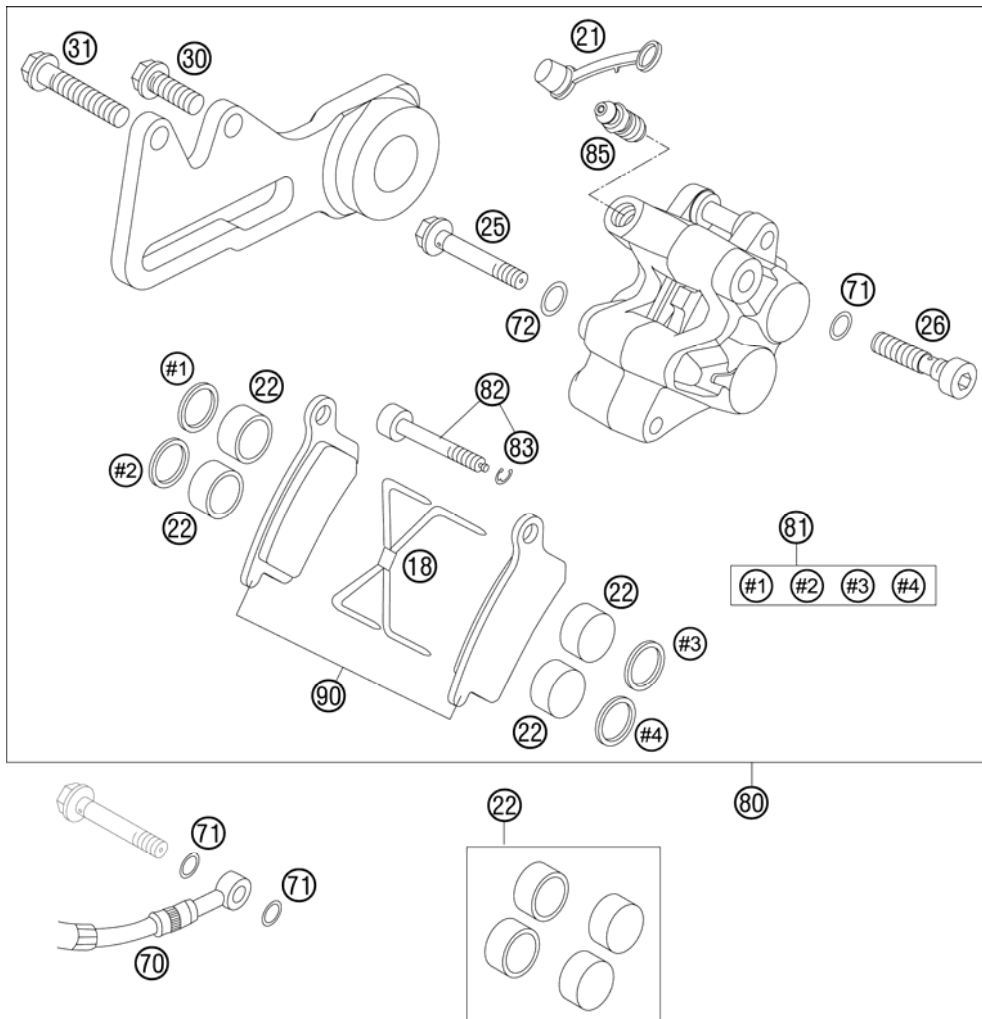
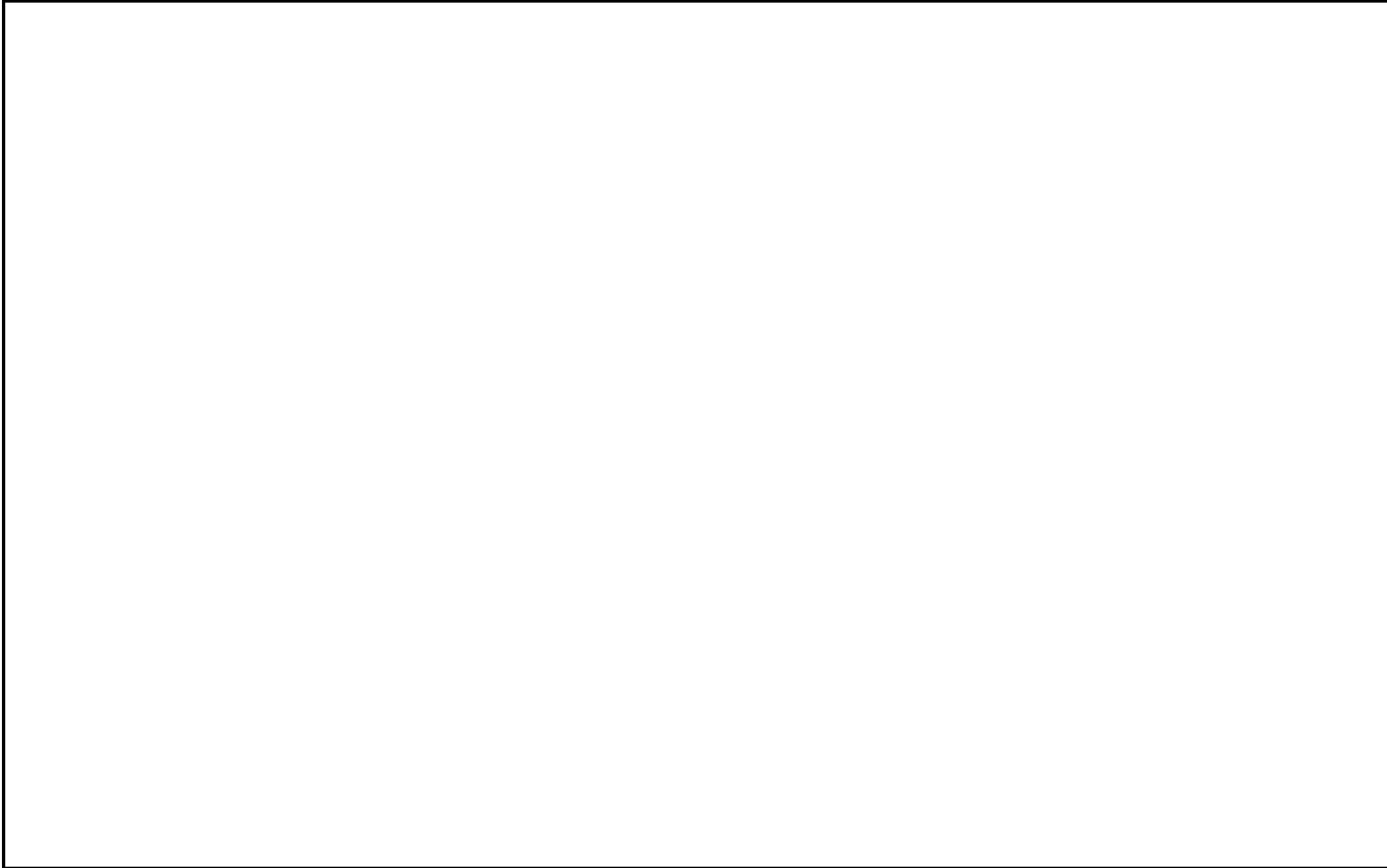


FIG	PART NUMBER	DESCRIPTION	QTY
18	46113018000	RETAINING SPRING 65 SX	1
21	47013021000	CAP FOR BLEEDER SCREW	1
22	47013083100	REPAIR KIT BRAKEPISTON	1
25	47013225000	HOLLOW SCREW REAR 85 SX 2003	1
26	47013325000	HOLLOW SCREW REAR 85 SX 2003	1
30	0015080203	HH COLLAR SCREW M 8X20 WS=10	1
31	0015080403	HH COLLAR SCREW M 8X40 WS=10	1
70	47013070000	BRAKE HOSE REAR 85 SX 03	1
71	0770080019	O-RING 8,00X1,00 EPDM	3
72	0770100019	O-RING 10X1 EPDM	2
80	47013080100	BRAKE CALIPER RE. CPL. 85SX 06	1
81	47013081000	REPAIR KIT SEAL RING REAR 03	1
82	47013425000	AH SCREW + CIRCLIP 85/105	1
83	0799040009	TAB WASHER DIN6799-RA 4,0	1
85	47013085000	BLEEDER SCREW M8X1	1
90	47013090100	BRAKE PAD SET REAR 2004	1

064701303 / C064701303

* NEW PART

X AS REQUIRED





KTM-Sportmotorcycle AG
A-5230 Mattighofen
www.ktm.at

KTM Group Partner



3CF6001G9EN



Art.Nr.: 3CF6001G9EN 4/2006