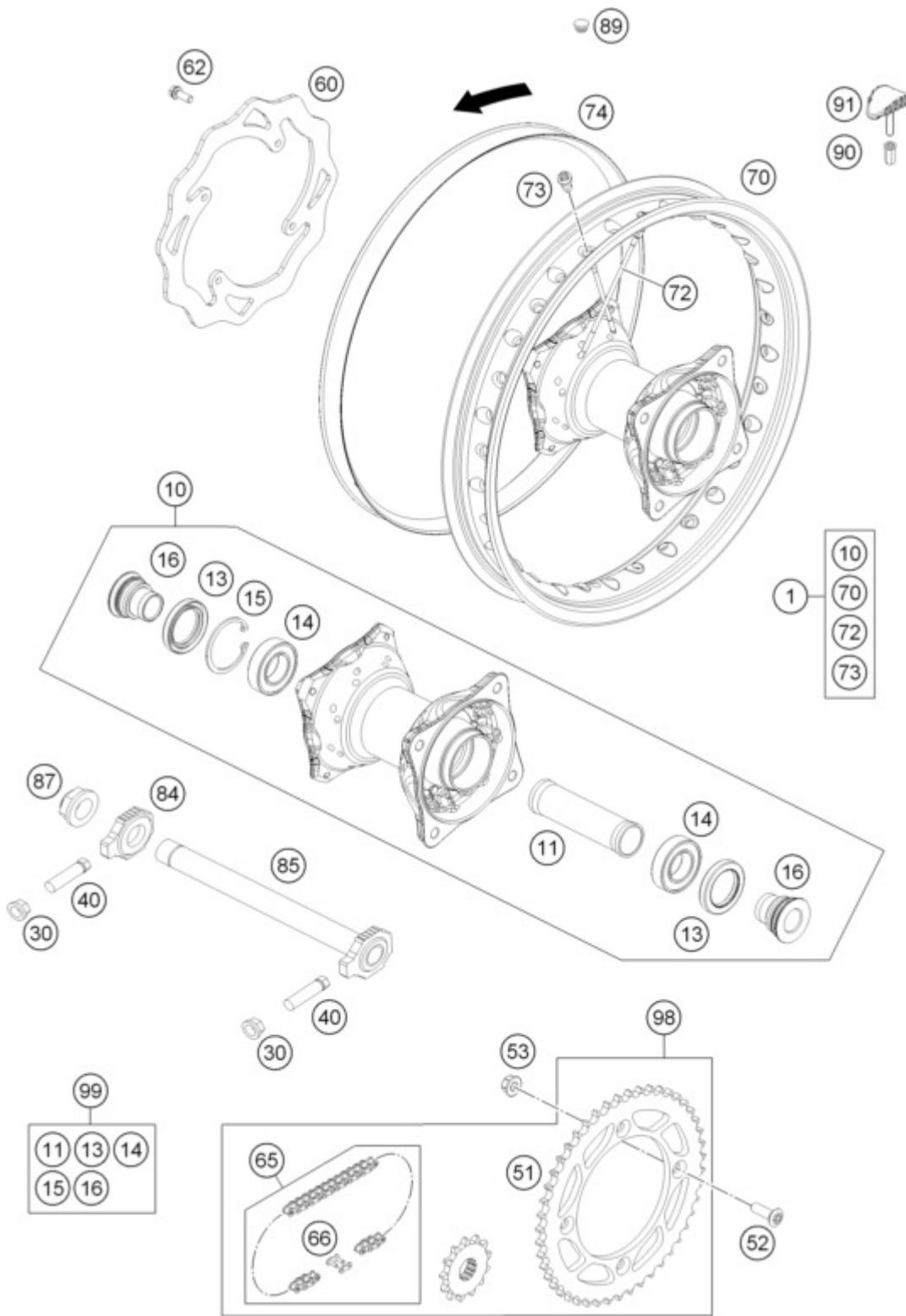




2014 / TC 85 17/14 HQV

REAR WHEEL

C144711012



Position	Part number	Description	Qty
1	2351000104430	REAR WHEEL CPL. 14	1
10	70010010044	REAR WHEEL HUB CPL. 12	1
11	70010011000	BEAR.SPACER TUBE '12	1
13	0760324771	SHAFT SEAL RING 32X47X7 BSL	2
14	0625060058	GR.BALL BEAR.6005 DDU2CG23S6NM	2
15	0472047175	CIRCLIP DIN0472-47X1,75	1

16	78010016000	BUSHING FOR HUB 08	2
30	58414030000	HH COLLAR NUT M10X1,25 WS=13	2
40	50304040100	SCREW M10X1,25X50 WS=10	2
51	47010051044	REAR SPROCKET 44-T 85 SX 03	0
51	47010051045	REAR SPROCKET 45-T 85 SX 03	0
51	47010051046	REAR SPROCKET 46-T 85 SX 03	1
51	47010051047	REAR SPROCKET 47-T 85 SX 03	0
51	47010051048	REAR SPROCKET 48-T 85 SX 03	0
51	47010051049	REAR SPROCKET 49-T 85 SX 03	0
51	47010051050	REAR SPROCKET 50-T 85 SX 03	0
51	47010051051	REAR SPROCKET 51-T 85 SX 06	0
52	00190802665	COUNTER-SUNK SCREW ISA45 M8X26	4
53	06923080003	HEXAGON NUT DIN EN1661 M8 SW13	4
60	47010060500	REAR BRAKE DISC	1
62	59009062016	SPECIAL SCREW M6X16 WS=8 10.9	4
65	47010165124	CHAIN 124 ROLLS 85 SX	1
66	47010166000	CONNECTING LINK 85 SX	1
70	2351007000030	RIM REAR AL4 14X1,60-32	1
72	47110071147	SPOKE M4,5X147-14"	32
73	77109072000	SPOKE NIPPLE M4,5 AL 11	32
74	47010073000	RIM BAND 85 SX 14" 2003	1
84	50310084000	CHAIN TENSIONER R/S 2000	1
85	47010085044	AXLE REAR CPL. 85 SX 2003	1
87	50310099000	HEXAGON NUT M20X1,5 '98	1
89	55003135000	PLUG FOR RIM	0
90	77110090050	NUT FOR WHEEL HOLDER	1
91	78109090000	RIM LOCK 1,60"	1
98	00050002002	DRIVETRAIN KIT 85 SX 14T/46T	1
99	70010015000	REAR WHEEL REP. KIT	0