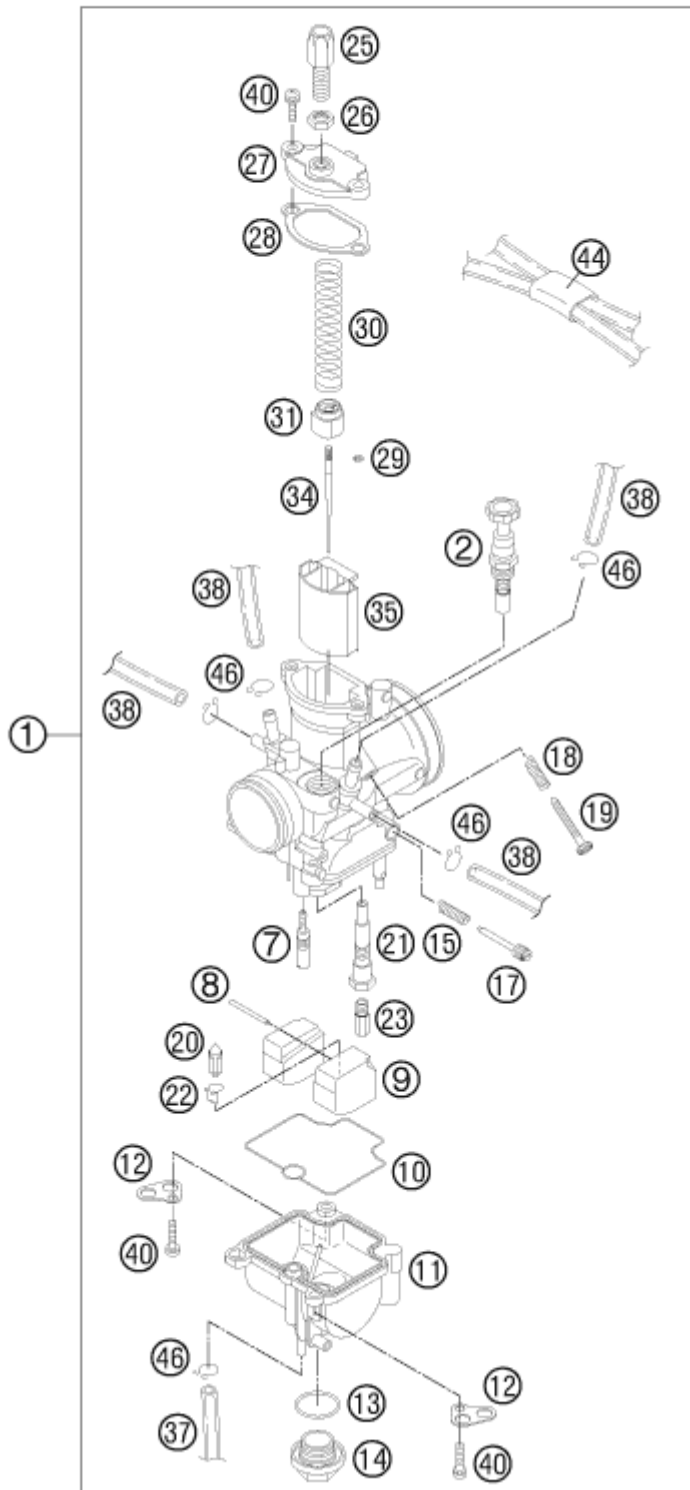


**ACHTUNG !!!**  
 Vor dem Einbau des Vergasers,  
 Bedüsung kontrollieren.

**CAUTION !!!**  
 Before mounting the carburetor,  
 check the jetting.



Position	Part number	Description	Qty
1	47031001000	CARBURETOR KEIHIN PWK 28 2003	1
2	54631245000	STARTER PISTON CPL.	1
7	54531607038	IDLE JET 38 KEIHIN	0
7	54531607040	IDLE JET 40 KEIHIN	0

7	54531607042	IDLE JET 42 KEIHIN	0
7	54531607045	IDLE JET 45 KEIHIN	1
7	54531607048	IDLE JET 48 KEIHIN	0
7	54531607050	IDLE JET 50 KEIHIN	0
8	57331008000	ARM PIN FLOAT	1
9	47031009000	FLOAT CPL. PWK28 03	1
10	47031010000	FLOAT CHAMBER GASKET	1
11	47031011000	FLOAT CHAMBER PWK28 03	1
12	54531612100	RETAINING PLATE FOR BLEEDER	2
13	0770180230	O-RING 18,00X2,30 NBR 70	1
14	54531699000	PLUG M 18X1	1
15	54531615000	SPRING FOR ADJUSTMENT SCREW	1
17	54531617000	ADJUSTMENT SCREW	1
18	54631118000	SPRING	1
19	54631219100	ADJUSTMENT SCREW M 5	1
20	47031020000	FLOAT NEEDLE CPL.	1
21	47031021000	NEEDLE JET	1
22	54531621000	CLAMP	1
23	54531623115	MAIN JET 115 KEIHIN	0
23	54531623118	MAIN JET 118 KEIHIN	0
23	54531623120	MAIN JET 120 KEIHIN	0
23	54531623122	MAIN JET 122 KEIHIN	0
23	54531623125	MAIN JET 125 KEIHIN	0
23	54531623128	MAIN JET 128 KEIHIN	0
23	54531623130	MAIN JET 130 KEIHIN	0
23	54531623132	MAIN JET 132 KEIHIN	0
23	54531623135	MAIN JET 135 KEIHIN	0
25	54531625000	ADJUSTMENT SCREW M 6X0,75	1
26	52031126000	HEXAGON NUT M 6X0,75 DIN0439	1
27	47031027000	CARBURETOR COVER PWK28 03	1
28	47031028000	CARBURETOR COVER GASKET PWK28	1
29	54531629000	CLIP FOR JET NEEDLE	1
30	47031030000	THROTTLE VALVE SPRING	1
31	47031031000	SPRING CAP	1
34	47031034000	JET NEEDLE N5HG KEIHIN	1
34	47031034100	JET NEEDLE N5HF KEIHIN	0
34	47031034200	JET NEEDLE N5HH KEIHIN	0
35	47031035000	THROTTLE VALVE 3,5	1
37	52031137001	PVC-HOSE 3X5MM	0
38	31007007101	PVC-HOSE 4X6MM	2
40	0016040163	HH COLLAR SCREW M 4X16 WS=6	4
44	47031084000	PLASTIC-CLIP	1
46	54531696000	CLAMP 6 MM	5