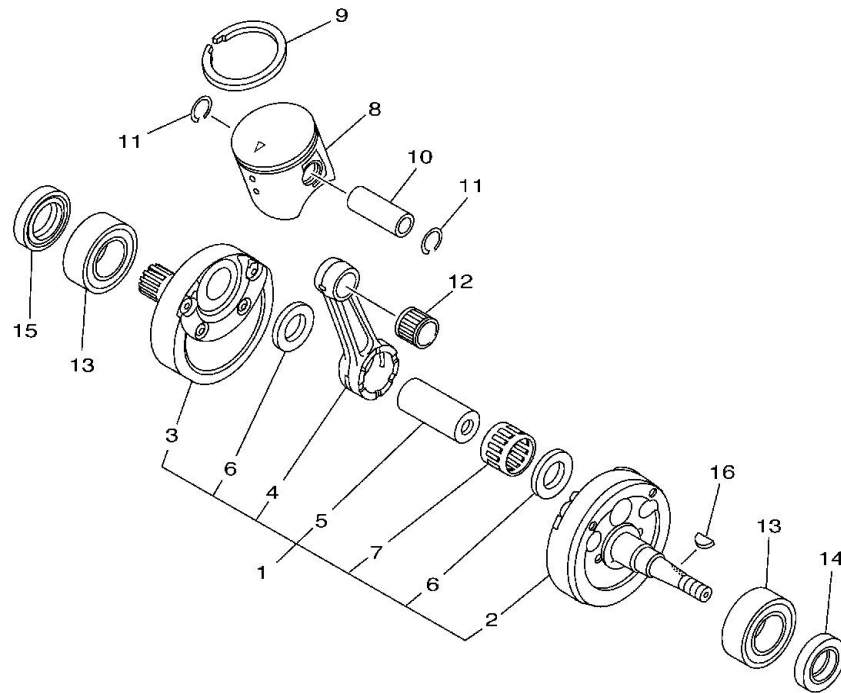


Fig. 03 CRANKSHAFT & PISTON



Ref. No.	Part No.	Description		Remarks
1	1C3-11400-20	CRANKSHAFT ASSY	1	
2	1C3-11410-10	. CRANKSHAFT	1	
3	1C3-11420-20	. CRANKSHAFT	1	
4	1C3-11651-00	. ROD, CONNECTING	1	
5	3JD-11681-10	. PIN, CRANK 1	1	
<hr/>				
6	90209-22326	. WASHER	2	
7	93310-52238	. BEARING	1	
8	1C3-11631-03-A0	PISTON (STD)	1	UR RED
	1C3-11631-03-B0	PISTON (STD)	1	UR ORANGE
	1C3-11631-03-C0	PISTON (STD)	1	UR GREEN
<hr/>				
	1C3-11631-03-D0	PISTON (STD)	1	UR PURPLE
9	5NY-11611-00	RING, PISTON	1	
10	1C3-11633-00	PIN, PISTON	1	
11	93450-16068	CIRCLIP	2	
12	93310-21510	BEARING	1	
<hr/>				
13	93306-37204	BEARING	2	KOYO
14	93102-20485	OIL SEAL	1	
15	93102-22419	OIL SEAL	1	
16	90280-03045	KEY, WOODRUFF	1	
<hr/>				
<hr/>				



5NY1100-A030