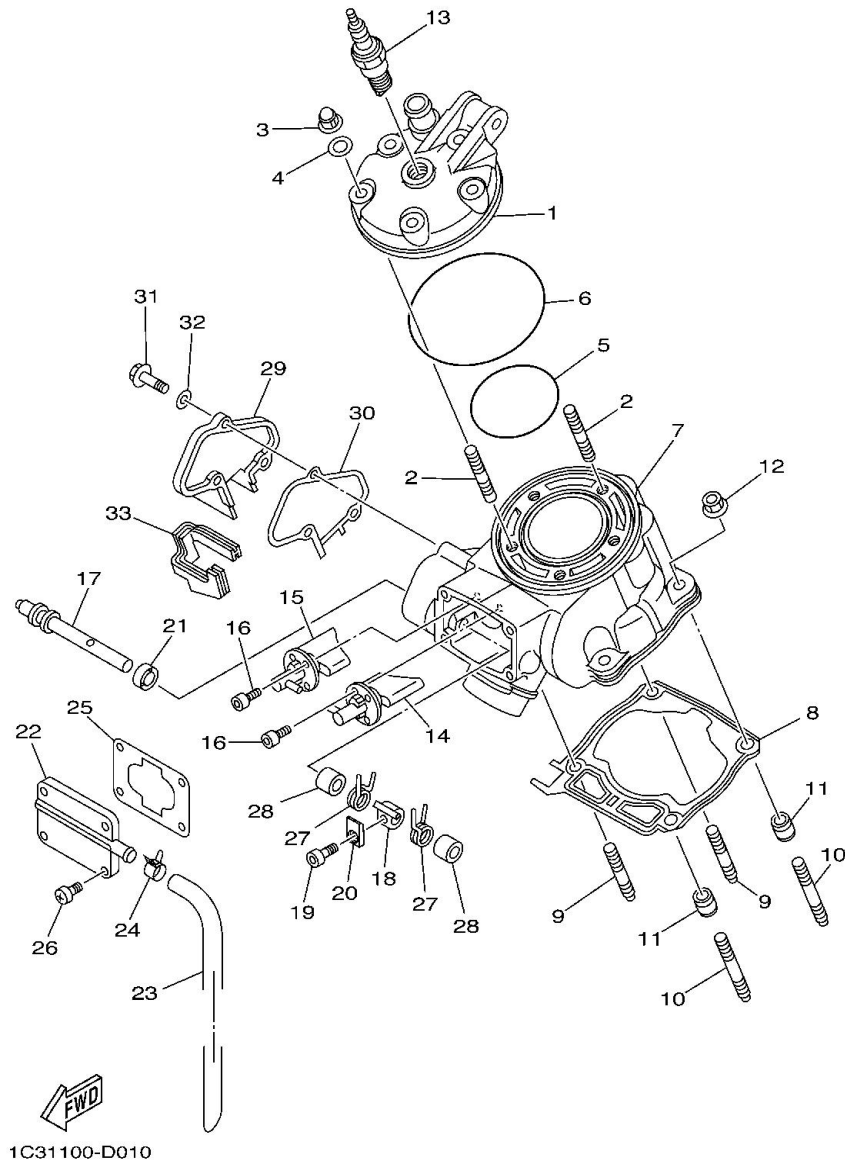
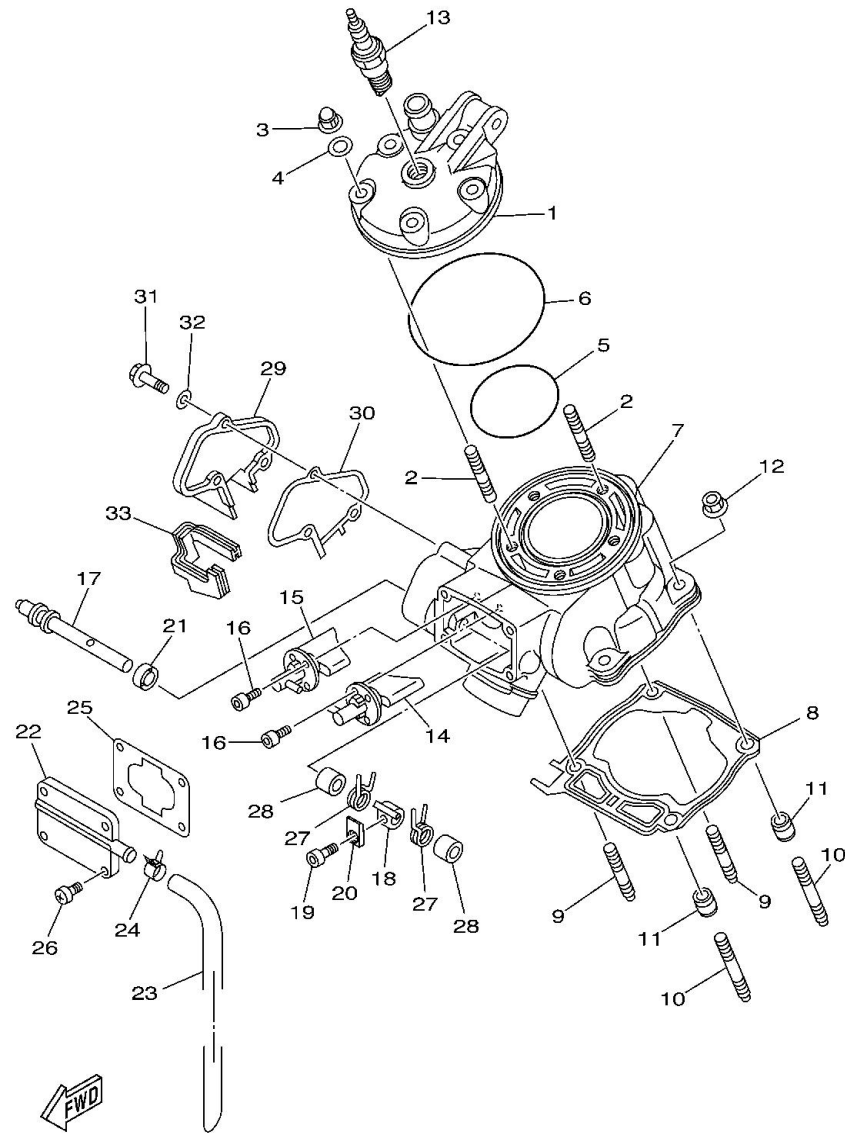


Fig. 01 CYLINDER HEAD



Ref. No.	Part No.	Description		Remarks
1	1C3-11111-11	HEAD, CYLINDER 1	1	
2	90116-08027	BOLT, STUD	5	
3	90176-08005	NUT, CROWN	5	
4	90201-080L8	WASHER, PLATE	5	
5	93210-63442	O-RING	1	
6	93210-90785	O-RING	1	
7	1C3-11311-20	CYLINDER 1	1	
8	1C3-11351-00	GASKET, CYLINDER	1	
9	90116-08031	BOLT, STUD	2	
10	90116-08028	BOLT, STUD	2	
11	99590-10114	PIN, DOWEL	2	
12	90179-08019	NUT	4	
13	94702-00193	PLUG, SPARK (NGK BR9EVX)	1	
14	1C3-1131D-01	VALVE ASSY	1	
15	1C3-1132D-01	VALVE ASSY 2	1	
16	91312-05012	BOLT	4	
17	5HD-1131V-00	SHAFT 1	1	
18	4SS-11832-00	LEVER, LINK	1	
19	91312-04010	BOLT	1	
20	5UN-11395-00	HOLDER	1	
21	93104-08040	OIL SEAL	1	
22	4SS-1131M-01	COVER	1	
23	4JY-11166-00	PIPE, BREATHER 1	1	
24	90467-13062	CLIP	1	
25	1C3-11354-00	GASKET	1	
26	98902-05016	SCREW, BIND	4	
27	90508-16134	SPRING, TORSION	2	

Fig. 01 CYLINDER HEAD



1C31100-D010

Ref. No.	Part No.	Description		Remarks
28	90387-08785	COLLAR	2	
29	1C3-11992-00	HOUSING 2	1	
30	1C3-11993-00	GASKET	1	
31	97002-05016	BOLT	3	
32	92902-05600	WASHER, PLATE	3	
<hr style="border-top: 1px dashed black;"/>				
33	1C3-11995-00	SEAL, HOUSING	1	
<hr style="border-top: 1px dashed black;"/>				
<hr style="border-top: 1px dashed black;"/>				
<hr style="border-top: 1px dashed black;"/>				
<hr style="border-top: 1px dashed black;"/>				
<hr style="border-top: 1px dashed black;"/>				
<hr style="border-top: 1px dashed black;"/>				
<hr style="border-top: 1px dashed black;"/>				
<hr style="border-top: 1px dashed black;"/>				
<hr style="border-top: 1px dashed black;"/>				