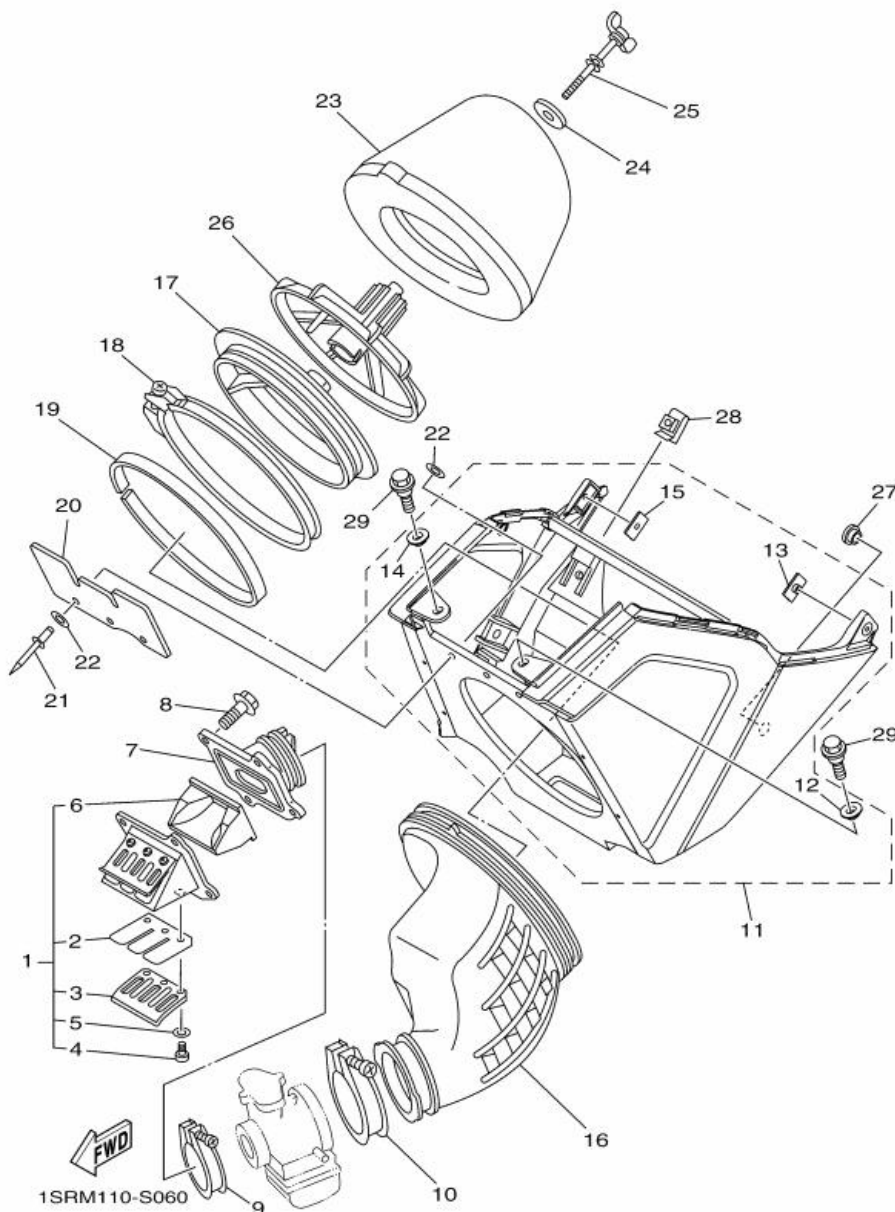
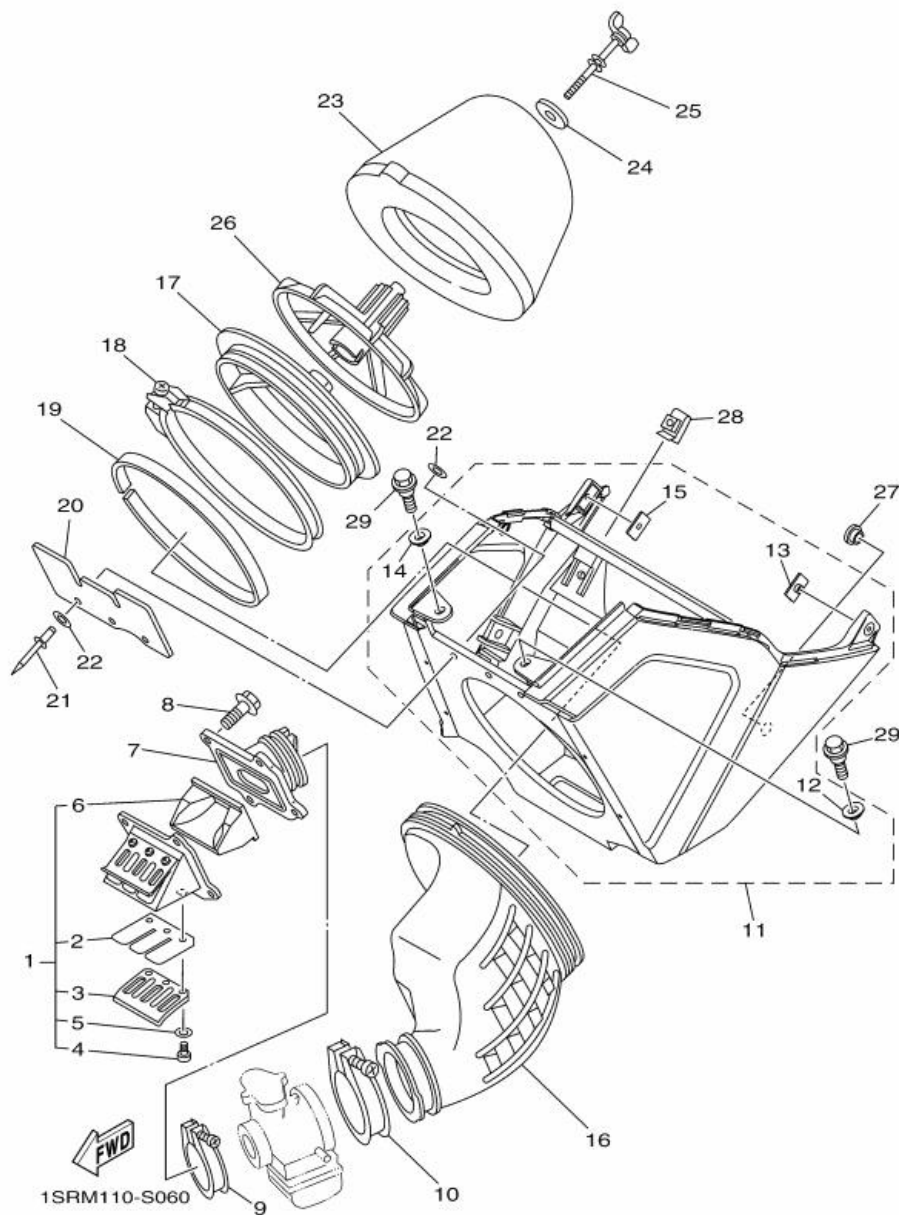


Fig. 06 INTAKE



Ref. No.	Part No.	Description		Remarks
1	1C3-13610-20	REED VALVE ASSY	1	
2	5UN-13613-00	. REED, VALVE	2	
3	5MV-13616-10	. STOPPER, REED VALVE	2	
4	98502-03006	. SCREW, PAN HEAD	6	
5	92902-03100	. WASHER	6	
6	1C3-13625-10	. SPACER, REED VALVE	1	
7	1C3-13565-00	JOINT, CARBURETOR	1	
8	95022-06020	BOLT, FLANGE	4	
9	90450-54007	HOSE CLAMP ASSY	1	
10	90450-70002	HOSE CLAMP ASSY	1	
11	1SS-14401-00	AIR CLEANER CASE ASSY	1	
12	17D-14449-00	. COLLAR	1	
13	5XE-21635-10	. NUT, REAR FENDER	1	
14	17D-14449-00	. COLLAR	1	
15	5XE-21635-10	. NUT, REAR FENDER	1	
16	1C3-14453-10	JOINT, AIR CLEANER 1	1	
17	5NY-14459-00	HOLDER, GUIDE	1	
18	5NY-14455-20	BAND	1	
19	5NY-14442-00	SPACER	1	
20	5NY-14417-00	COVER 1	1	
21	90267-32070	RIVET, BLIND	3	
22	90201-03313	WASHER, PLATE	6	
23	4XM-14451-00	ELEMENT, AIR CLEANER	1	
24	90209-06096	WASHER	1	
25	90122-06005	BOLT, WING	1	
26	3JD-14458-01	GUIDE	1	
27	90480-10M28	GROMMET	1	

Fig. 06 INTAKE



Ref. No.	Part No.	Description		Remarks
	28 90183-06023	NUT, SPRING	2	
	29 90105-06170	BOLT, FLANGE	2	

